

The USB2-4COMi-SI-TB USB to quad industrial serial adapter is designed to make RS-422 and RS-485 port expansion quick and simple.

Connecting to a USB port on your computer or USB hub, the USB to industrial serial adapter instantly adds four RS-232/422/485 multi-electrical interface serial communication ports to your system. By taking advantage of the Plug-and-Play, and Hot-Plug features of the USB bus, the USB2-4COMi-SI-TB industrial serial adapter makes it easier than ever to add 4 industrial communication ports to your system.



By plugging the USB quad industrial serial adapter to the USB port, the adapters are automatically detected and installed. There are no IRQ & COM port conflicts, since the port doesn't require any additional IRQ, DMA, memory as resources on the system. The RS-232 or RS-422/485 port functions as a native Windows COM port, and it is compatible with Windows serial communication applications. Each port is individually configurable. The adapter is designed with external switches to set RS-232, RS-422, or RS-485 ports and different operation modes conveniently.

The USB2-4COMi-SI-TB supports 3,000 Volt DC optical isolation, 15KV ESD protection, and 600W surge protection for all serial signals.

Specifications & Features

- Supports USB 1.1 and USB 2.0 transfer speeds from 1.5 up to 480 Mbps, automatic link and speed detection.
- Adds four high-speed RS-232/422/485 serial ports via USB connection.
- 2K byte receive buffer.
- 2K byte transmit buffer for high speed data throughput.
- Requires no IRQ, DMA, I/O port.
- Data rates: 300 bps to 921.6K bps.
- Each serial port supports 5-pin screw-lock-type terminal block connector.
- Auto-transmit buffer control for 2-wire RS-485 half-duplex operation.
- Biasing and Termination resistors installed on-board.
- Supports RS-232 3-wire signals: RxD, TxD, GND
- Supports RS-422, RS-485 4-wire signals: TxD-, TxD+, RxD+, RxD-
- Supports RS-485 2-wire signals: data-, data+
- Monitor LEDs of TxD, RxD indicating port status
- Supports 3KV optical Isolation, 15KV ESD protection and 600W surge protection
- AC to DC-12V, 1A switching power supply included
- Virtual COM port drivers available for Windows 10, 8.1, 8, 7, Vista, 2003, 2000
- Industrial grade metal case with DIN-rail ears for Din-rail mounting.
- Chipset: FTDI FT4232H USB 2.0 to quad UART chip



USB2-4COMi-SI-TB Specification Table

Serial Ports	4-Port RS-232/422/485
RS-232 Signals	TxD, RxD, GND
RS-422 Signals	TxD-, TxD+, RxD+, RxD-
RS-485 Signals	TxD-, TxD+, RxD+, RxD-, GND (4 wire) Data-, Data+, GND (2 wire)
Connectors	Four 5-pin screw-lock-type terminal block connectors
Protection	15KV ESD protection, 600W surge protection, and 3000 Volt DC optical isolation for all serial signals
Chipset	FTDI FT4232H USB to quad UART chip

Environmental

Environment	
Operating Temperature	0°C to 60°C
Storage Temperature	-40°C to 85°C
Humidity	0 to 80% RH. Non-condensing
Safety Approvals	CE, FCC

Pin-out Information

The following information describes the 5-pin screw-lock-type-terminal block connector.



RS-232 Pin-out for 5-pin Screw-Lock-Type Terminal Block connector

Pin Name	Pin Type	Description
TxD- (Data-)	X	No Function
TxD+(Data+)	X	No Function
RxD+ (TxD)	Output	TxD : Transmit RS-232 Data
RxD- (RxD)	Input	RxD : Receive RS-232 Data
GND	Ground	GND : Signal Ground



RS-422 Pin-out for 5-Pin Screw-Lock-Type Terminal Block Connector

Pin Name	Pin Type	Description
TxD- (Data-)	Output	TxD- : Transmit RS-422 Data, negative polarity
TxD+(Data+)	Output	TxD+ : Transmit RS-422 Data, positive polarity
RxD+ (TxD)	Input	RxD+ : Receive RS-422 Data, positive polarity
RxD- (RxD)	Input	RxD- : Receive RS-422 Data, negative polarity
GND	Ground	GND : Signal Ground

RS-485 Full Duplex (4 Wire) Pin-out for 5-Pin Screw-Lock-Type Terminal Block Connector

Pin Name	Pin Type	Description
TxD- (Data-)	Output	TxD- : Transmit RS-485 Data, negative polarity
TxD+(Data+)	Output	TxD+ : Transmit RS-485 Data, positive polarity
RxD+ (TxD)	Input	RxD+ : Receive RS-485 Data, positive polarity
RxD- (RxD)	Input	RxD- : Receive RS-485 Data, negative polarity
GND	Ground	GND : Signal Ground

RS-485 Half Duplex (2 Wire) Pin-out for 5-Pin Screw-Lock-Type Terminal Block Connector

Pin Name	Pin Type	Description
TxD- (Data-)	Output/Input	Data- : Transmit/Receive RS-485 Data, negative polarity
TxD+(Data+)	Output/Input	Data+ : Transmit/Receive RS-485 Data, positive polarity
RxD+ (TxD)	X	No Function
RxD- (RxD)	X	No Function
GND	Ground	GND : Signal Ground

Power Output

The picture below shows a 2-pin screw-lock-type terminal block connector. It provides a lockable terminal power connector to supply 5V, 500mA power to external devices requiring power.



The table below shows the pin-out of the 2-pin terminal block for power output on the quad serial adapter.

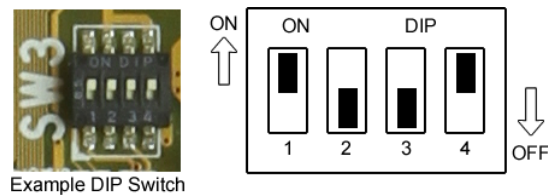
Pin Name	Pin Type	Description
+ 5V	Power Output	Supply DC + 5V, 500mA to each connected device
GND	Ground	GND : Signal Ground

Hardware Setting and Installation USB2-4COMi-SI-TB

There are four 4-pin DIP switches on the bottom of the metal case. The DIP switches are used to select the serial mode of operation. You'll need to open the bottom of the case by removing the protective metal plate to access and set the DIP switch settings to RS-232 mode, or RS422, or RS-485 mode as per the requirements of your application.

The operation mode configuration settings are listed as follows:

SW1 (Port-1), SW2 (Port-2), SW3 (Port-3), SW4 (Port-4)



	Operation Mode	In1	In2	In3	In4
RS-232	Standard RS-232 Mode	OFF	ON	ON	ON
RS-422	Full Duplex (4 wire)	ON	ON	ON	ON
RS-485	Full Duplex (4 Wire)	ON	OFF	ON	ON
	Half Duplex (2 Wire) - With Echo	ON	OFF	OFF	ON
	Half Duplex (2 Wire) - Without Echo	ON	OFF	OFF	OFF

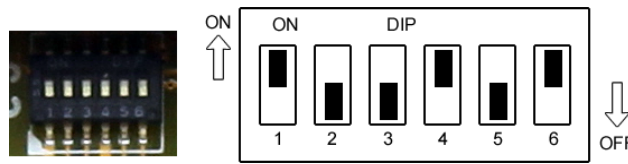
Enable Termination and Biasing for RS-422/485 Mode

There are four 6-pin DIP switches on the bottom of the metal case. The DIP switches are used to enable 120 Ohm termination resistors and 750 Ohm biasing resistors of TxD and RxD. To enable termination and biasing for RS-422/485 mode you'll need to open up the plate located at the bottom of the metal case and set the DIP switches to enable termination and biasing.



Settings below are listed as follows for termination and biasing resistors configuration options.

S1 (Port-1), S2 (Port-2), S3 (Port-3), S4 (Port-4)



DIP Switches		Function
Pin1	On	Pull-up TxD+ to VCC by 750 Ohm Bias resistor
	OFF	No Function
Pin2	ON	Enable TxD 120 Ohm termination resistor
	OFF	No Function
Pin3	ON	Pull-down TxD- to GND by 750 Ohm Bias resistor
	OFF	No Function
Pin4	ON	Pull-up RxD+ to VCC by 750 Ohm Bias resistor
	OFF	No Function
Pin5	ON	Enable RxD 120 Ohm termination resistor
	OFF	No Function
Pin6	ON	Pull-down RxD- to GND by 750 Ohm Bias resistor
	OFF	No Function

Note: Sometimes when operating in RS-422 or RS-485, it is necessary to configure termination and biasing of the data transmission lines. Generally this must be done in the cabling, since this depends on the installation of connections. Before applying the option, check you cable specification for proper impedance matching.

Proper Wiring for RS-422/485 Operation

This section will provide proper wiring information about RS-422 and RS-485 data communication. It is necessary to have the basic knowledge, to avoid or find errors in data transmission. Failures in Cabling are responsible for the vast majority of transmission problems.

RS-422 and RS-485 Transmission Technique

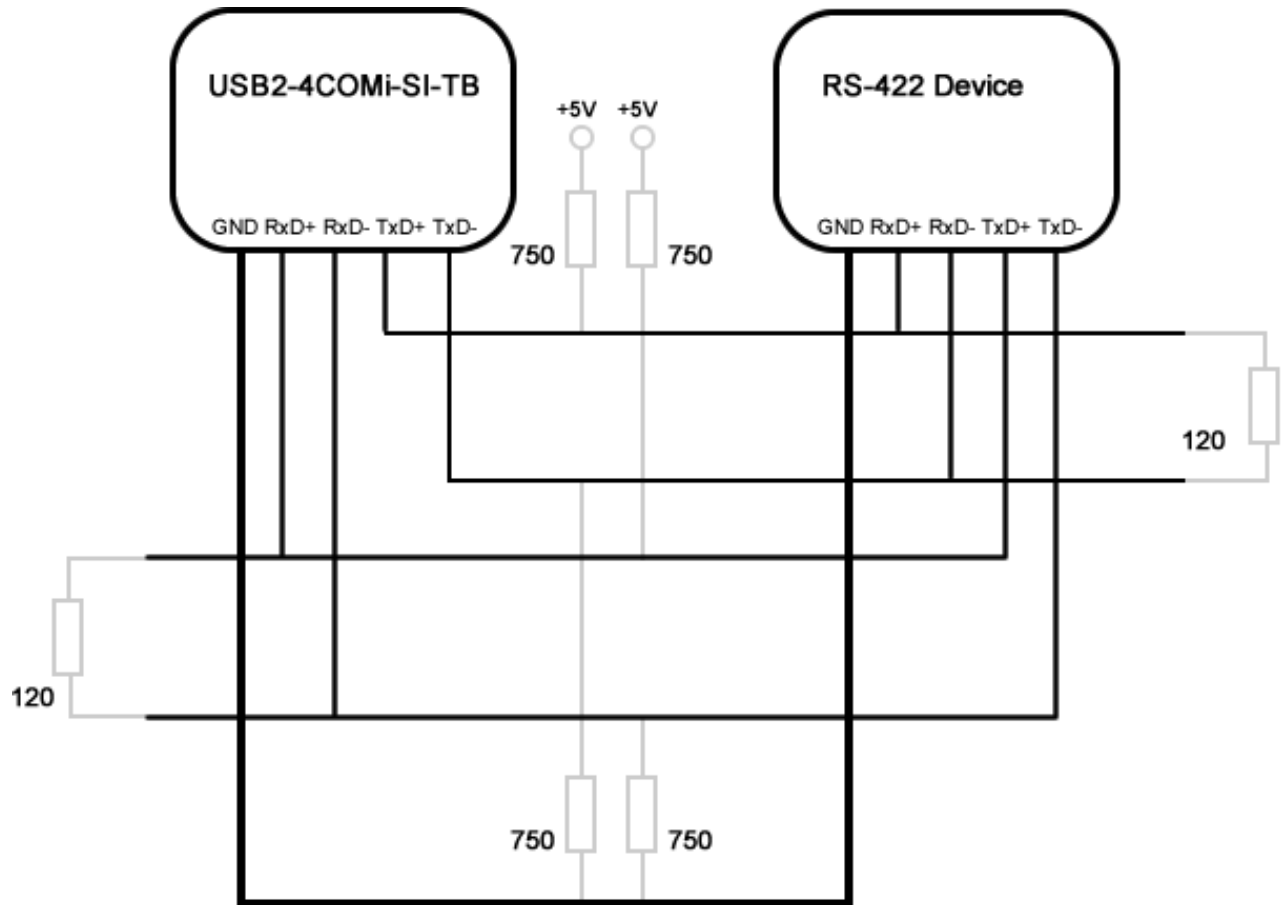
The RS-422 and RS-485 use the same balanced transmission method. Signals are not transmitted as voltage on a single wire, as RS-232 does. Instead two wires are used; when one carries high voltage, the other one carries low voltage. The signal is defined by the difference in voltage between those two wires. This hardens the transmission against noise. Usually twisted pair cables are used, which further reduces the sensitivity for noise.

To make sure the signals meet the common voltage range, the GND of sender and receiver must be connected somehow. To insure the signals are in the valid voltage range and the differential voltage can be correctly sensed by the receiver, the GND lines of the transmitter and receiver must be connected.



RS-422 signals connected

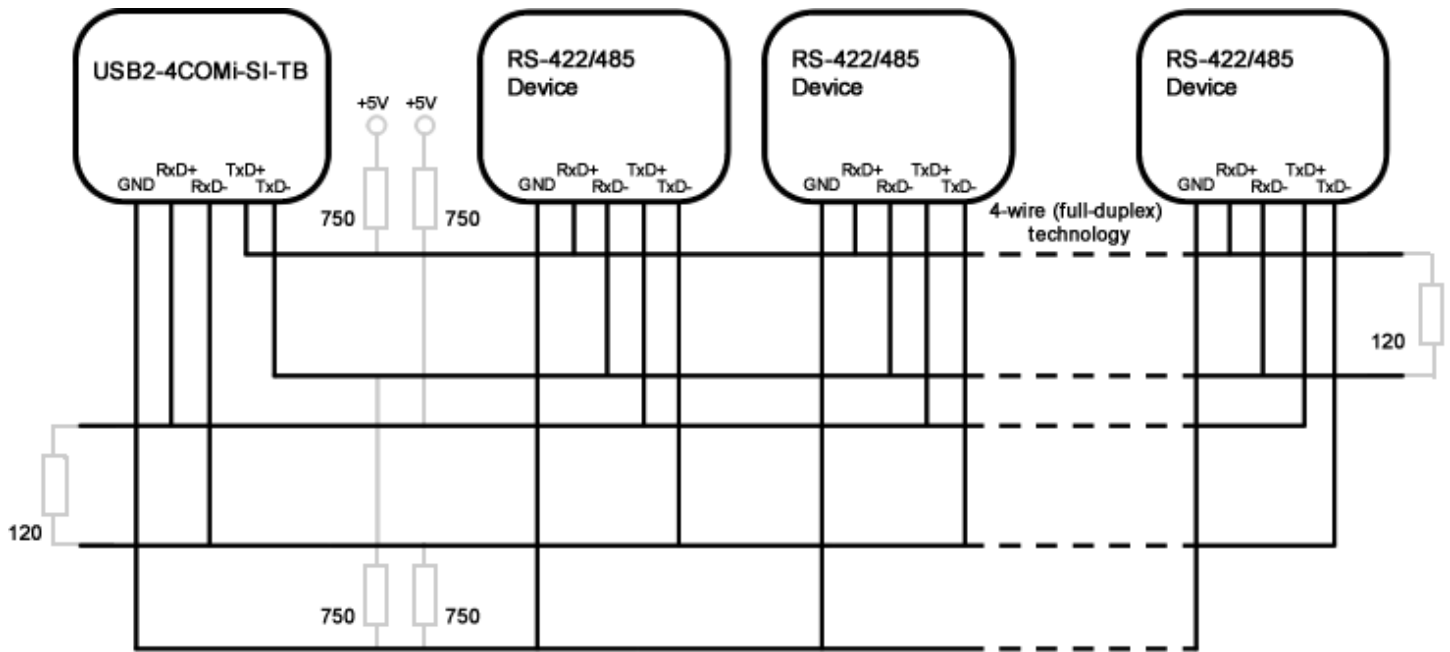
The following diagram shows RS-422 signals connected.



RS-422 and RS-485 4-Wire Scheme

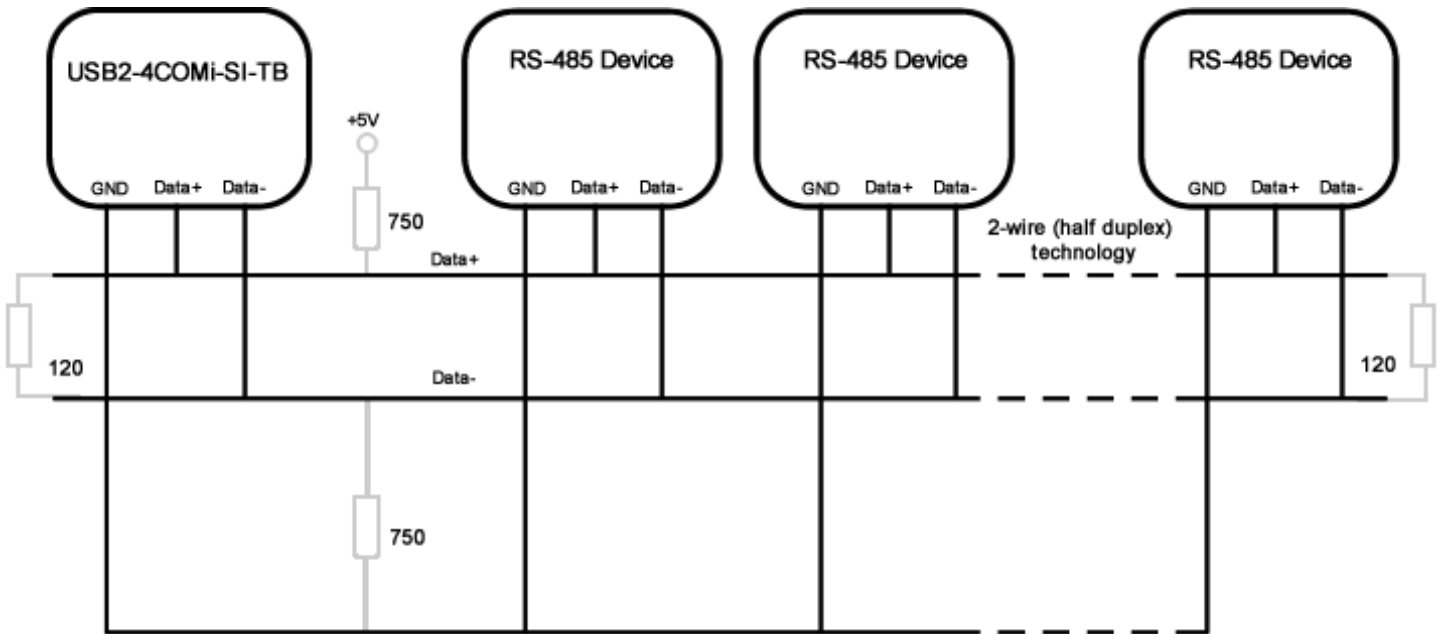
The RS-422 requires dedicated wire pairs for transmit and receive. The transmit wires are used to send data to as many as 10 receivers, as stated in the specifications of RS-422. Since the USB quad industrial serial adapter uses RS-485 line driver technology, up to 32 receivers are possible. The following diagram shows RS-422 and RS-485 4-wire scheme:





RS-485 2-Wire Scheme

The following diagram shows RS-485 2-Wire Scheme:



Windows Update

In most cases, the Windows driver of the USB quad industrial serial adapters will be installed from Windows Update website automatically.

Install in Windows 10, 8.1, 8, 7, Server 2012, 2008 R2

Connect your computer to Internet and plug the USB quad industrial serial adapter to the USB port. The driver will be installed automatically via Internet.

Install in Windows Server 2003 and 2008

Connect you computer to the Internet and plug the USB quad industrial serial adapter into the USB port, when asked to install the drivers, allow your computer to search the Internet to load and install the drivers from Windows Update website automatically.

Manual Windows Drivers Installation

If no suitable drivers are automatically found, then the following procedure should be followed.

Firstly, download the latest Windows driver of the USB quad industrial serial adapter from <http://www.ftdichip.com/FTDrivers.htm> , and save them to a known folder on the PC. The desktop can be used so that the driver folder can be easily located.

To locate that "Device Manager" on Windows, press the "Start" button and select "Control Panel" (right click "Start" button for Windows 10, 8.1)

