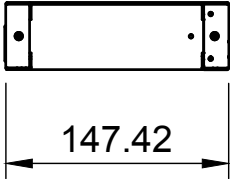
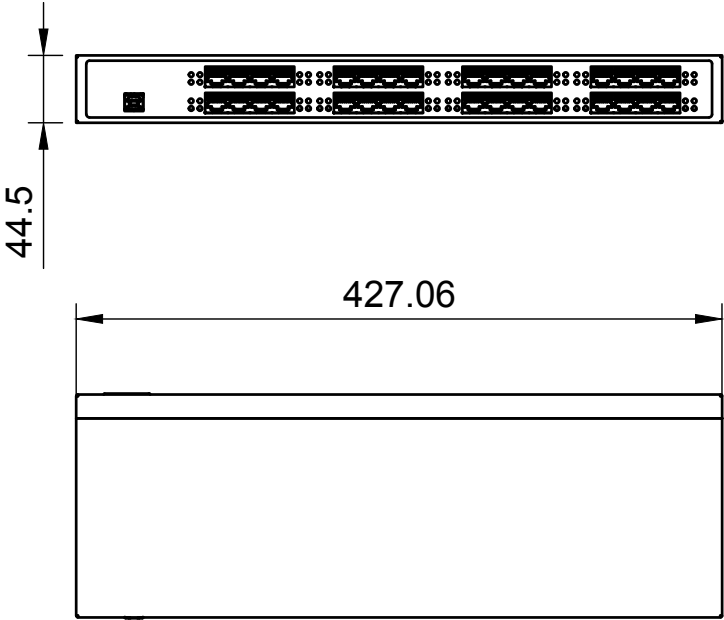



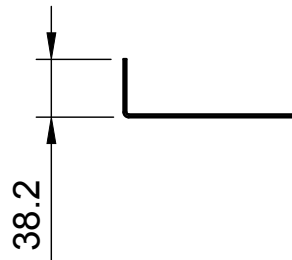
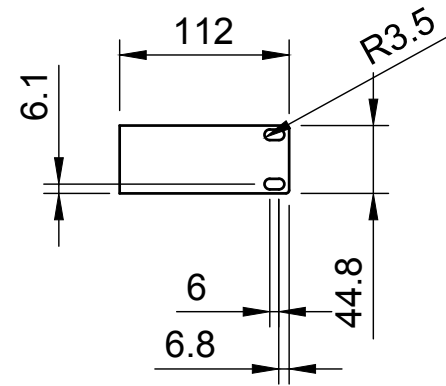
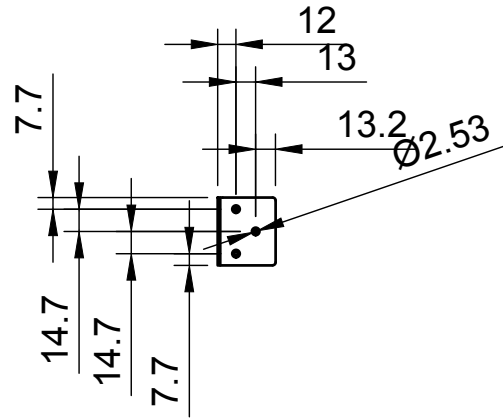
# Basic Measurements



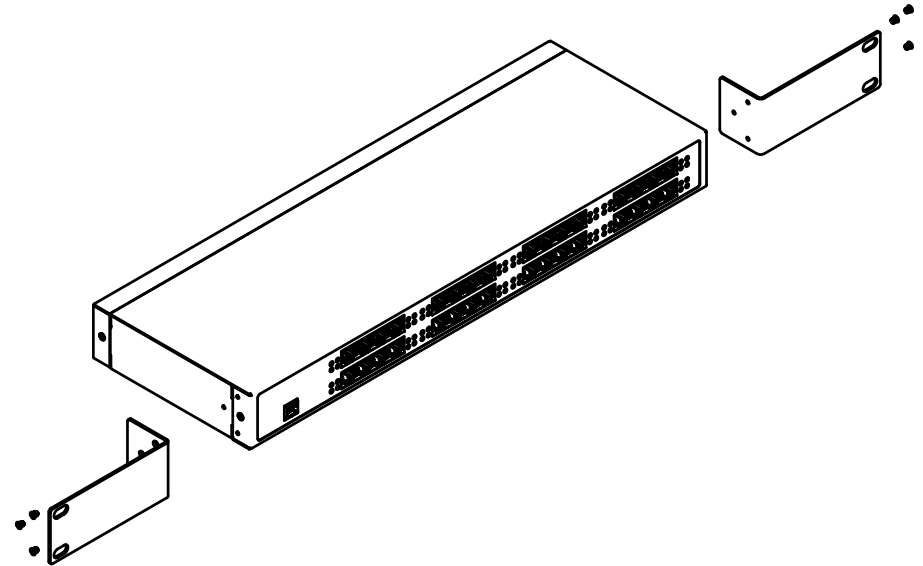
	Model #: <b>USB-32com-rm</b>	
	Drawn by: Leo Pinto	Scale: 1:5
Drawn Date: 9/16/21	Tolerance: +/- 0.15mm	
Notes:	Contact: support@coolgear.com	
	Web: coolgear.com	
	A4	1/3




### Accessories



### Exploded View



		Model #:	
		USB-32com-rm	
Drawn by: Leo Pinto		Scale: 1:5	Units: mm
Drawn Date: 9/16/21		Tolerance: +/- 0.15mm	
Notes:		Contact: support@coolgear.com	
		Web: coolgear.com	
		A4	3/3