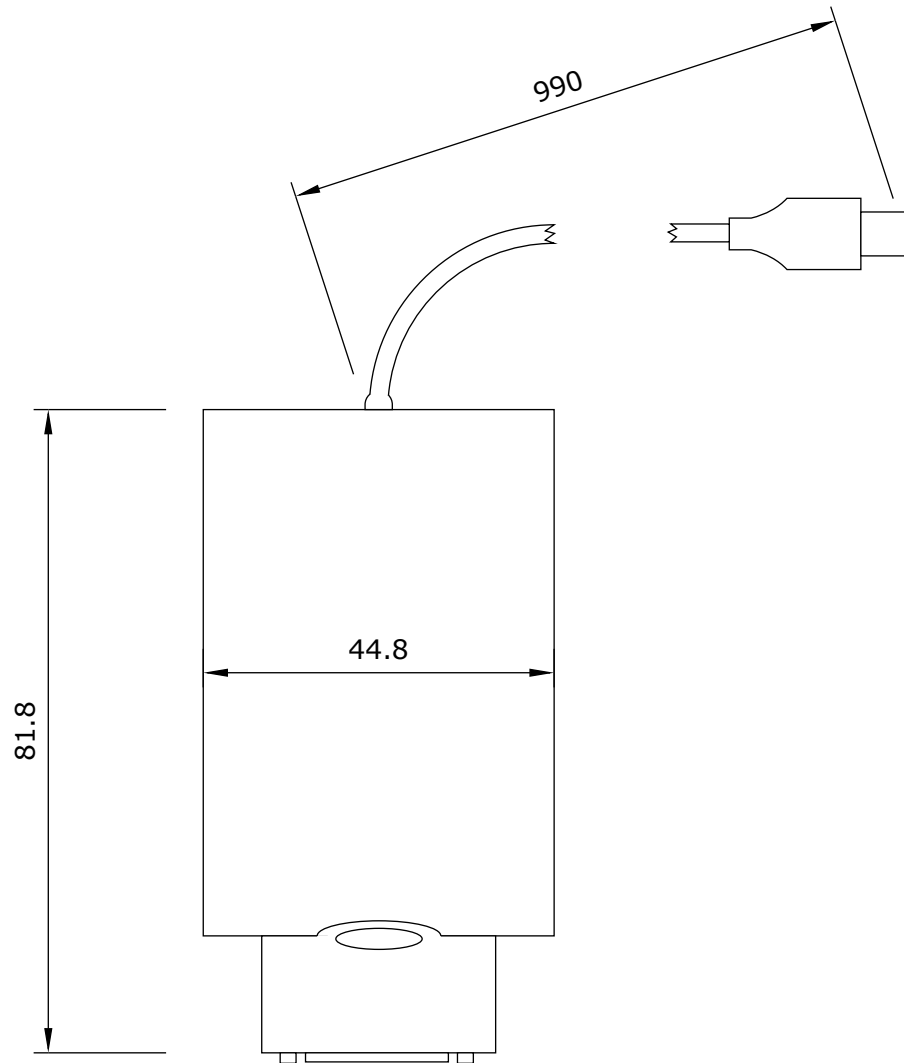
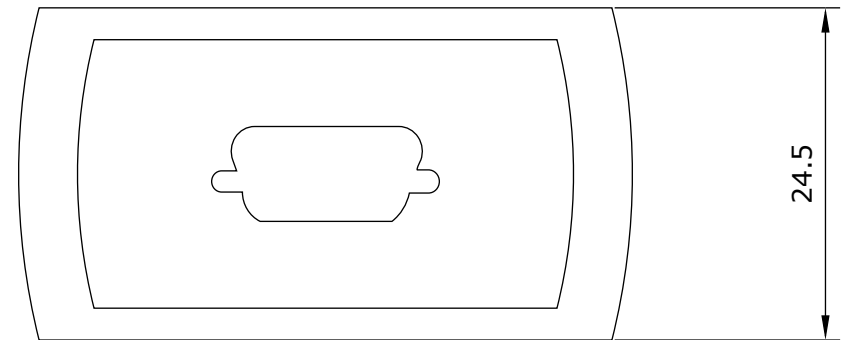



TOP



FRONT



		MODEL #:	USB-COMi+
		PAGE:	1 / 1
		NOTES:	
DRAW:		SCALE:	1mm = 1mm
DATE:	7/16/2016	TOLERANCE:	+/- 0.25 mm
UNIT:	mm	CONTACT:	support@coolgear.com
SITE:	coolgear.com		