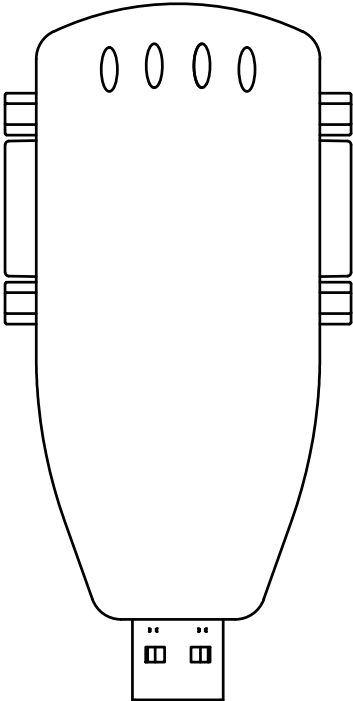
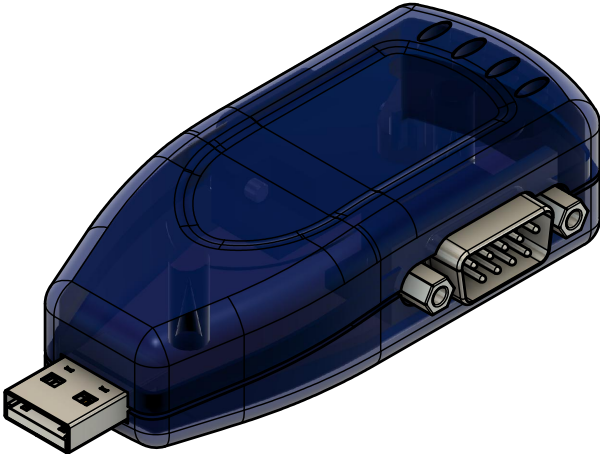
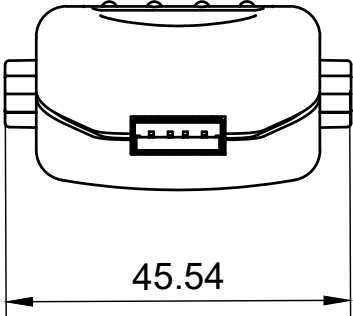
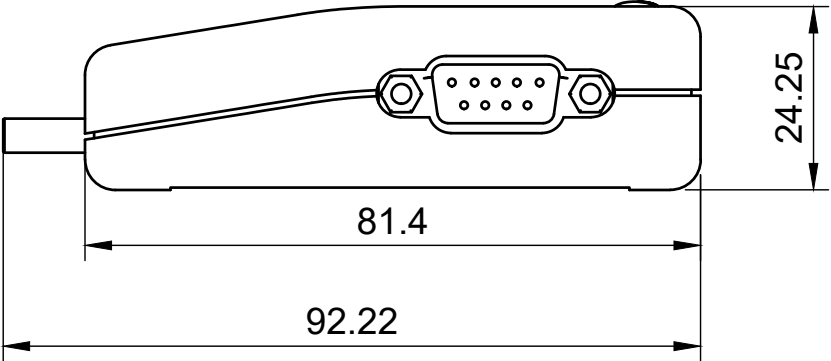

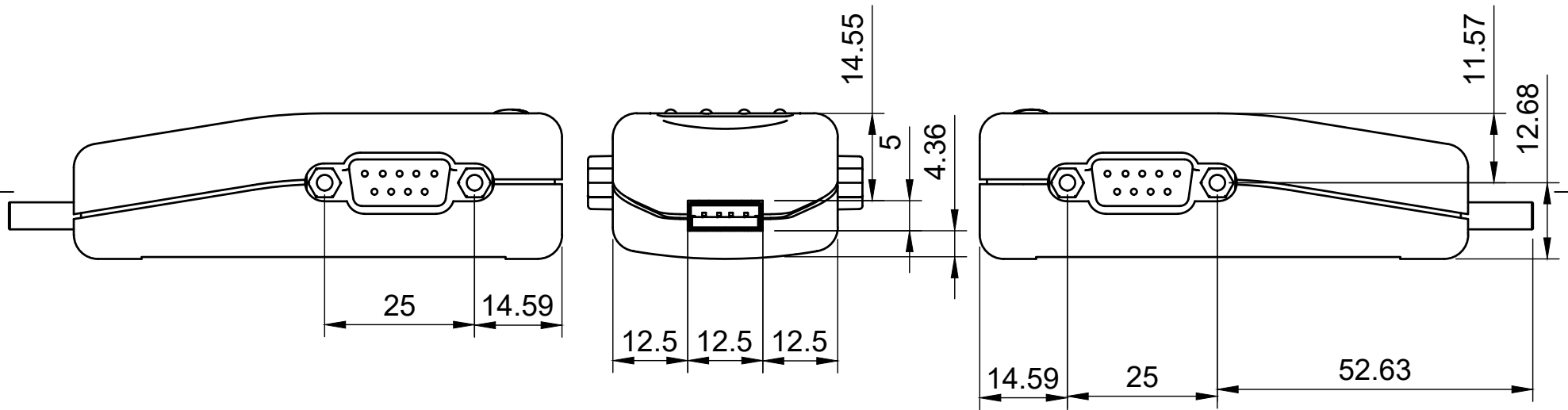
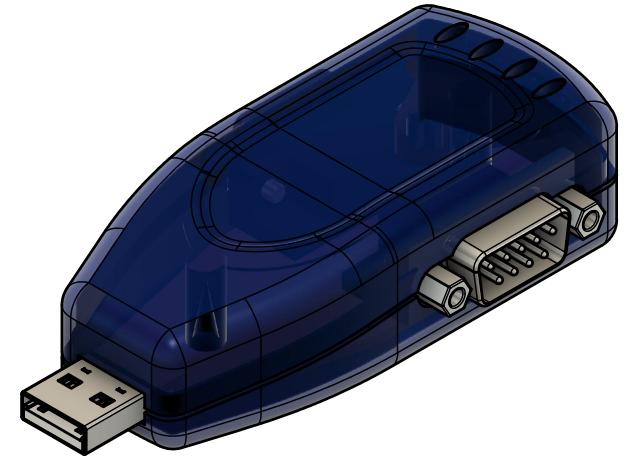



Basic Measurements



| | | |
|---|------------------------------|------------|
|  | Model #: USBG-232FT-1 | |
| | Drawn by: Leo Pinto | Scale: 1:1 |
| Drawn Date: 8/31/2021 | Tolerance: +/- 0.15mm | |
| Notes: | Contact: support@USBGear.com | |
| | Web: usbgear.com | |
| | A4 | 1/2 |

Port Detailed



| | | |
|---|------------------------------|-----------|
|  | Model #: | |
| | USBG-232FT-1 | |
| Drawn by: Leo Pinto | Scale: 1:1 | Units: mm |
| Drawn Date: 8/31/2021 | Tolerance: +/- 0.15mm | |
| Notes: | Contact: support@USBGear.com | |
| | Web: usbgear.com | |
| | A4 | 2/2 |