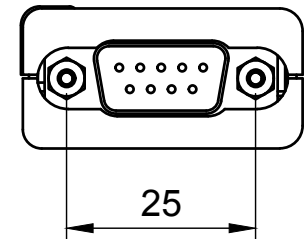
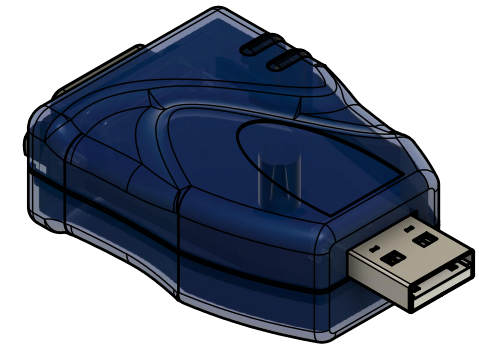
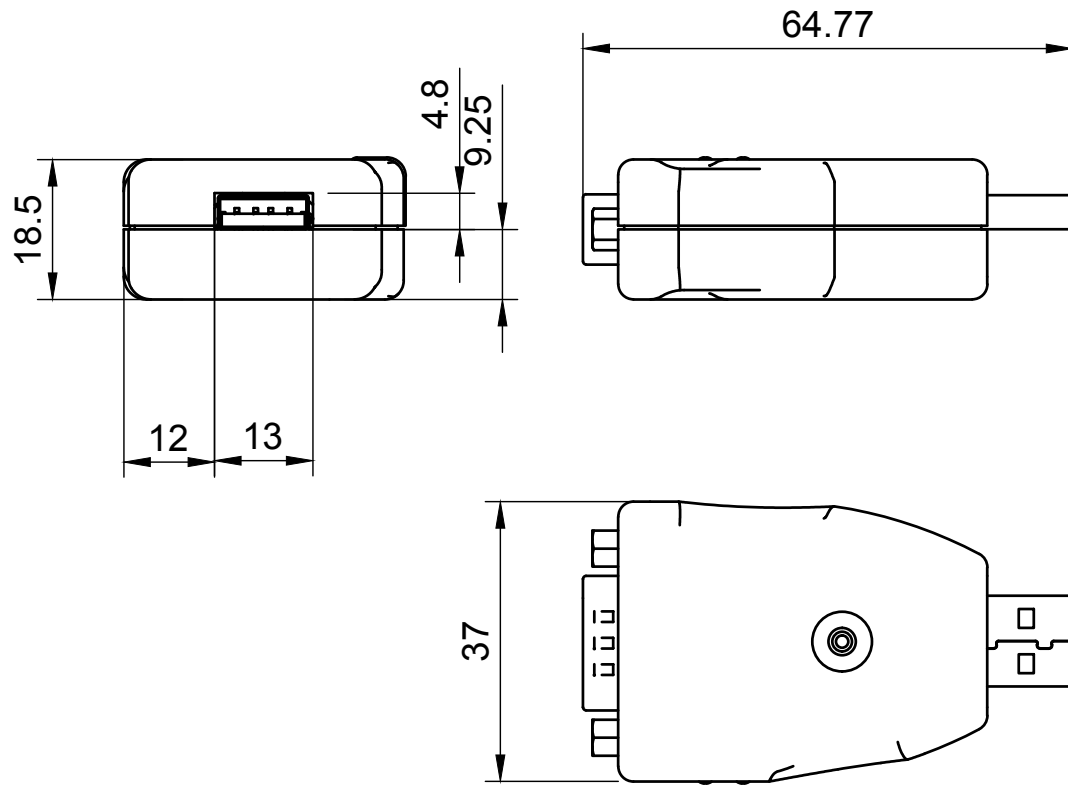



Basic Measurements
Port Detailed



| | | |
|---|------------------------------|------------|
|  | Model #: USBG-232mini | |
| | Drawn by: Leo Pinto | Scale: 1:1 |
| Drawn Date: 9/1/21 | Tolerance: +/- 0.15mm | |
| Notes: | Contact: support@USBGear.com | |
| | Web: usbgear.com | |
| | A4 | 1/1 |