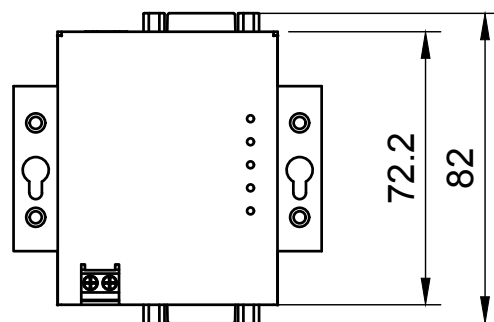
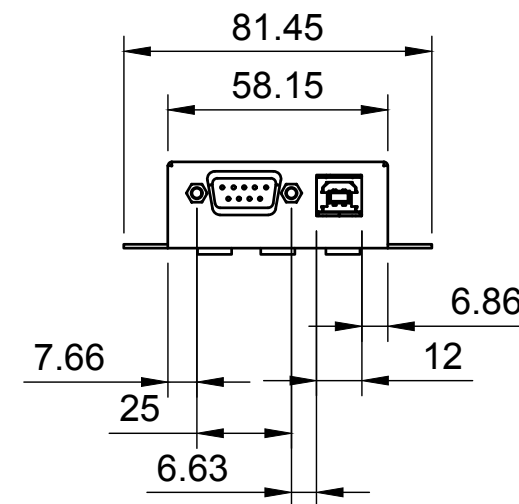
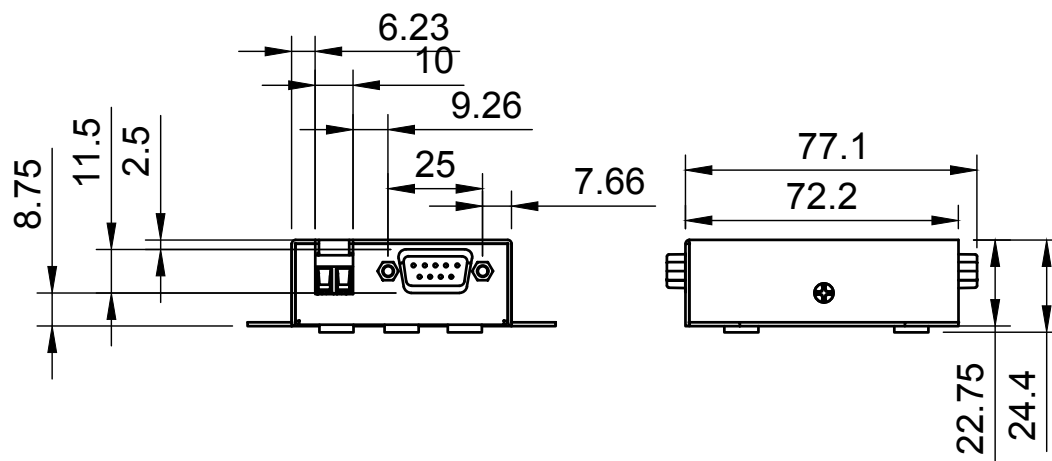

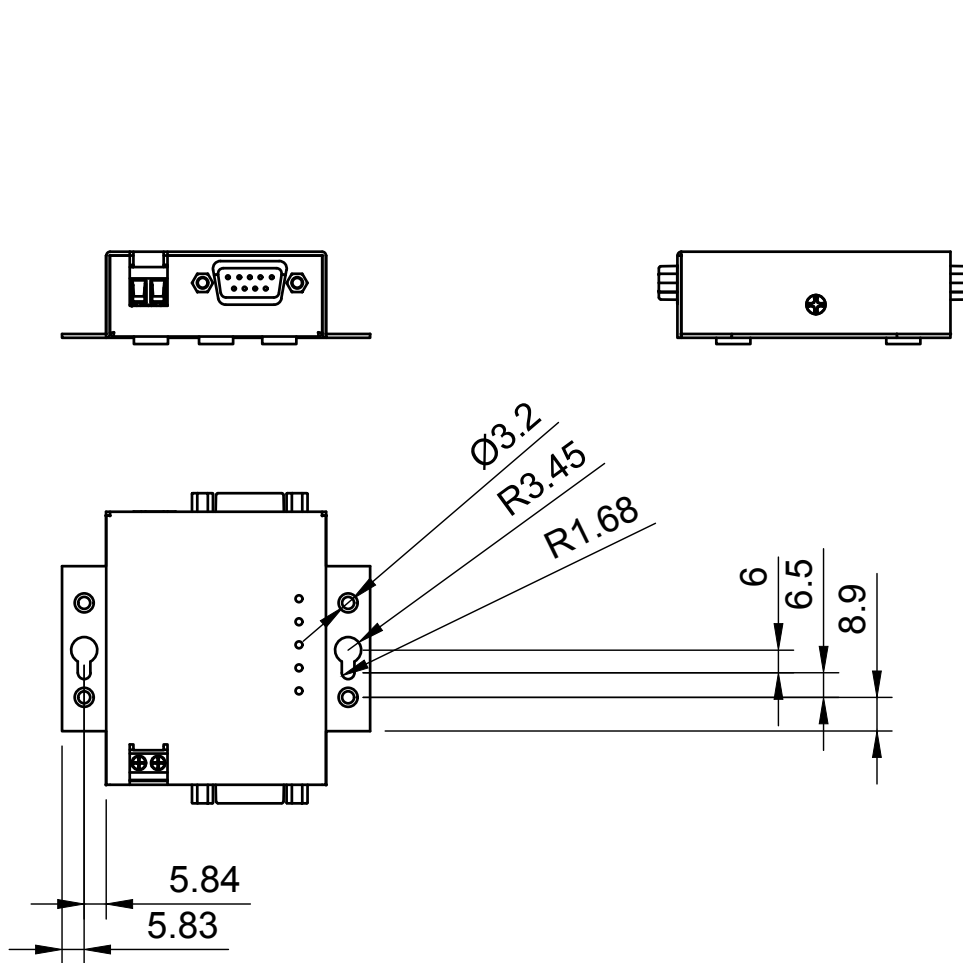



Basic Measurements
Detailed Port Measurements



		Model #:	
		USBG-2com-m	
Drawn by: Leo Pinto		Scale: 1:2	Units: mm
Drawn Date: 7/20/2021		Tolerance: +/- 0.15mm	
Notes:		Contact: support@coolgear.com	
		Web: coolgear.com	
		A4	1/2

Mounting Holes Measurements



		Model #:	
		USBG-2com-m	
Drawn by: Leo Pinto		Scale: 1:2	Units: mm
Drawn Date: 7/20/2021		Tolerance: +/- 0.15mm	
Notes:		Contact: support@coolgear.com	
		Web: coolgear.com	
		A4	2/2