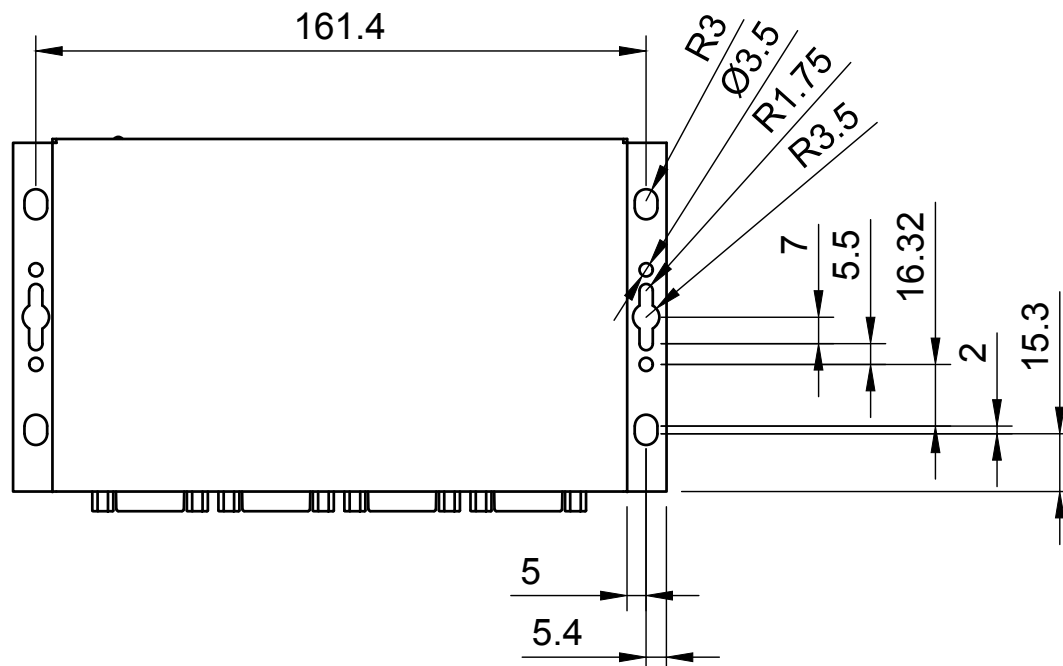
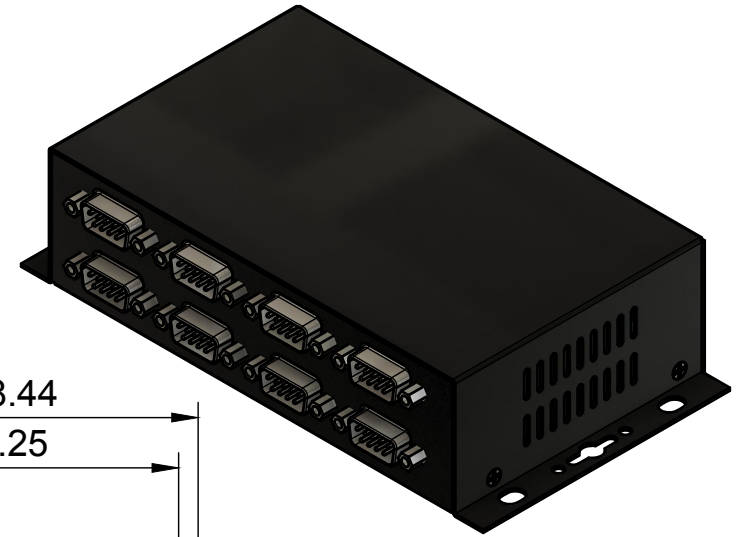
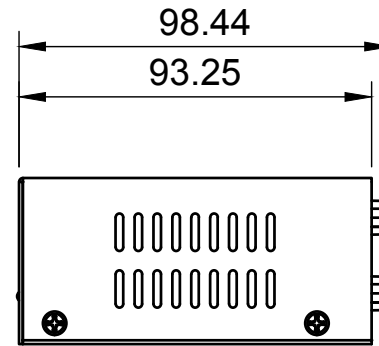
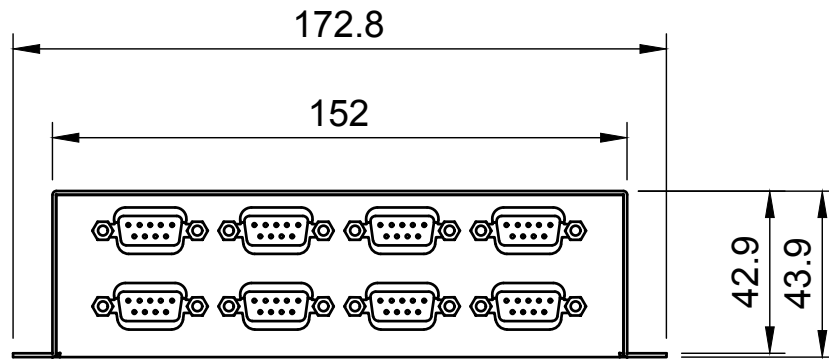

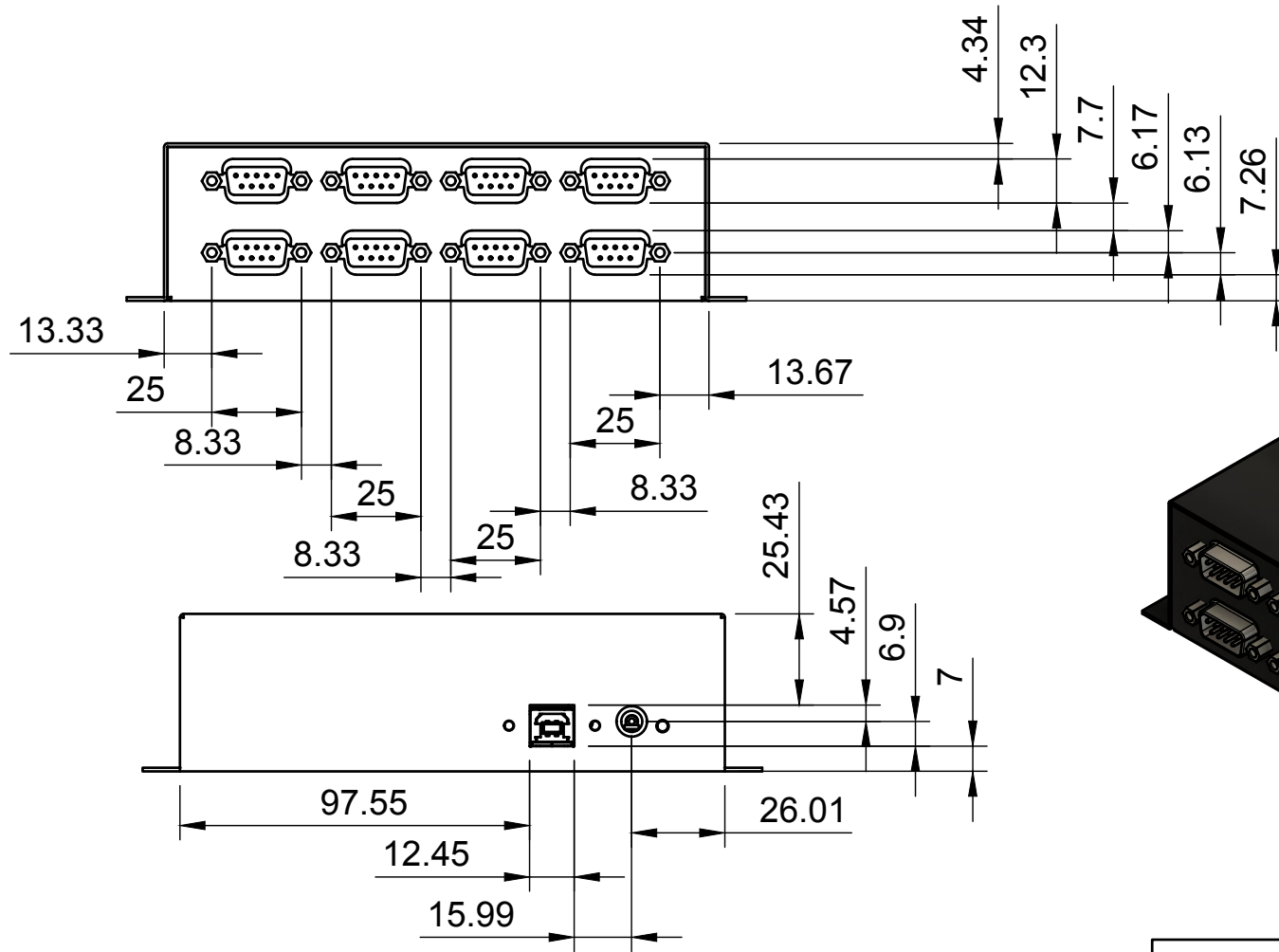



Basic Measurements
Mounting Holes



		Model #:	
		USBG-8com-m	
Drawn by: Leo Pinto	Scale: 1:2	Units: mm	
Drawn Date: 8/30/21	Tolerance: +/- 0.15mm		
Notes:	Contact: support@coolgear.com		
	Web: coolgear.com		
	A4	1/2	

Ports detailed



		Model #:	
		USBG-8com-m	
Drawn by: Leo Pinto	Scale: 1:2	Units: mm	
Drawn Date: 8/30/21	Tolerance: +/- 0.15mm		
Notes:	Contact: support@coolgear.com		
	Web: coolgear.com		
	A4	2/2	