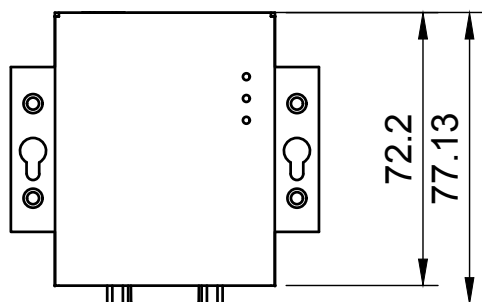
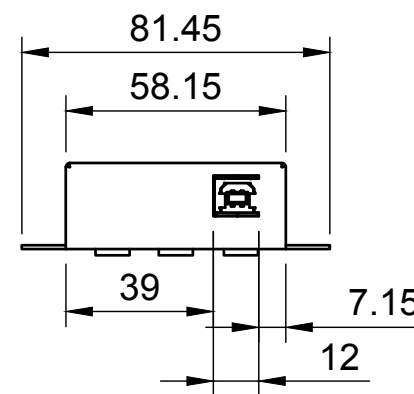
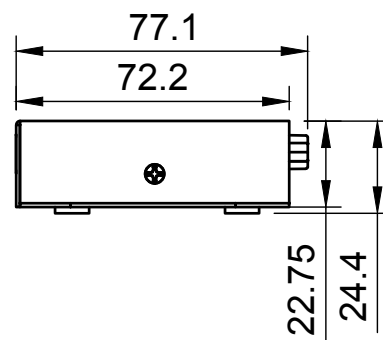
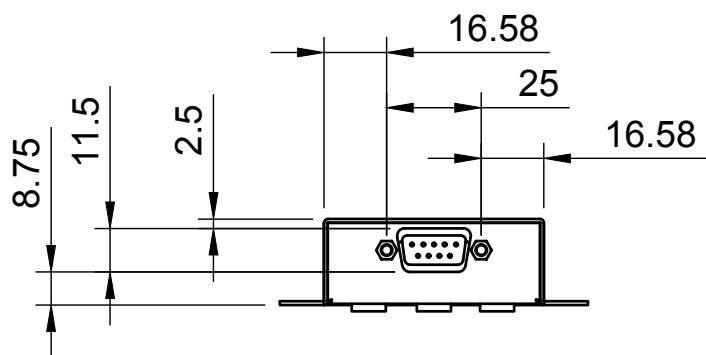

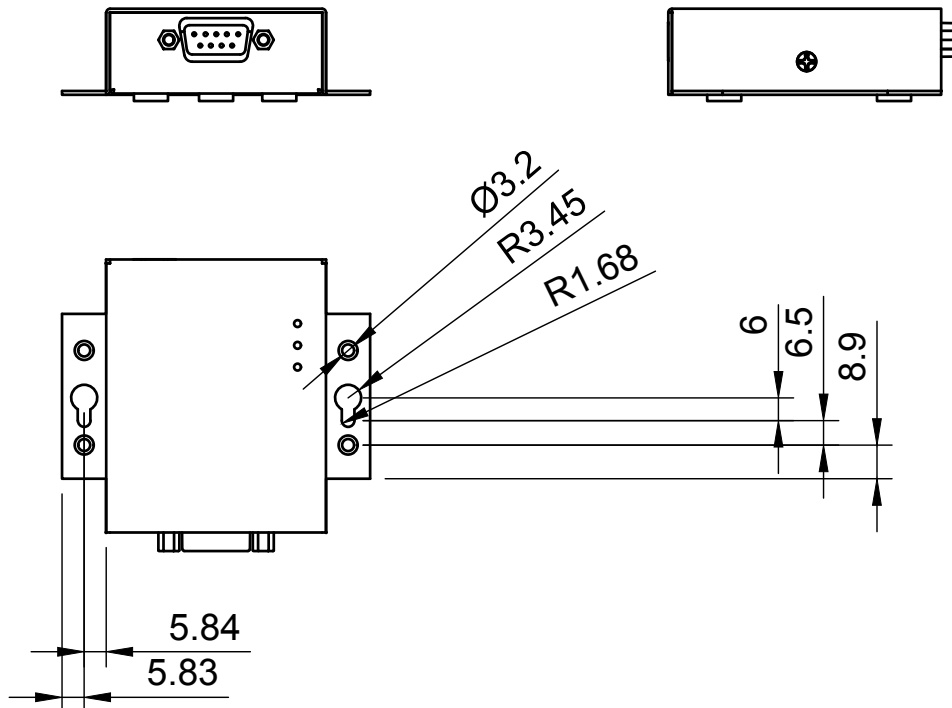



Basic Measurements
Detailed Port Measurements



	Model #:	
	USBG-Com-m	
Drawn by: Leo Pinto	Scale: 1:2	Units: mm
Drawn Date: 8/5/2021	Tolerance: +/- 0.15mm	
Notes:	Contact: support@coolgear.com	
	Web: coolgear.com	
	A4	1/2

Mounting Holes Measurements



		Model #:	
		USBG-Com-m	
Drawn by: Leo Pinto	Scale: 1:2	Units: mm	
Drawn Date: 8/5/2021	Tolerance: +/- 0.15mm		
Notes:	Contact: support@coolgear.com		
	Web: coolgear.com		
	A4	2/2	