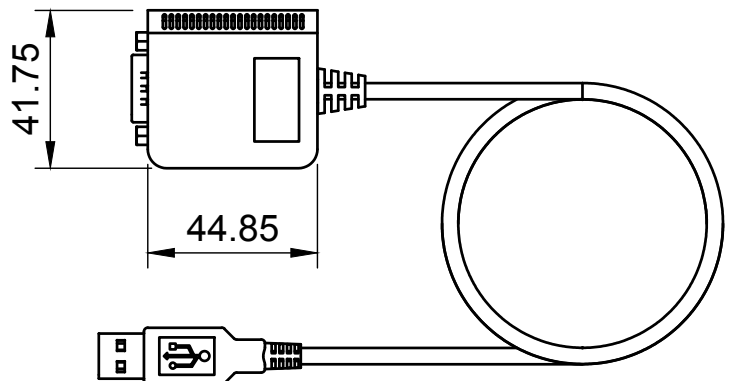
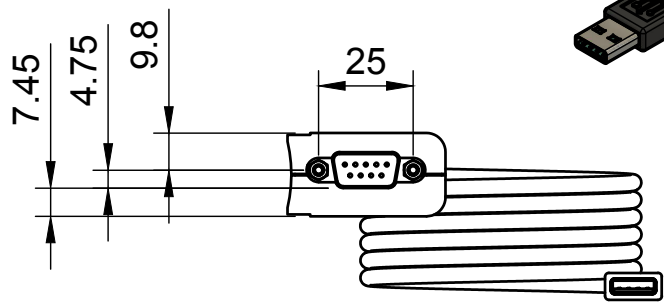
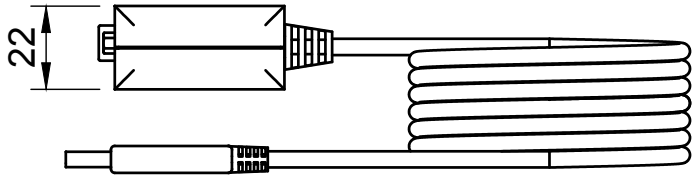
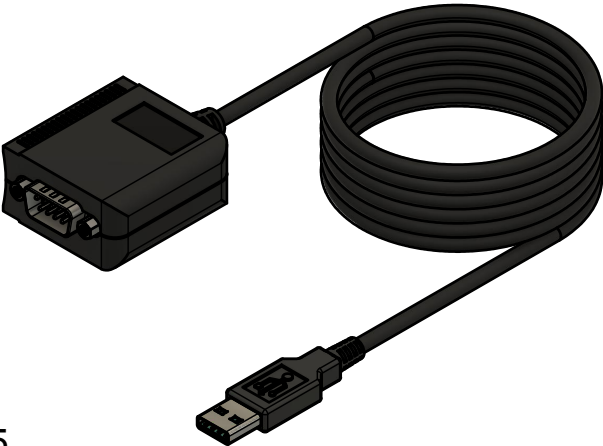

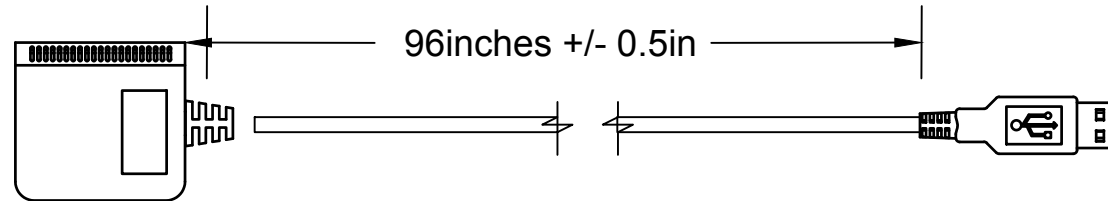



Basic Measurements
Port Detailed



| | | | |
|---|--|-------------------------------|-----------|
|  | | Model #: | |
| | | USBG-SSRS1 | |
| Drawn by: Leo Pinto | | Scale: 1:2 | Units: mm |
| Drawn Date: 9/9/2021 | | Tolerance: +/- 0.15mm | |
| Notes: | | Contact: support@coolgear.com | |
| | | Web: coolgear.com | |
| | | A4 | 1/2 |

Cord Length



| | | |
|---|-------------------------------|------------------------|
|  | Model #: USBG-SSRS1 | |
| | Drawn by: Leo Pinto | Scale: 1:2 Units: mm |
| Drawn Date: 9/9/2021 | Tolerance: +/- 0.15mm | |
| Notes: | Contact: support@coolgear.com | |
| | Web: coolgear.com | |
| | A4 | 2/2 |