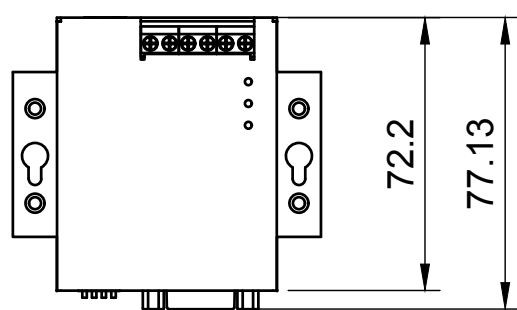
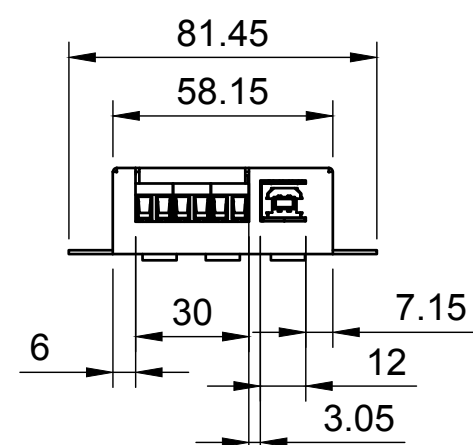
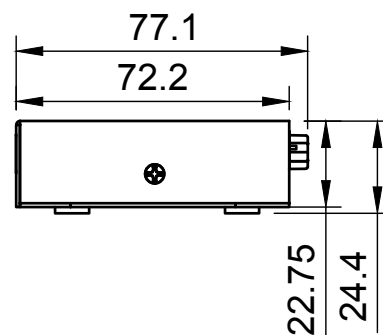
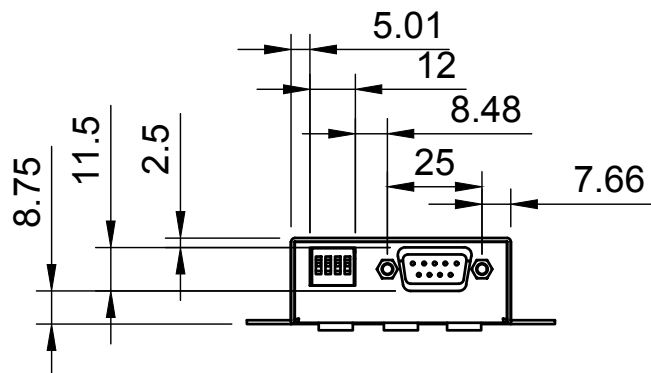

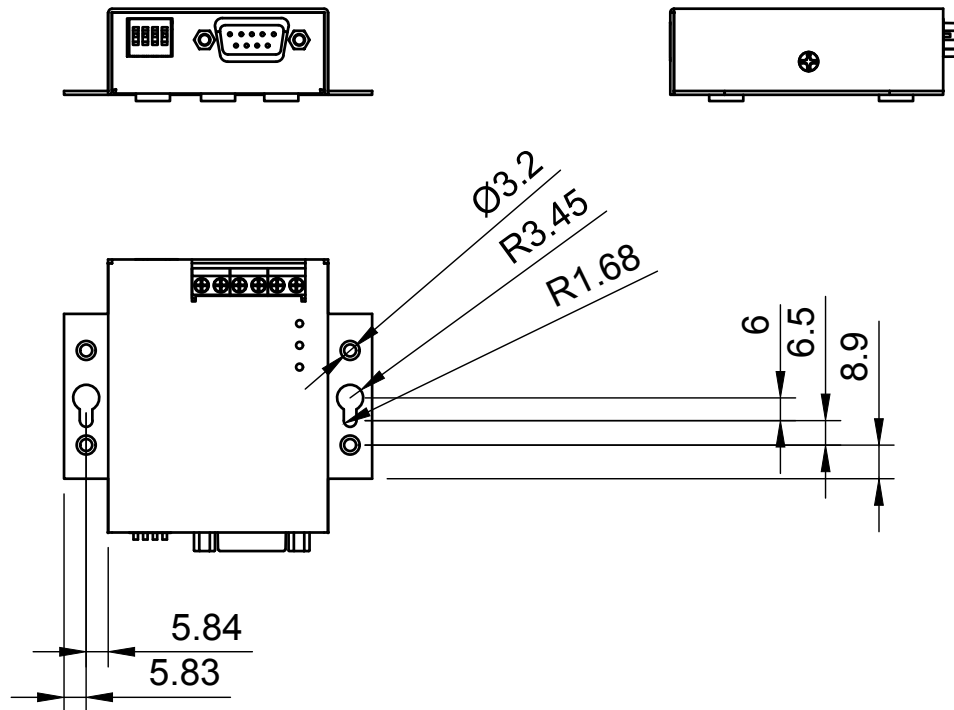



Basic Measurements
Detailed Port Measurements



| | | | |
|---|-------------------------------|-------------|--|
|  | | Model #: | |
| | | USBG-Comi-m | |
| Drawn by: Leo Pinto | Scale: 1:2 | Units: mm | |
| Drawn Date: 7/28/2021 | Tolerance: +/- 0.15mm | | |
| Notes: | Contact: support@coolgear.com | | |
| | Web: coolgear.com | | |
| | A4 | 1/2 | |

Mounting Holes Measurements



| | | | |
|---|-------------------------------|-------------|--|
|  | | Model #: | |
| | | USBG-Comi-m | |
| Drawn by: Leo Pinto | Scale: 1:2 | Units: mm | |
| Drawn Date: 7/28/2021 | Tolerance: +/- 0.15mm | | |
| Notes: | Contact: support@coolgear.com | | |
| | Web: coolgear.com | | |
| | A4 | 2/2 | |