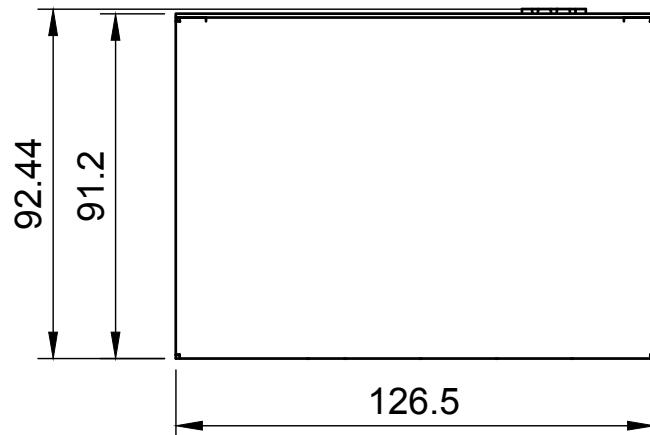
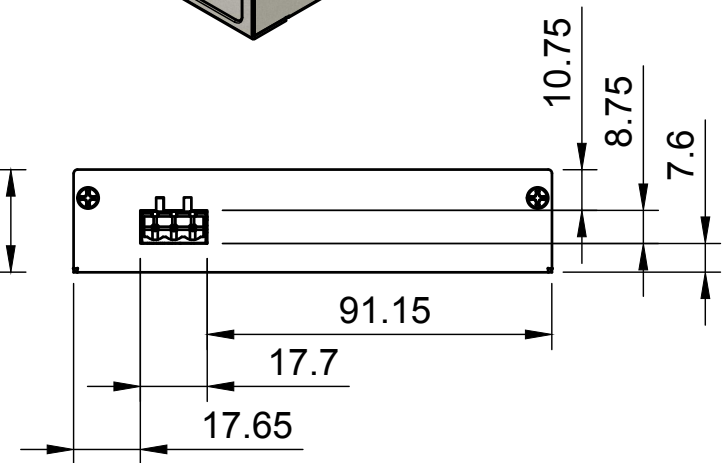
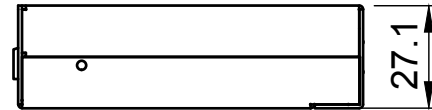
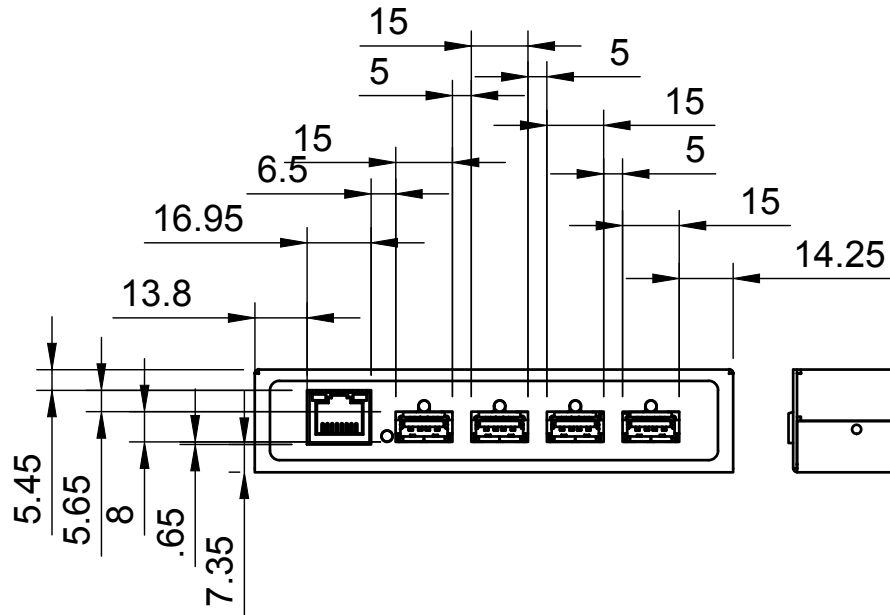
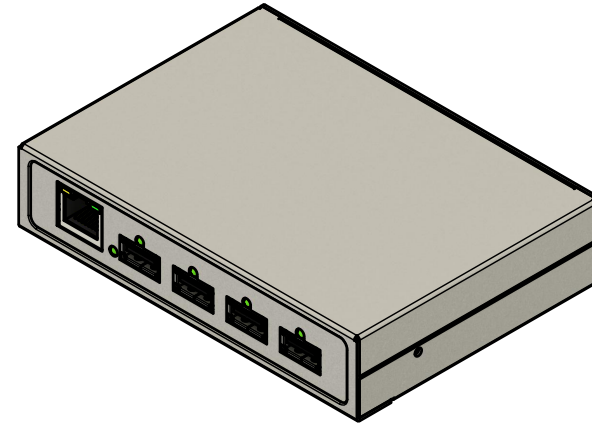

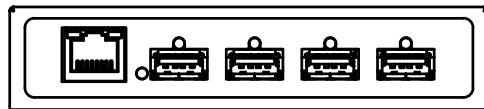
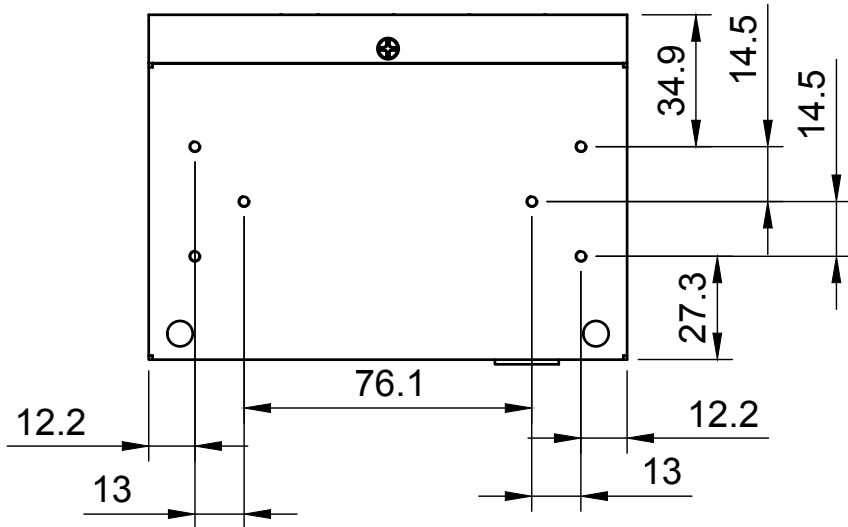



Basic Measurements
Port detailed



	Model #: USBNET-400i	
	Drawn by: Leo Pinto	Scale: 1:2
Drawn Date: 8/13/21	Tolerance: +/- 0.15mm	
Notes:	Contact: support@coolgear.com	
	Web: coolgear.com	
	A4	1/2

Mounting Holes



		Model #:	
		USBNET-400i	
Drawn by: Leo Pinto		Scale: 1:2	Units: mm
Drawn Date: 8/13/21		Tolerance: +/- 0.15mm	
Notes:		Contact: support@coolgear.com	
		Web: coolgear.com	
		A4	2/2