
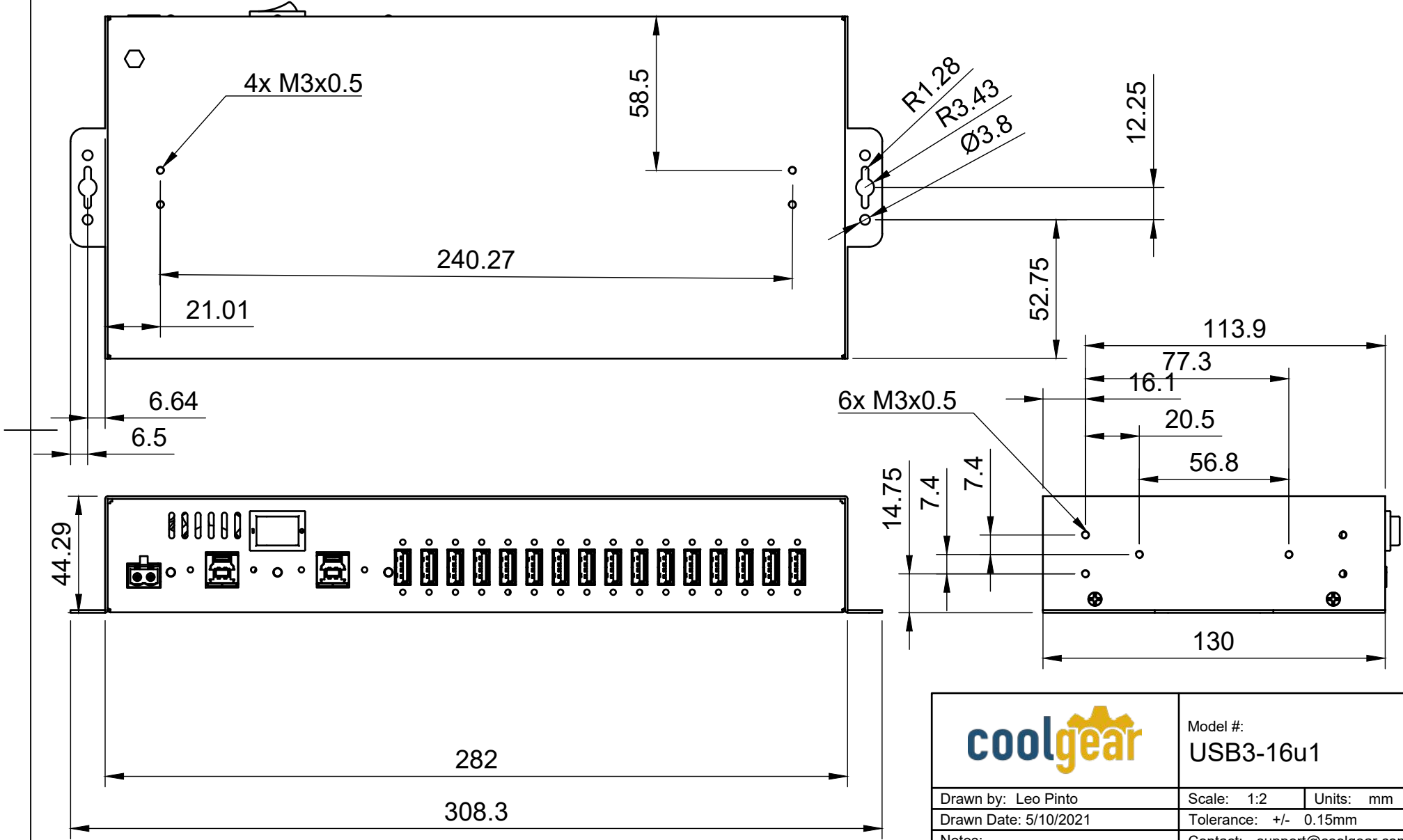



Isometric View



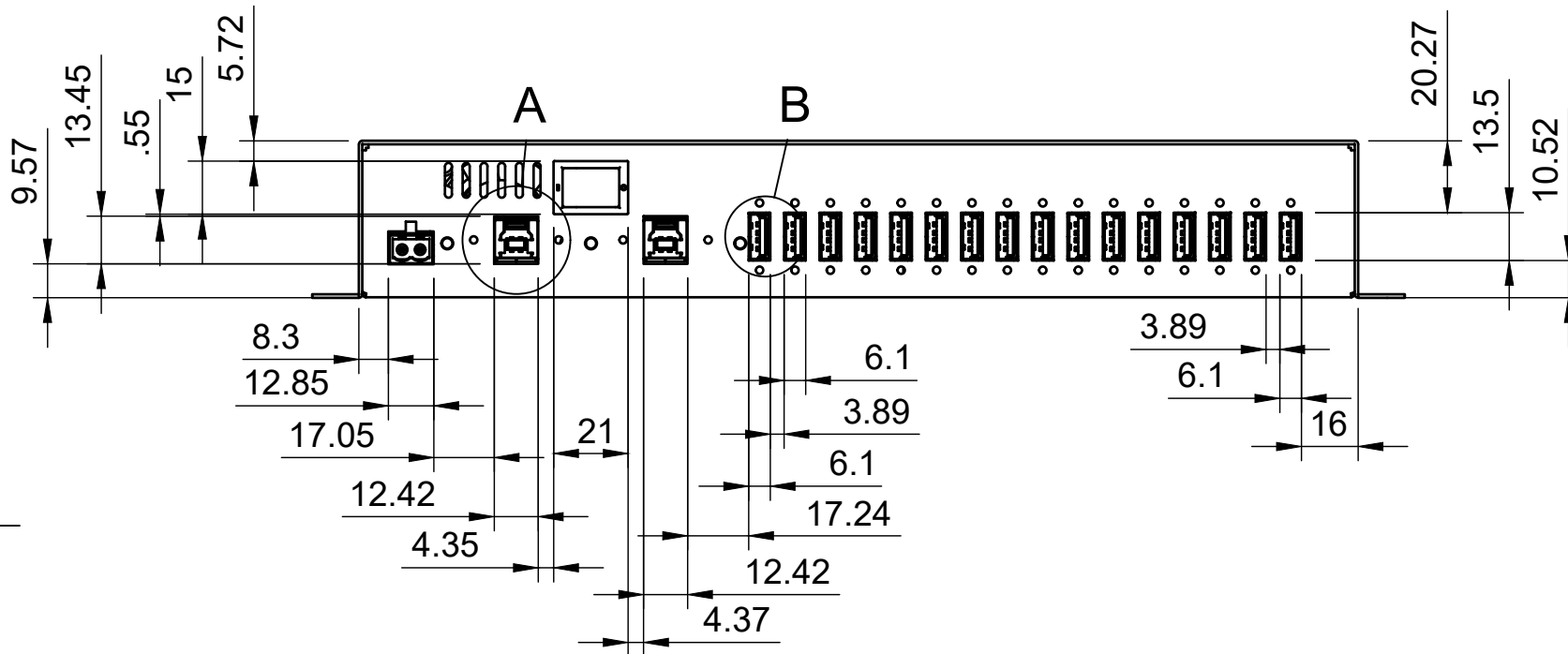
	Model #: USB3-16u1	
	Drawn by: Leo Pinto	Scale: 1:2 Units: mm
Drawn Date: 5/10/2021	Tolerance: +/- 0.15mm	
Notes:	Contact: support@coolgear.com	
	Web: coolgear.com	
	A4	1/5

Basic Measurements
Mounting Holes

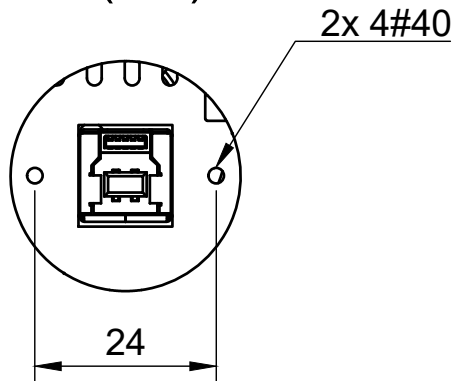


	Model #: USB3-16u1	
	Drawn by: Leo Pinto	Scale: 1:2
Drawn Date: 5/10/2021	Tolerance: +/- 0.15mm	
Notes:	Contact: support@coolgear.com	
	Web: coolgear.com	
	A4	2/5

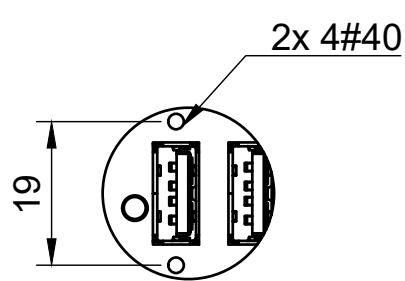
Port Detailed




A (1:1)

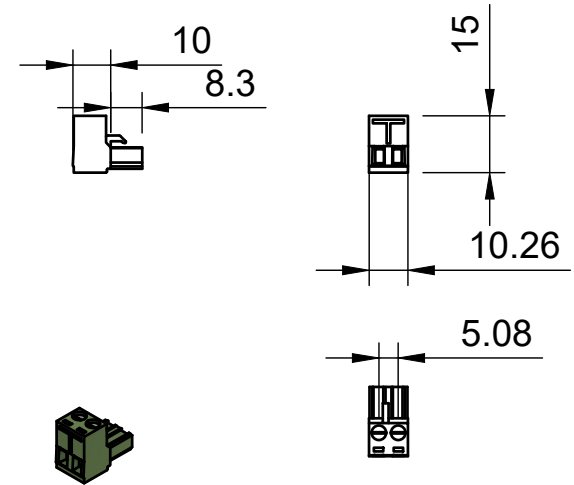
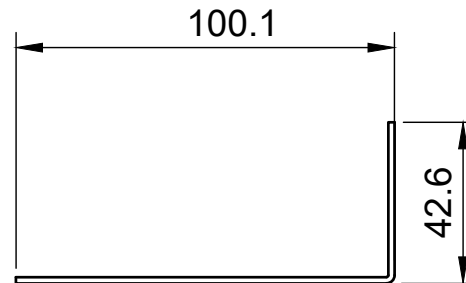
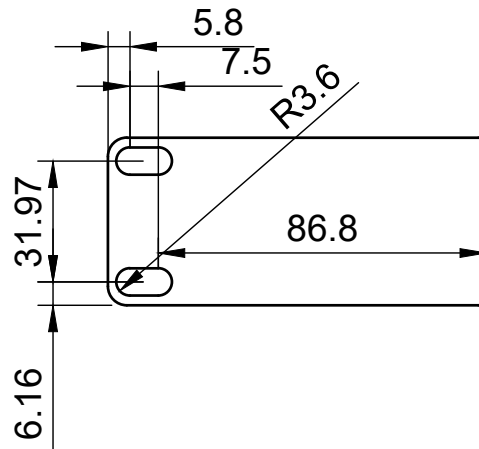
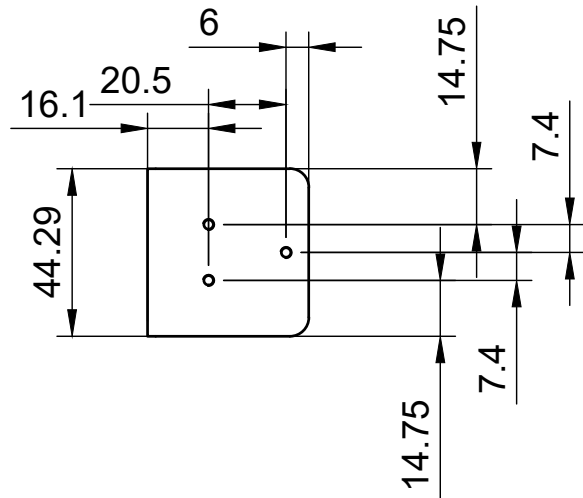



B (1:1)



		Model #:	
		USB3-16u1	
Drawn by: Leo Pinto	Scale: 1:2	Units: mm	
Drawn Date: 5/10/2021	Tolerance: +/- 0.15mm		
Notes:	Contact: support@coolgear.com		
	Web: coolgear.com		
	A4	3/5	


Accessories



		Model #:	
		USB3-16u1	
Drawn by: Leo Pinto		Scale: 1:2	Units: mm
Drawn Date: 5/10/2021		Tolerance: +/- 0.15mm	
Notes:		Contact: support@coolgear.com	
		Web: coolgear.com	
		A4	4/5

Exploded View



		Model #: USB3-16u1	
Drawn by: Leo Pinto		Scale: 1:2	Units: mm
Drawn Date: 5/10/2021		Tolerance: +/- 0.15mm	
Notes:		Contact: support@coolgear.com	
		Web: coolgear.com	
		A4	5/5