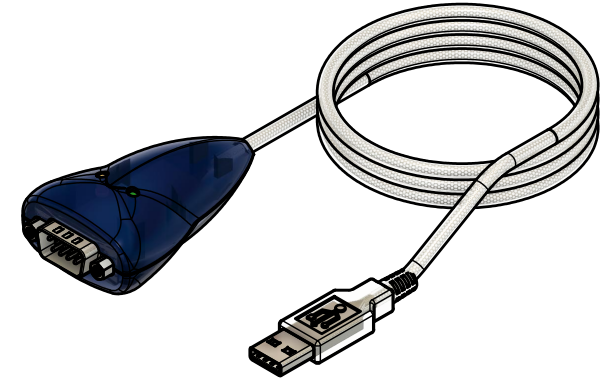
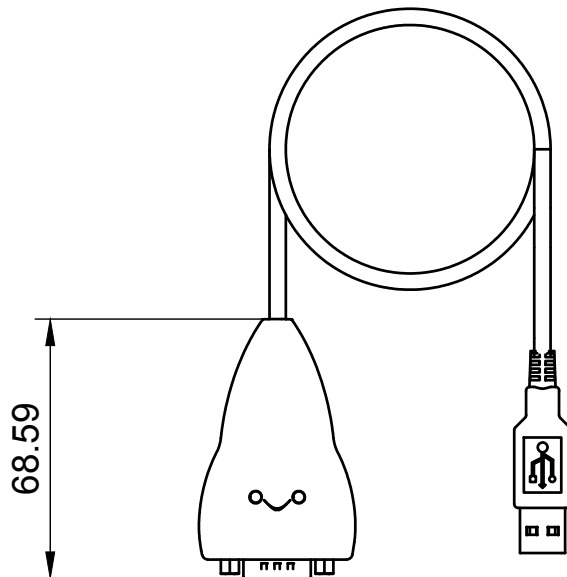
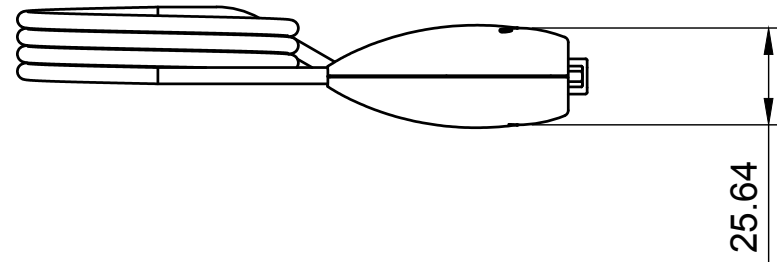
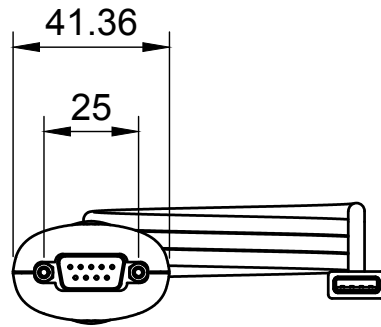

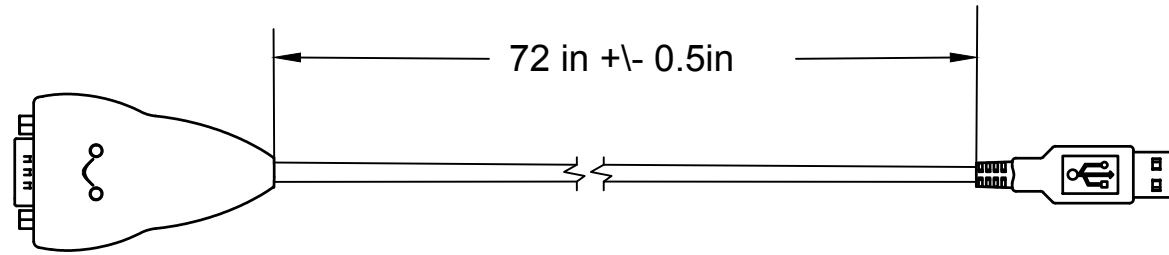


Basic Measurements
Port Detailed



| | | |
|---|------------------------------|------------|
|  | Model #: USBG-232mm | |
| | Drawn by: Leo Pinto | Scale: 1:2 |
| Drawn Date: 7/22/21 | Tolerance: +/- 0.15mm | |
| Notes: | Contact: support@USBGear.com | |
| | Web: usbgear.com | |
| | A4 | 1/2 |

Cord long



Model #:
USBG-232mm

Drawn by: Leo Pinto

Scale: 1:2 Units: mm

Drawn Date: 7/22/21

Tolerance: +/- 0.15mm

Notes:

Contact: support@USBGear.com

Web: usbgear.com

A4

2/2