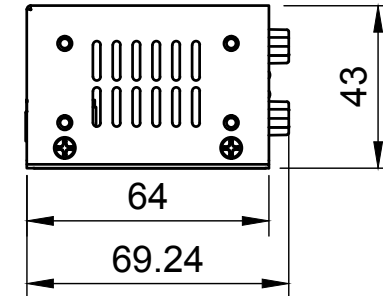
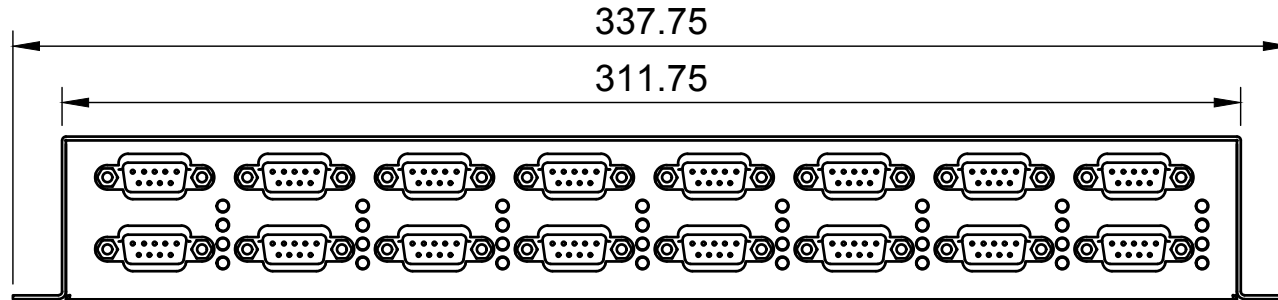

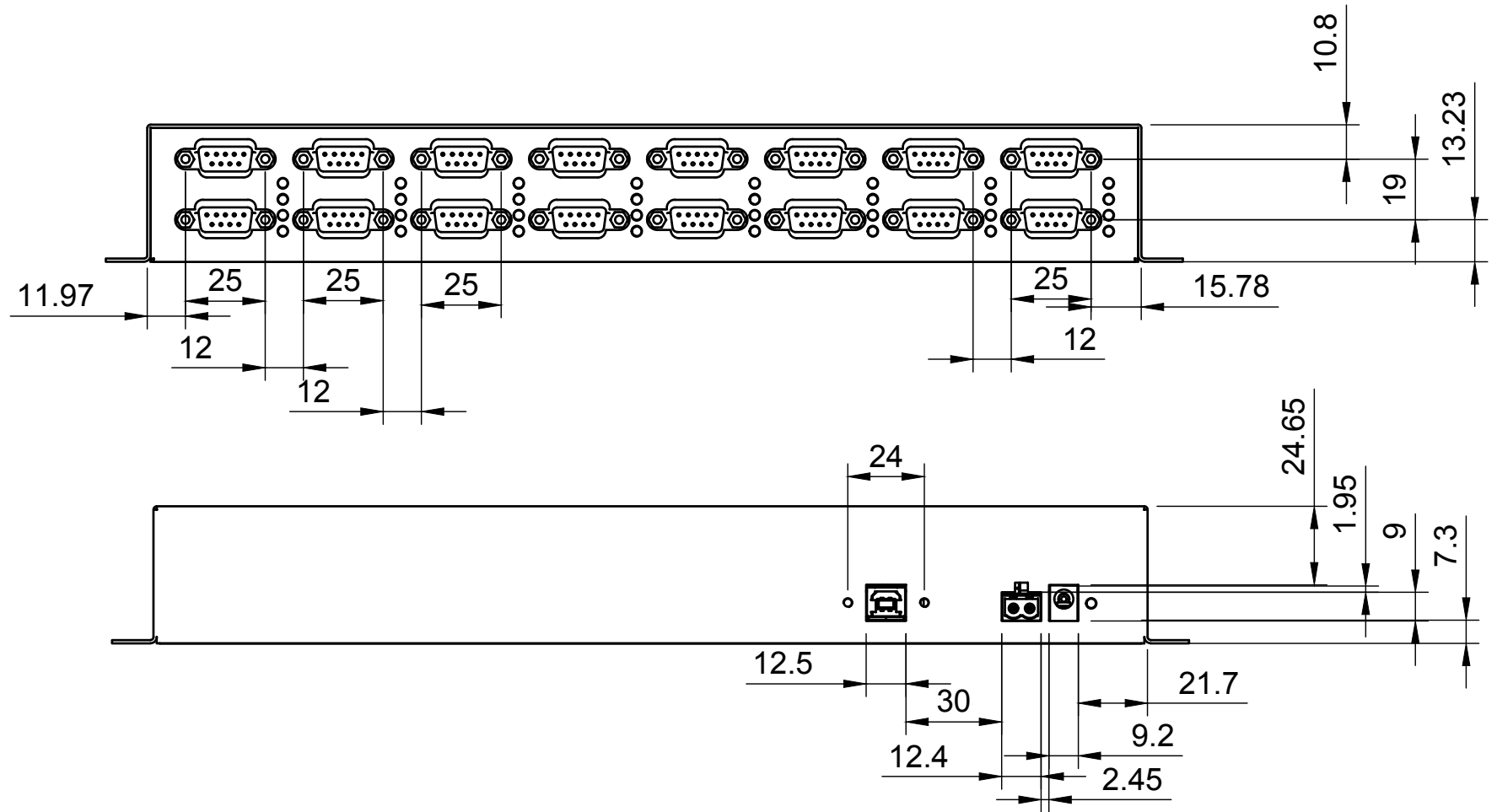



Basic Measurements



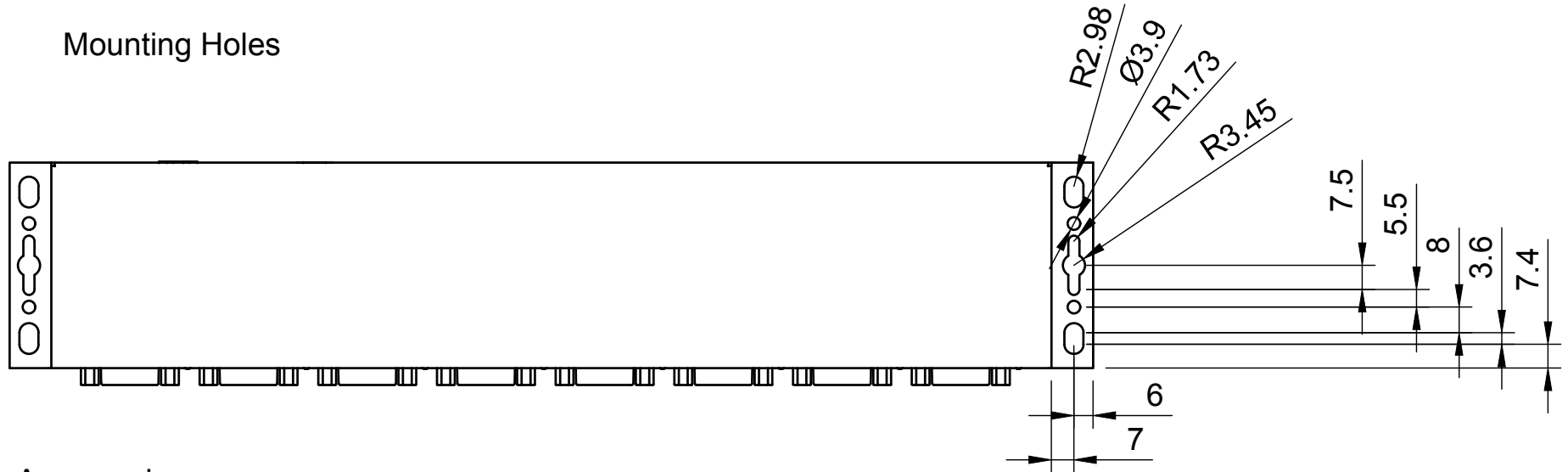
	Model #: CG-16com-mini	
	Drawn by: Leo Pinto	Scale: 1:2
Drawn Date: 8/19/21	Tolerance: +/- 0.15mm	
Notes:	Contact: support@coolgear.com	
	Web: coolgear.com	
	A4	1/4

Port Detailed

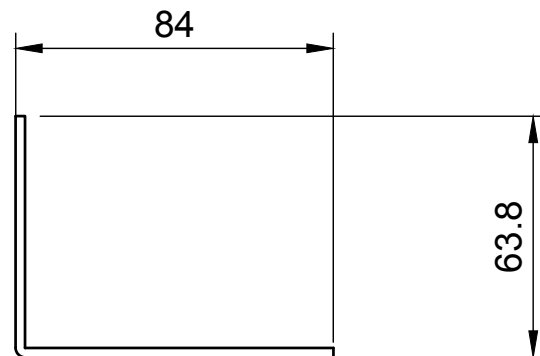
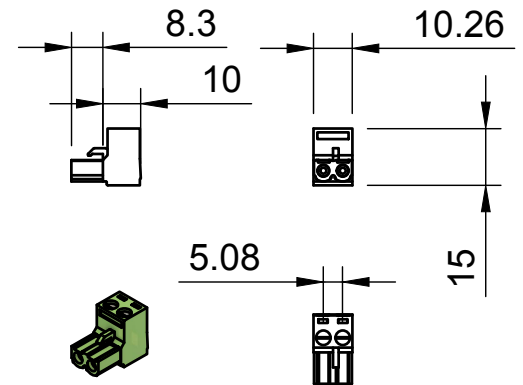
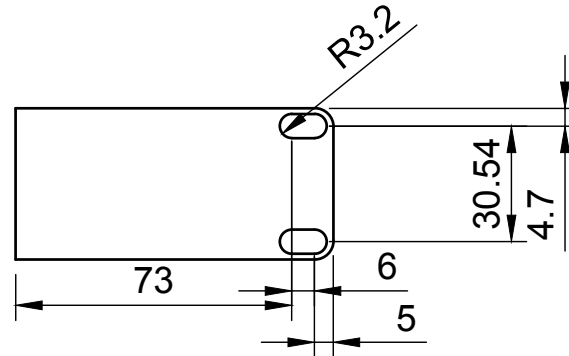
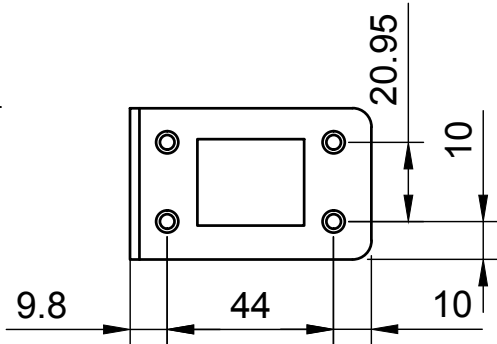



		Model #:	
		CG-16com-mini	
Drawn by: Leo Pinto		Scale: 1:2	Units: mm
Drawn Date: 8/19/21		Tolerance: +/- 0.15mm	
Notes:		Contact: support@coolgear.com	
		Web: coolgear.com	
		A4	2/4

Mounting Holes

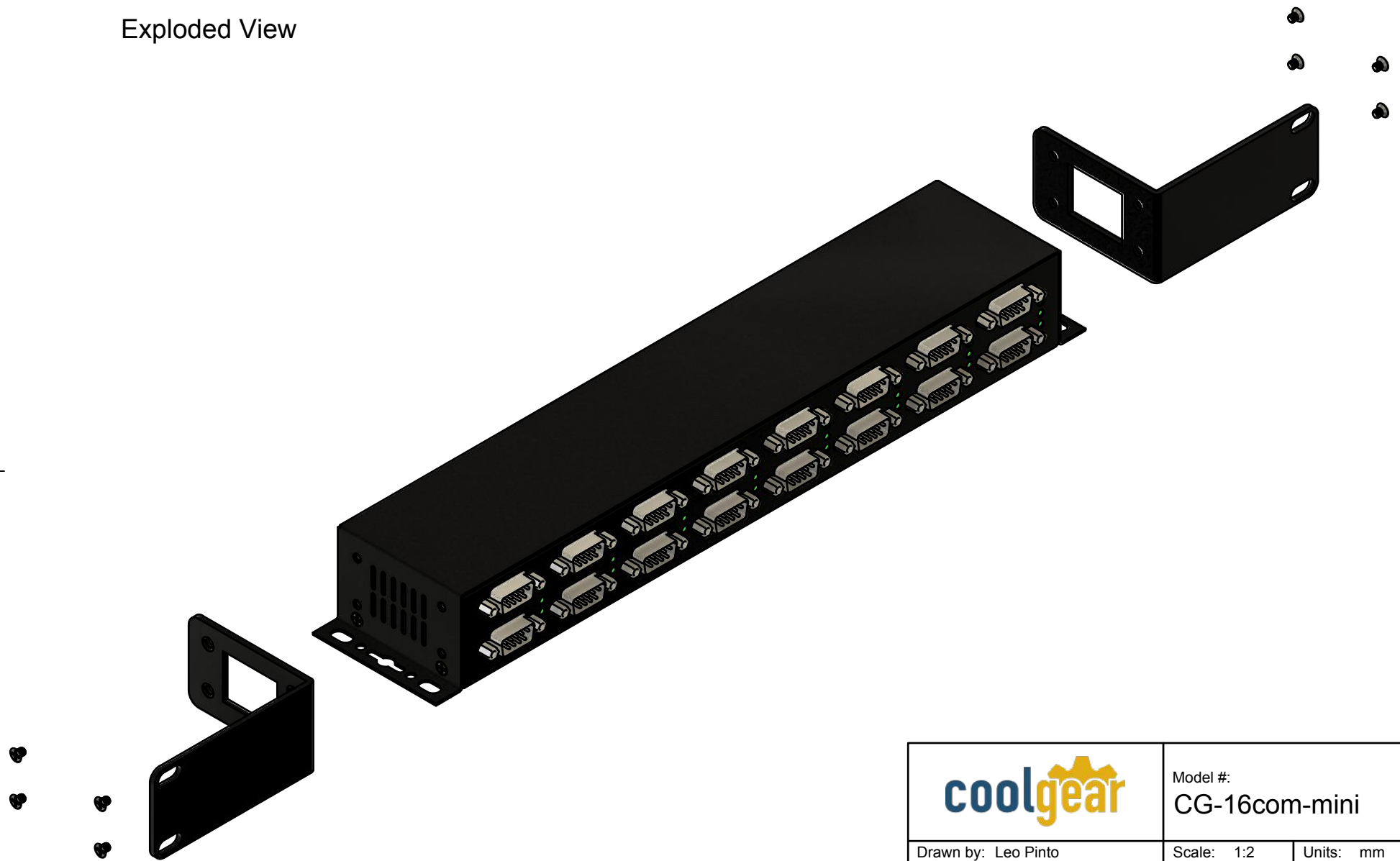


Accessories



		Model #:	
		CG-16com-mini	
Drawn by: Leo Pinto		Scale: 1:2	Units: mm
Drawn Date: 8/19/21		Tolerance: +/- 0.15mm	
Notes:		Contact: support@coolgear.com	
		Web: coolgear.com	
		A4	3/4

Exploded View



Model #:
CG-16com-mini

Drawn by: Leo Pinto

Scale: 1:2 Units: mm

Drawn Date: 8/19/21

Tolerance: +/- 0.15mm

Notes:

Contact: support@coolgear.com

Web: coolgear.com

A4

4/4