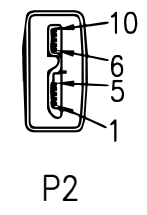
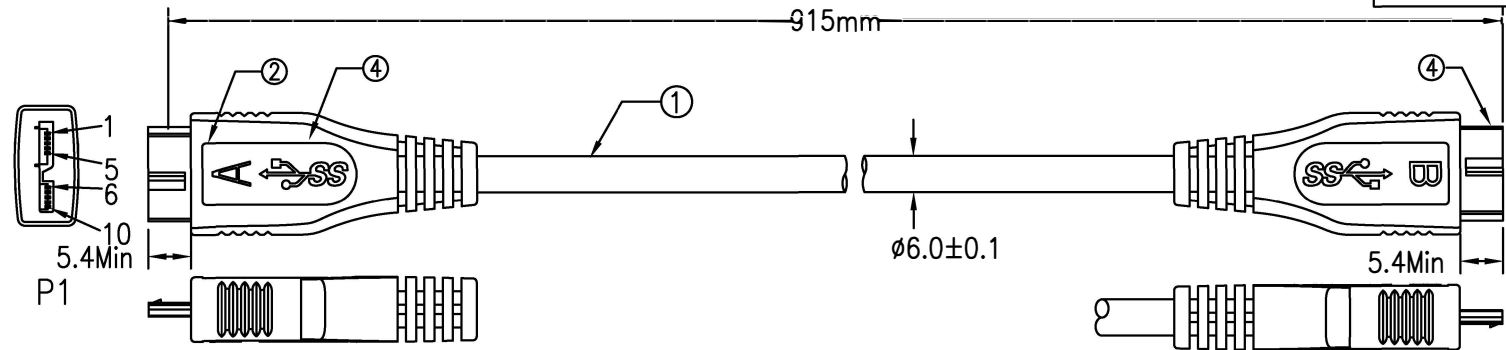
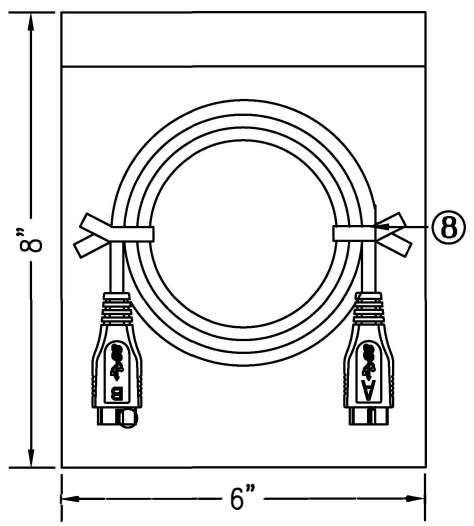
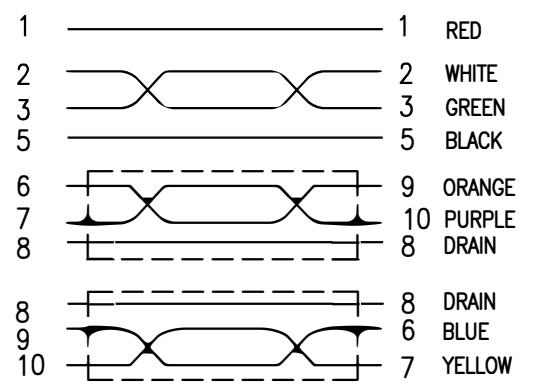


WEIGHT	CUSTOMER NO:	REMARK
75g-K1	MUSB3.0AB-3FT	USBGEAR



PINOUT: P1

P2



NOTES:

- 1) PRIMARY DIM:
- 2) RoHS Compliant.
- 3) DIE NO P1:OU04083. DIE NO P2:OU04082
- 4) IPC/PE BAG 產品符合ROHS

4	OUTER JACKET PVC 45Pa Black RoHS
3	USB3.0 MICRO B/M 10P BLACK SOLDER TERMINAL PLATED GOLO 三件式(ROHS)
2	USB3.0 MICRO A/M 10P BLACK SOLDER TERMINAL PLATED GOLO 三件式(ROHS)
1	USB3.0 UL20276 (28#1P+A+D)*2+28#1P+24#2C+A+B+F OD:6.0mm Black(1101) 915mm RoHS

B	變更接點	JLan	12/05/10
REV.	ECR	DESCRIPTION	C.N. DATE
		coolgear	
UNLESS OTHERWISE SPECIFIED: DIMENSIONS ARE IN MILLIMETERS ANGULAR TOLERANCE: ±1.0°		TITLE Micro USB3.0 CABLE	
DIMENSIONS	TOLERANCE	CHKD.	CONF.
0.00 TO 30.00mm	±0.10mm		
30.01 TO 80.00mm	±0.13mm	DR.	APPD.
80.01 TO 150.00mm	±0.15mm	JLan	
150.01mm	±0.20mm	PART NO.	2112-1126
MATERIAL		SCALE	SHEET 1/1 UNIT MM SIZE A4 REV. B
FINISH			