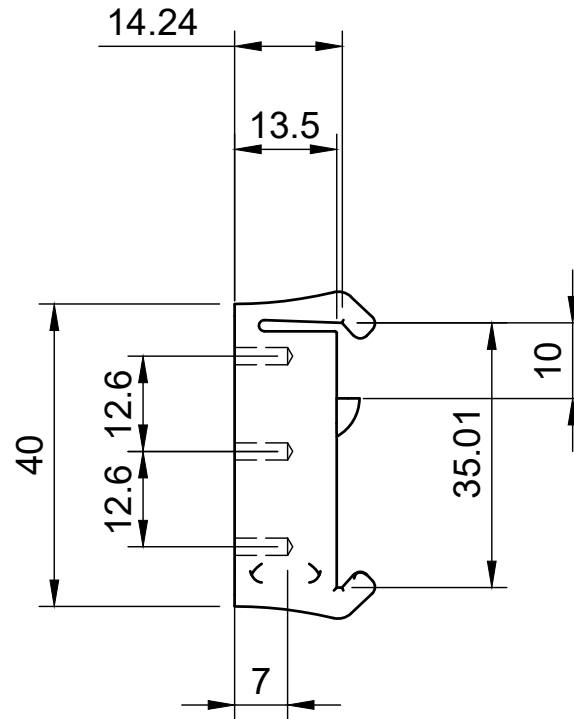
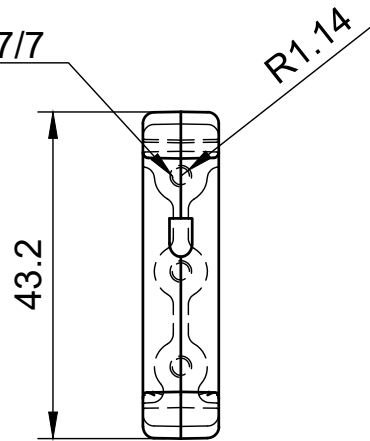



3x 4-40 UNC 2B x 7/17



		Model #:	
		DIN-RAIL-CLIP	
Drawn by: Leo Pinto		Scale: 1:1	Units: mm
Drawn Date: 3/26/2021		Tolerance: +/- 0.15mm	
Notes:		Contact: support@coolgear.com	
		Web: coolgear.com	
		A4	1/1