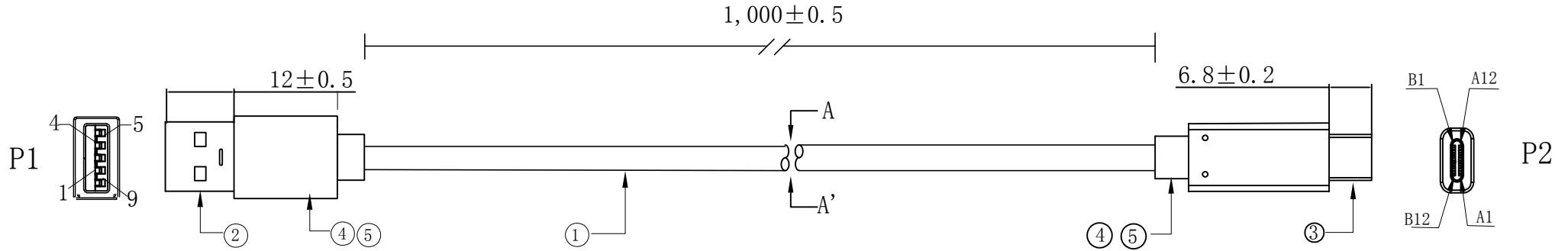
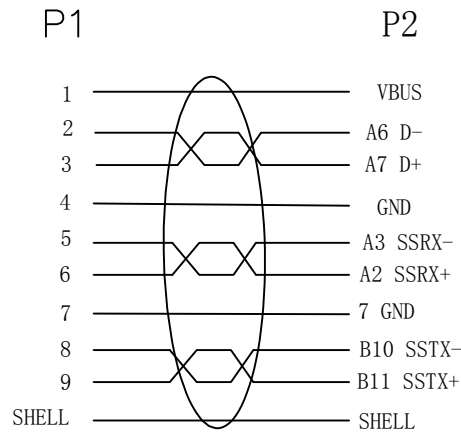


NOTE: All materials compliant with RoHS, REACH and PrO65 standards

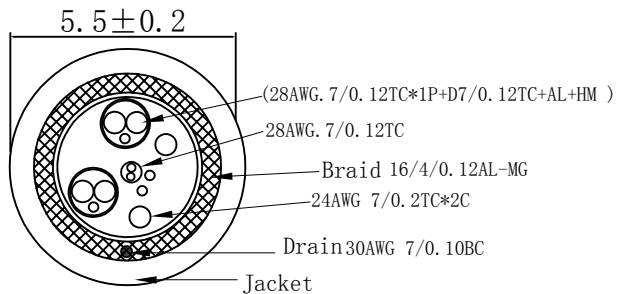
| REV. | DATE         | ECN NO. | DESCRIPTION |
|------|--------------|---------|-------------|
| A0   | 2021. 04. 17 | /       | /           |



PIN ASSIGNMENT



SEC: A--A'



Testing Requirements:

1. 100% real machine screen test
2. Insulation resistance: 10MΩ MIN (300DC/0.01s).
3. Conduction impedance: 2Ω MAX.

|       |            |                      |
|-------|------------|----------------------|
|       | MODEL #:   | USB3-AC1MB           |
|       | PAGE:      | 1 / 1                |
| DRAW: | NOTES:     |                      |
| DATE: | SCALE:     | 1mm = 1mm            |
| UNIT: | TOLERANCE: | +/- 0.15 mm          |
| SITE: | CONTACT:   | support@coolgear.com |

| NO. | NAME          | SPECIFICATIONS  | Q' TY | UNIT |
|-----|---------------|---|-------|------|
| 5   | OUTER MOLDING | Black PVC 40P   | 10    | G    |
| 4   | INNER MOLDING | MG70 LDPE   | 10    | G    |
| 3   | CONNECTOR     | USB3.0 TYPE C/M connector black core/nickel plated iron case/pin gold plated  | 1     | PCS  |
| 2   | CONNECTOR     | USB3.0A /M connector blue core/nickel plated iron case/pin gold plated  | 1     | PCS  |
| 1   | CABLE         | USB3.0 (28AWG. 7/0. 12TC*1P+D7/0. 12TC+AL+HM ) *2+ (28AWG. 7/0. 12TC) *1P+ 24AWG 7/0. 2TC*2C+ADB+PVC OD:5.5MM BLACK 1,000 ± 0.5mm | AR    | MM   |

8 7 6 5 4 3 2 1