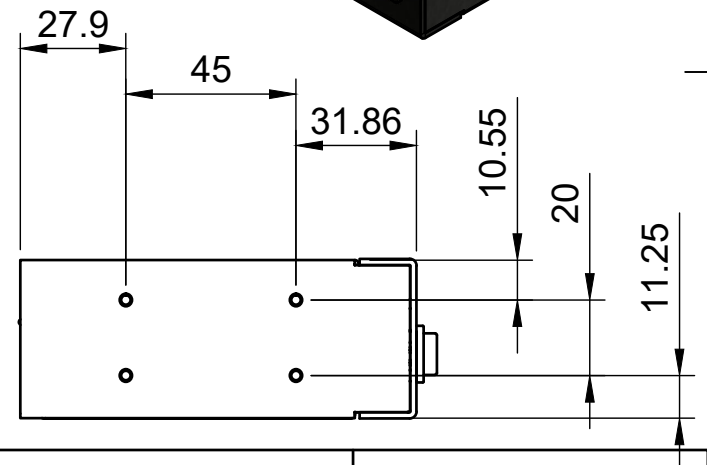
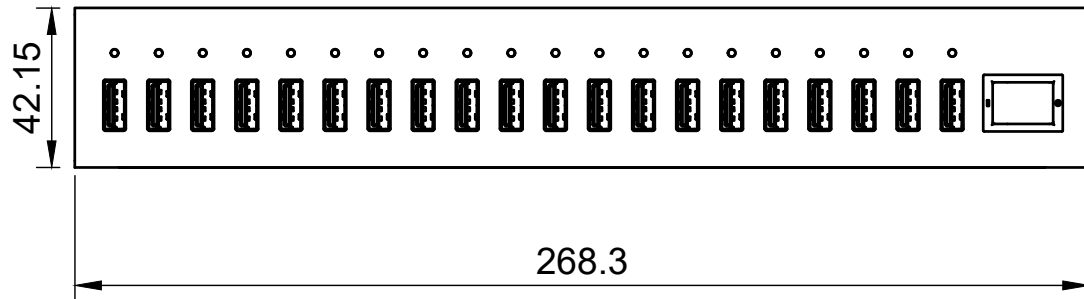
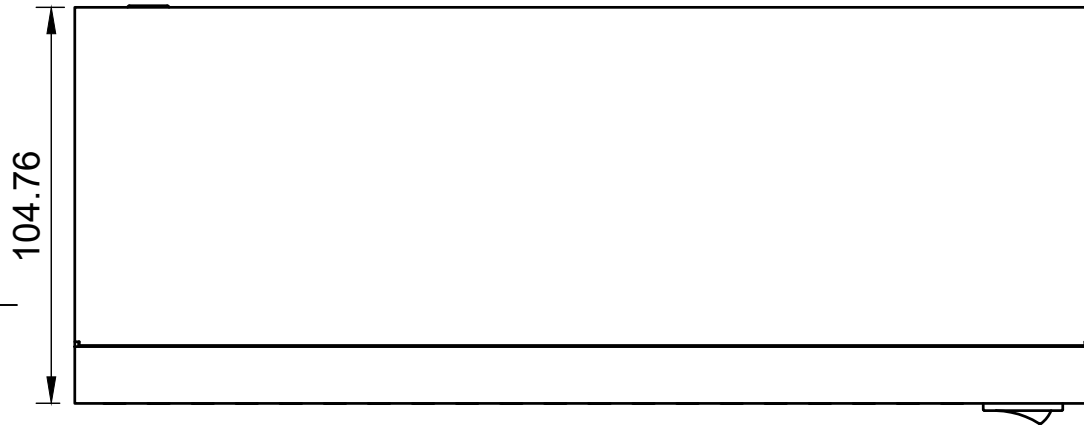
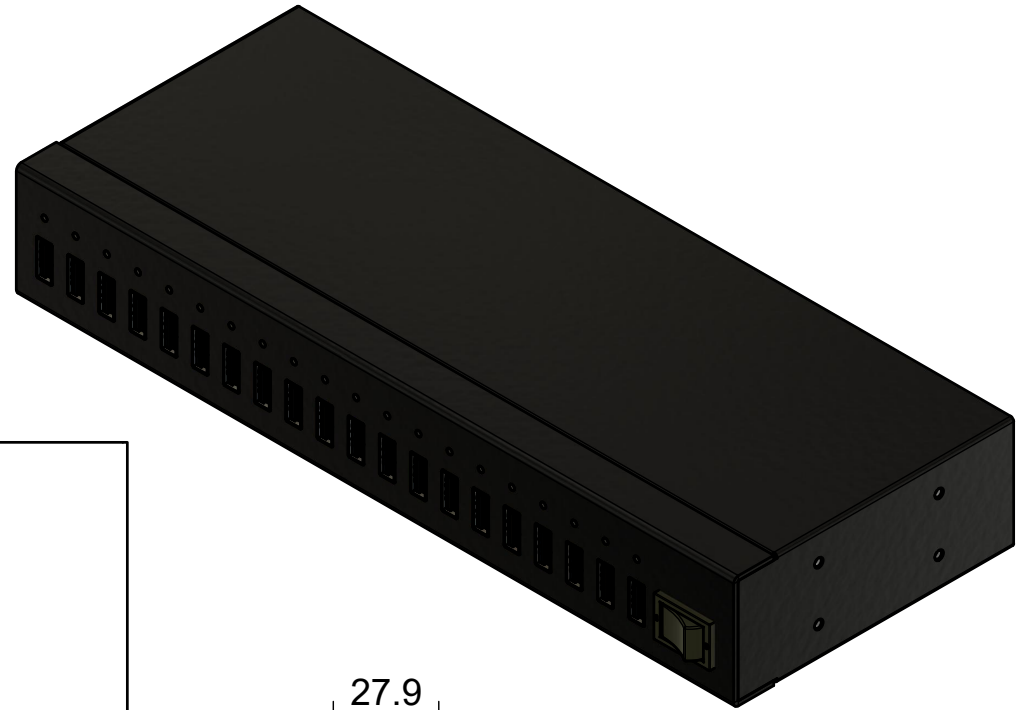

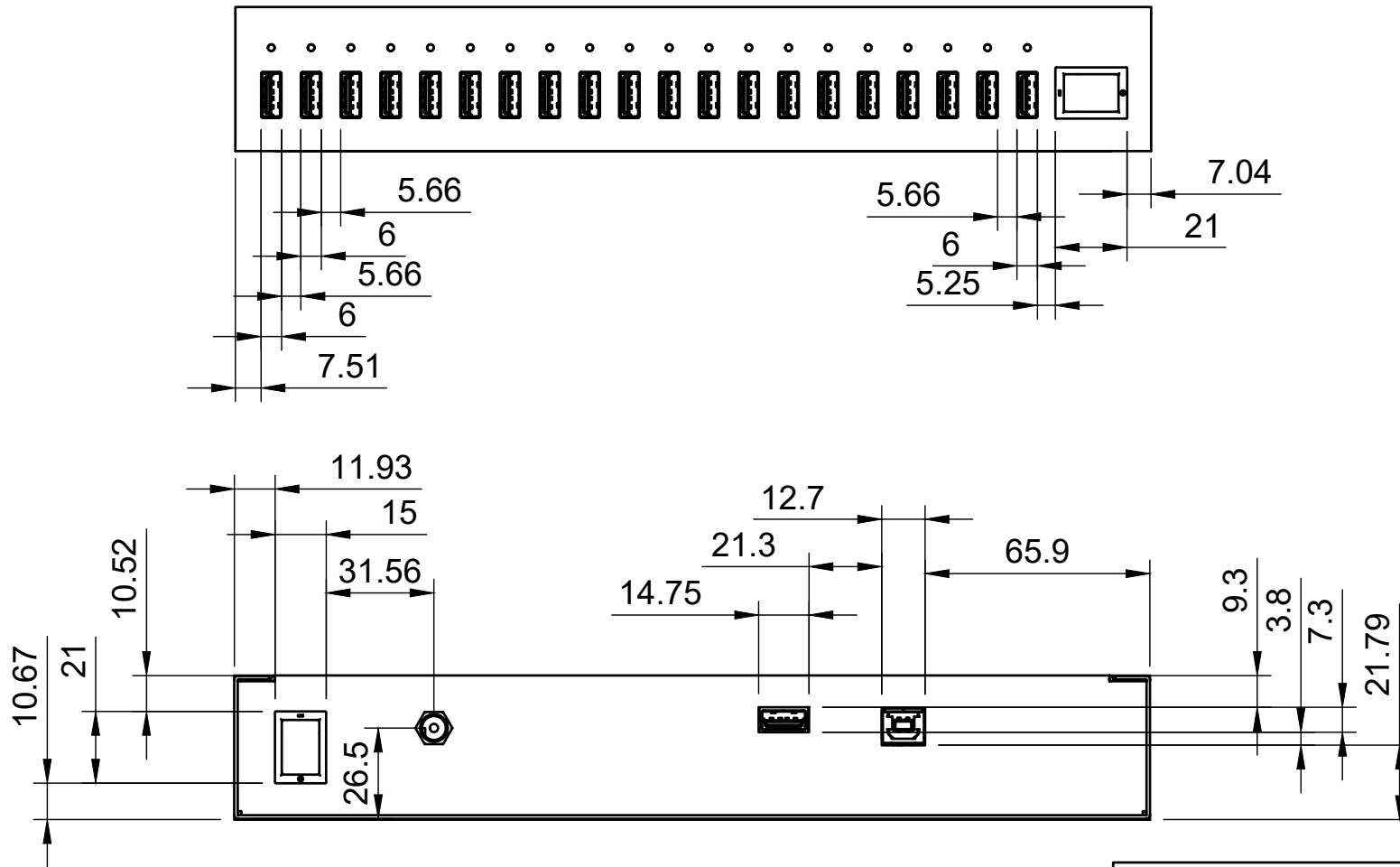



Basic Measurements
Mounting Holes



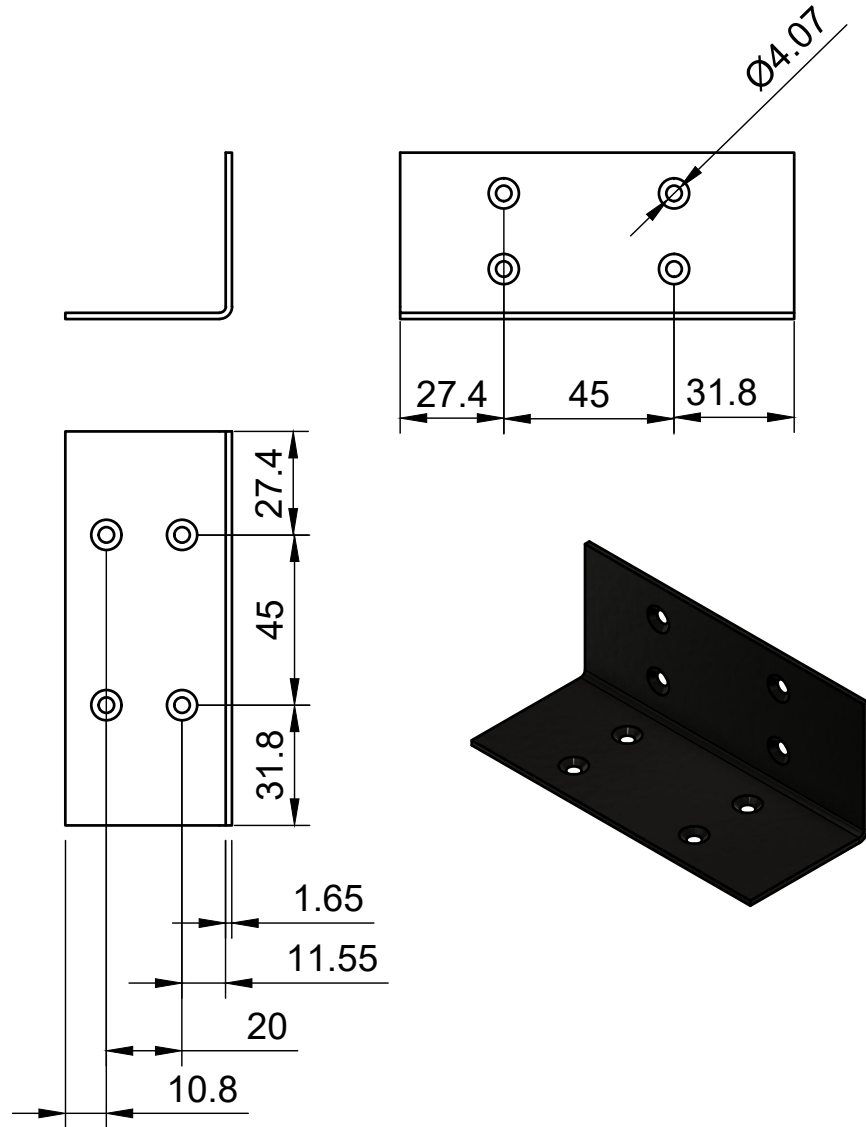
		Model #:	
		USBG-20XU1	
Drawn by: Leo Pinto		Scale: 1:2	Units: mm
Drawn Date: 4/28/2021		Tolerance: +/- 0.15mm	
Notes:		Contact: support@coolgear.com	
		Web: coolgear.com	
		A4	1/3

Ports Detailed

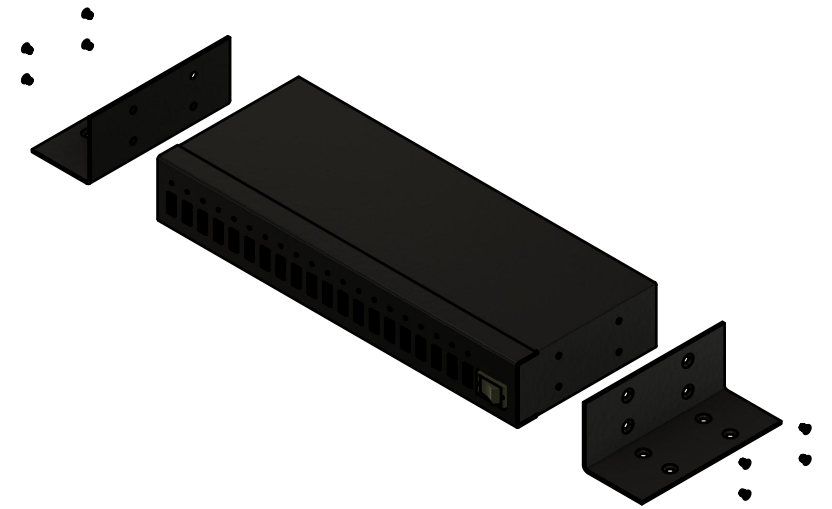



		Model #: USBG-20XU1	
		Drawn by: Leo Pinto	Scale: 1:2
Drawn Date: 4/28/2021		Tolerance: +/- 0.15mm	
Notes:		Contact: support@coolgear.com	
		Web: coolgear.com	
		A4	2/3

Accessories
Scale 1:2



Exploded View
Scale 1:4



		Model #:	
		USBG-20XU1	
Drawn by: Leo Pinto		Scale: 1:2	Units: mm
Drawn Date: 4/28/2021		Tolerance: +/- 0.15mm	
Notes:		Contact: support@coolgear.com	
		Web: coolgear.com	
		A4	3/3