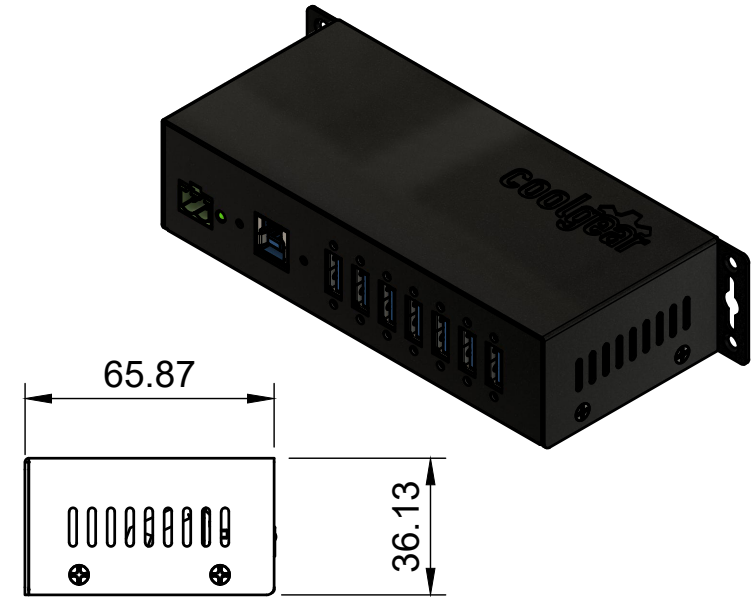
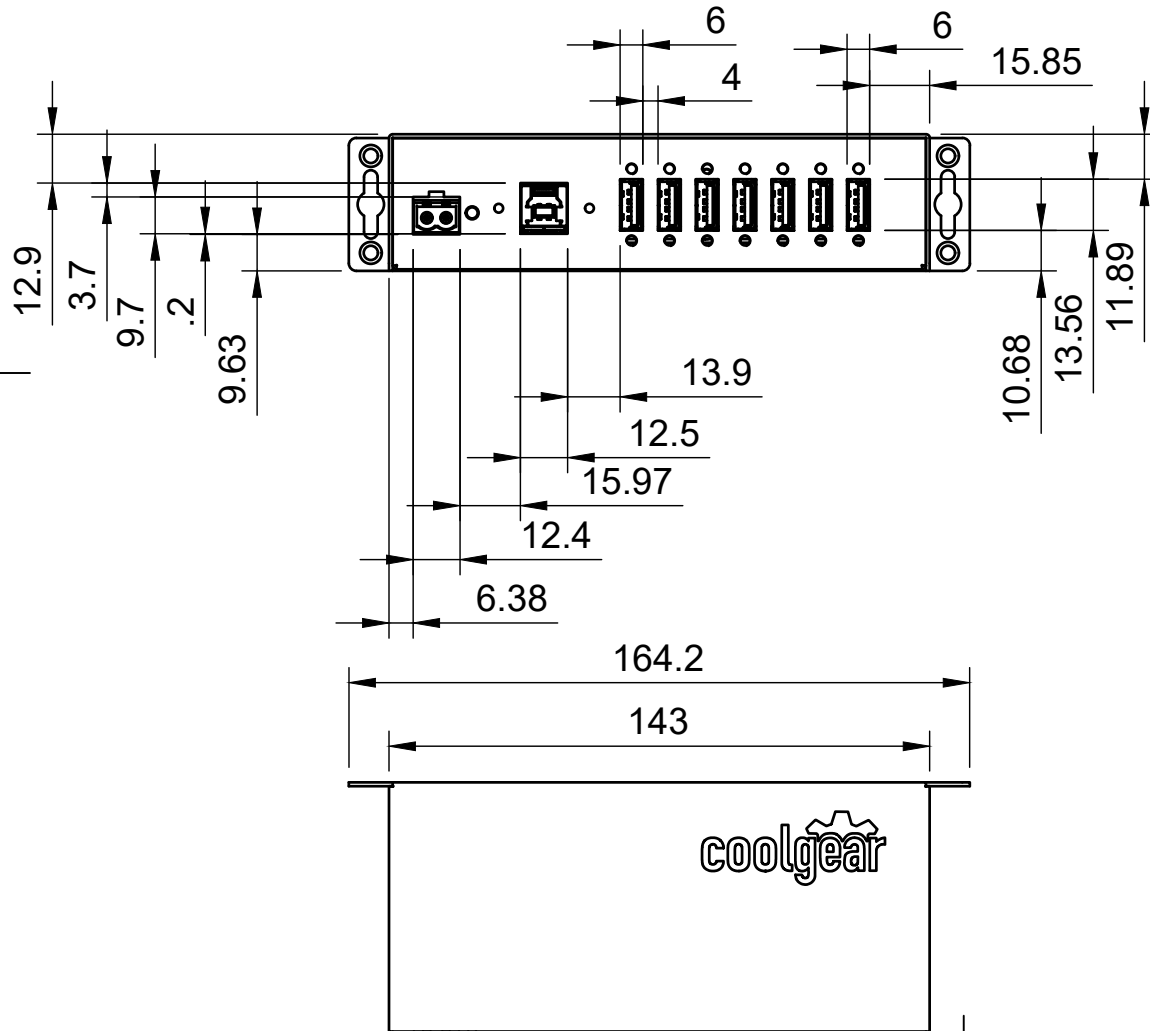

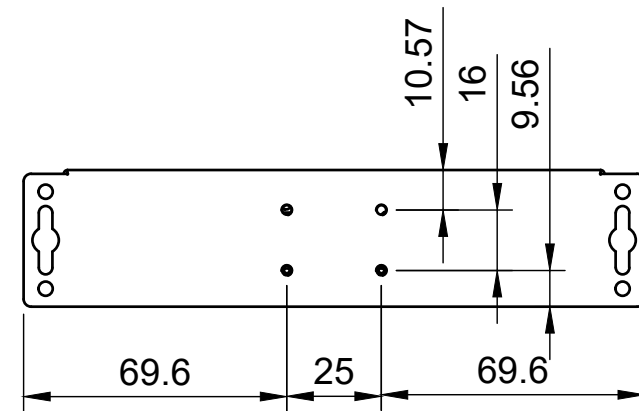
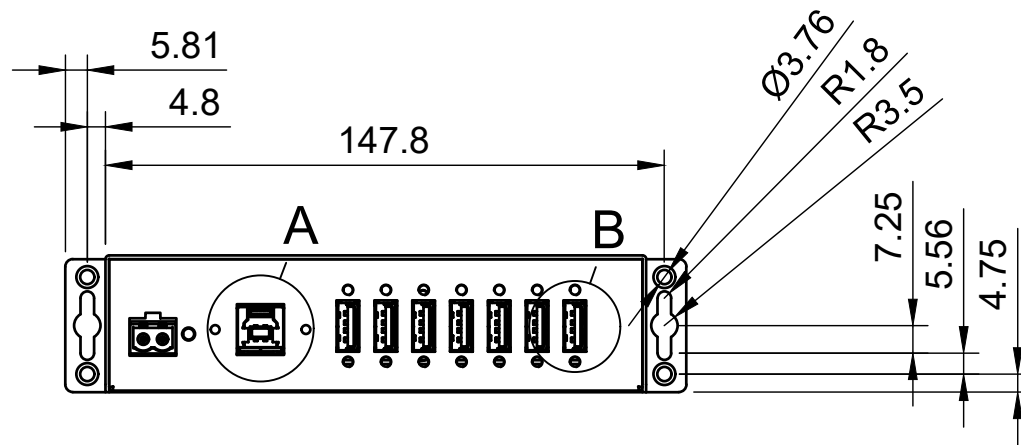


Basic Measurements
Port Detailed

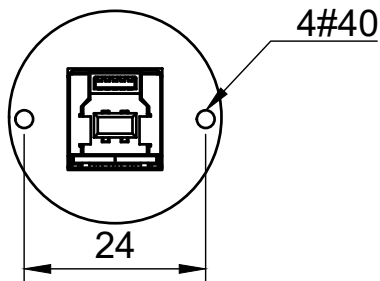


		Model #:	
		USBG-7U3ML	
Drawn by: Leo Pinto		Scale: 1:2	Units: mm
Drawn Date: 6/4/2021		Tolerance: +/- 0.15mm	
Notes:		Contact: support@coolgear.com	
		Web: coolgear.com	
		A4	1/3

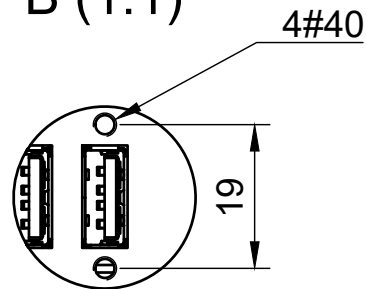
Mounting Holes




A (1:1)

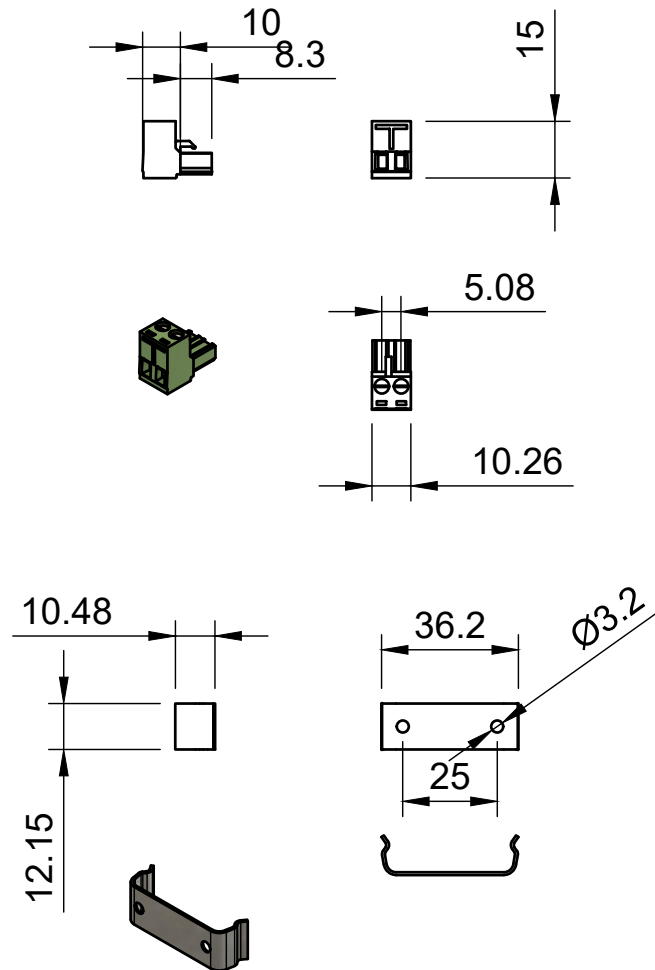


B (1:1)




		Model #:	
		USBG-7U3ML	
Drawn by: Leo Pinto		Scale: 1:2	Units: mm
Drawn Date: 6/4/2021		Tolerance: +/- 0.15mm	
Notes:		Contact: support@coolgear.com	
		Web: coolgear.com	
		A4	2/3

Accessories



Exploded View



		Model #:	
		USBG-7U3ML	
Drawn by: Leo Pinto	Scale: 1:2	Units: mm	
Drawn Date: 6/4/2021	Tolerance: +/- 0.15mm		
Notes:	Contact: support@coolgear.com		
	Web: coolgear.com		
	A4	3/3	