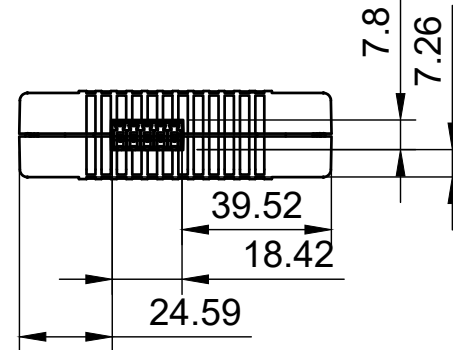
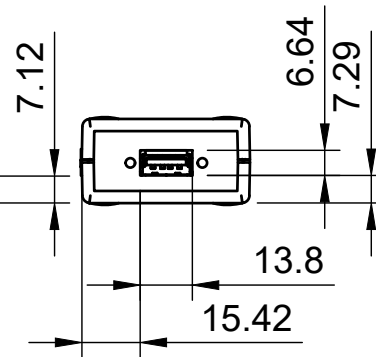
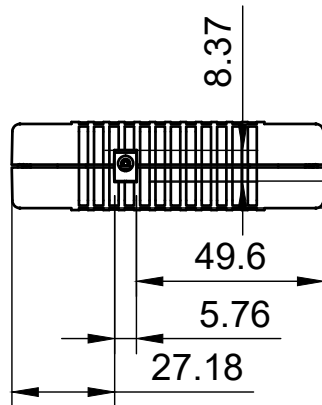
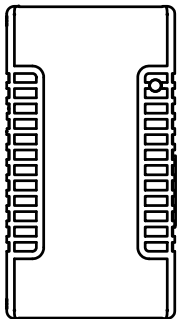
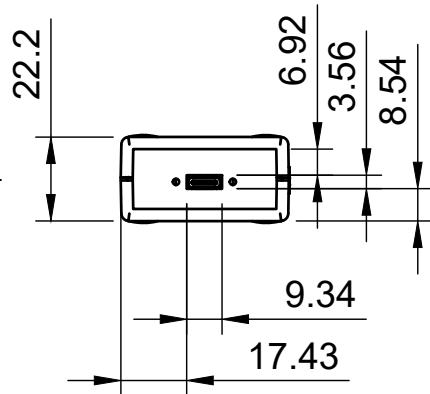
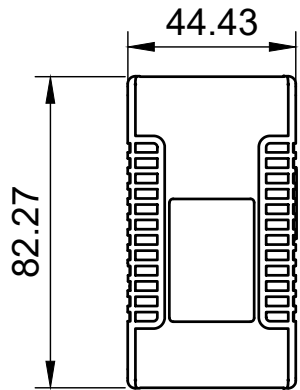
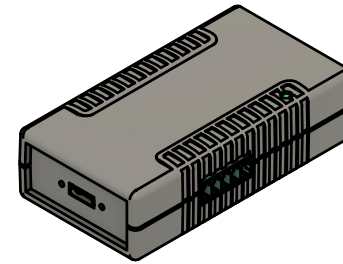


Basic Measurements
Port Measurements



Model #: CG-UCUSBPD

Drawn by: Leo Pinto

Scale: 1:2 | Units: mm

Drawn Date: 4/5/2021

Tolerance: +/- 0.15mm

Notes:

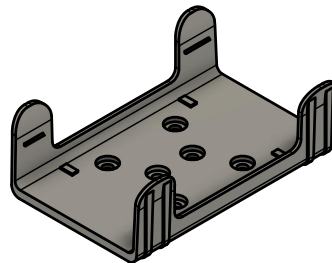
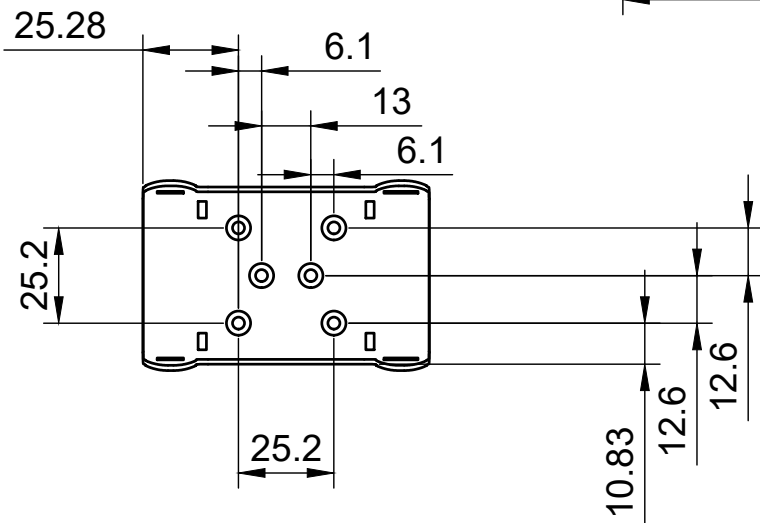
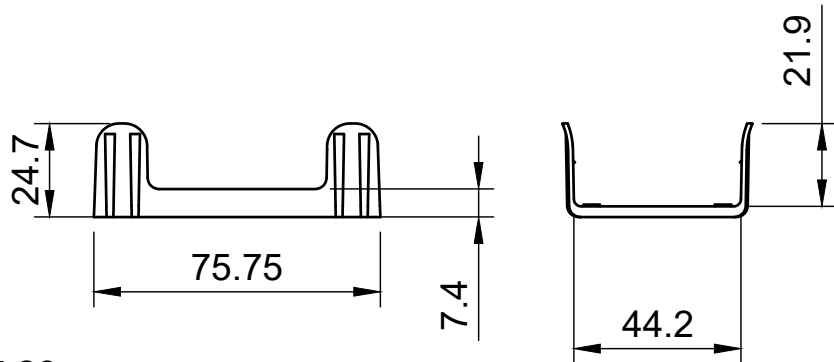
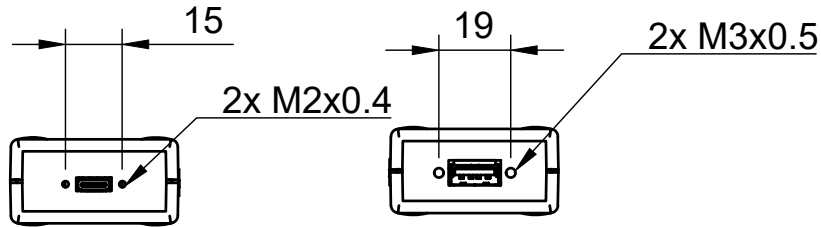
Contact: support@coolgear.com

Web: coolgear.com

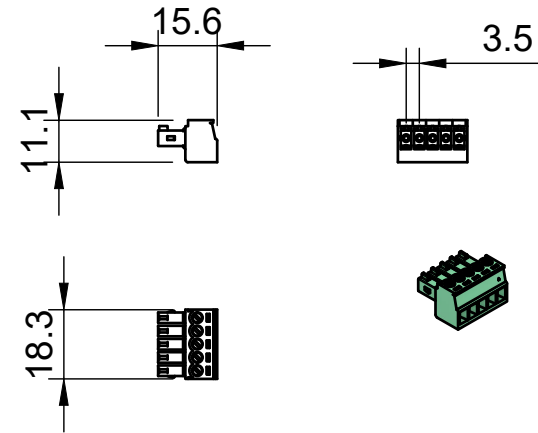
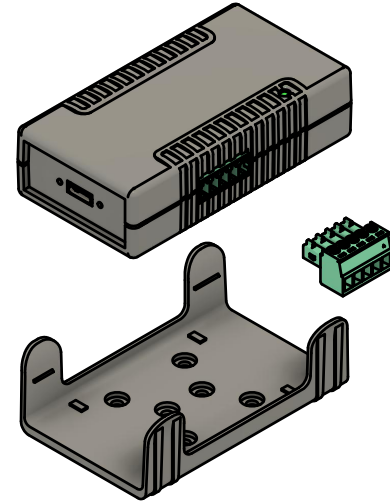
A4

1/2

Detailed Port Measurements Accessories



Exploded View



Model #:
CG-UCUSBPD

Drawn by: Leo Pinto

Scale: 1:2 | Units: mm

Drawn Date: 4/5/2021

Tolerance: +/- 0.15mm

Notes:

Contact: support@coolgear.com

Web: coolgear.com

A4

2/2