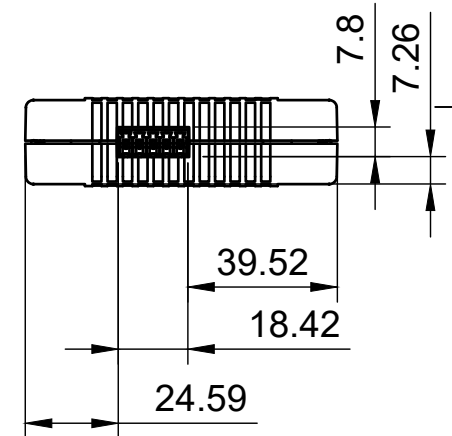
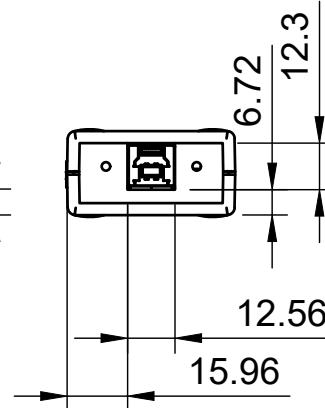
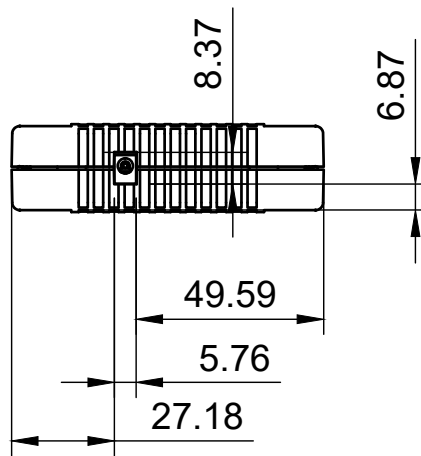
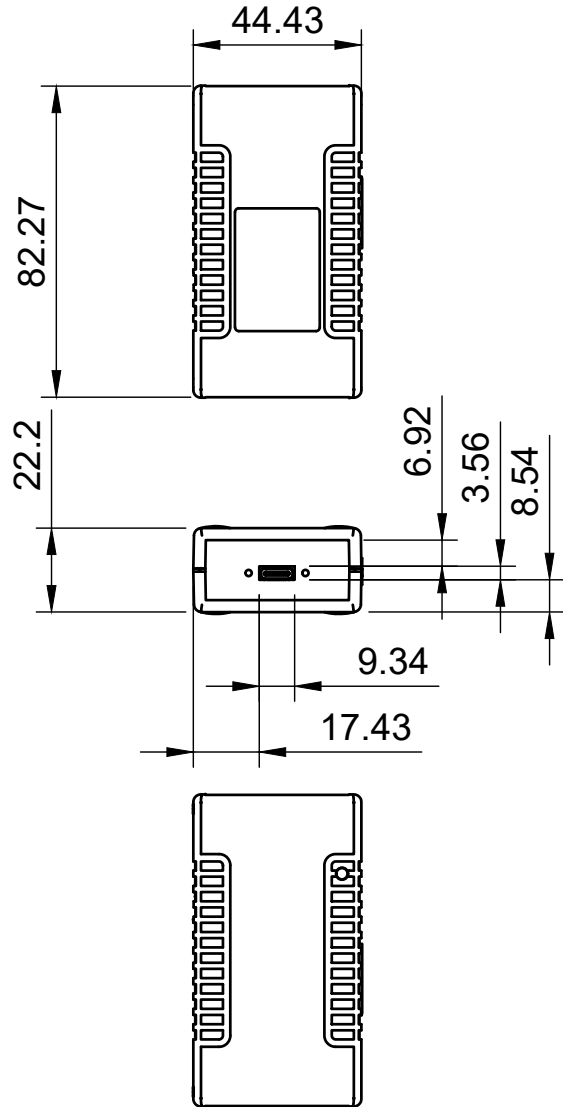
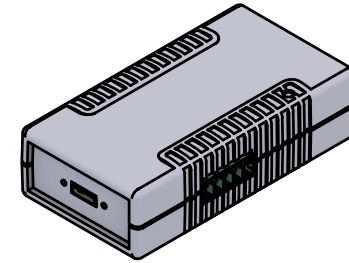

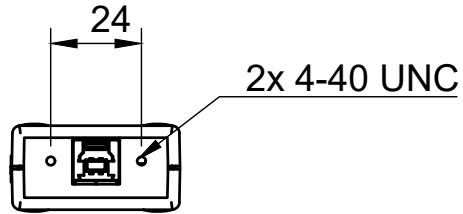
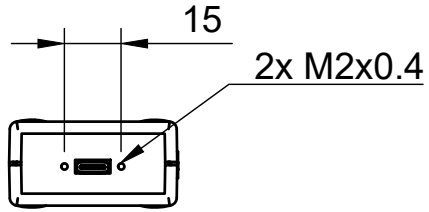


Basic Measurements
Port Measurements

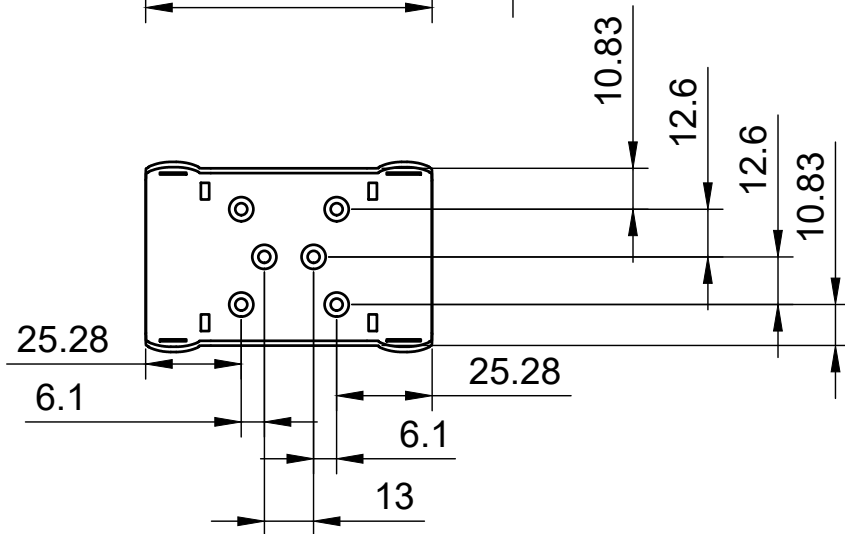
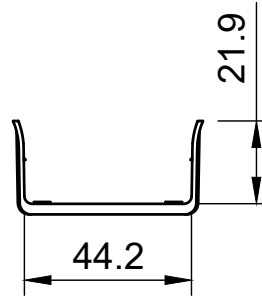
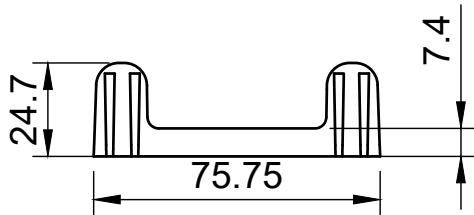
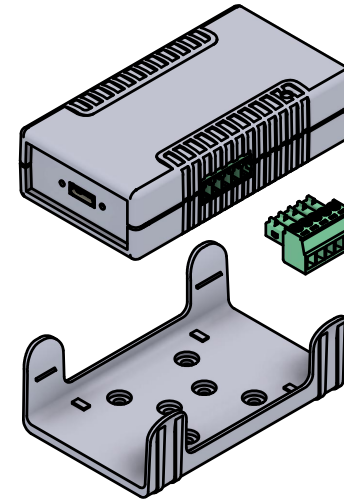



| | | | |
|---|-------------------------------|-------------|--|
|  | | Model #: | |
| | | CG-UCUSBPDB | |
| Drawn by: Leo Pinto | Scale: 1:2 | Units: mm | |
| Drawn Date: 4/5/2021 | Tolerance: +/- 0.15mm | | |
| Notes: | Contact: support@coolgear.com | | |
| | Web: coolgear.com | | |
| | A4 | 1/3 | |

Detailed Port Measurements
Accessories

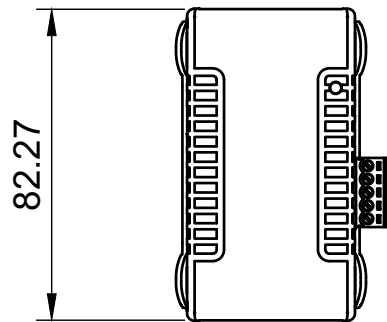
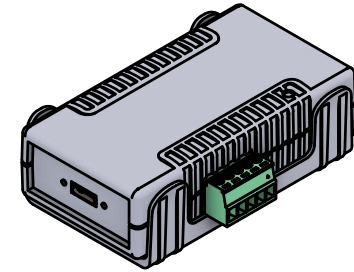
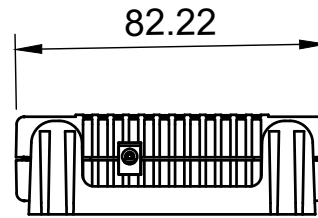
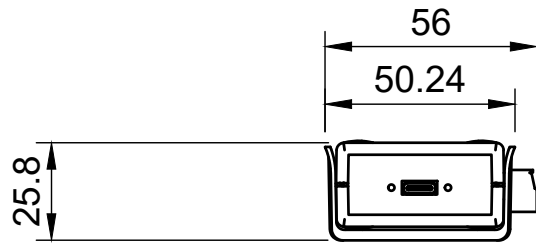



Exploded View



| | | | |
|---|--|-------------------------------|-----------|
|  | | Model #: | |
| | | CG-UCUSBPDB | |
| Drawn by: Leo Pinto | | Scale: 1:2 | Units: mm |
| Drawn Date: 4/5/2021 | | Tolerance: +/- 0.15mm | |
| Notes: | | Contact: support@coolgear.com | |
| | | Web: coolgear.com | |
| | | A4 | 2/3 |

Measurements with accesories



| | | | |
|---|--|--------------------------------|-----------|
|  | | Model #: CG-UCUSBPDB | |
| Drawn by: Leo Pinto | | Scale: 1:2 | Units: mm |
| Drawn Date: 4/5/2021 | | Tolerance: +/- 0.15mm | |
| Notes: | | Contact: support@coolgear.com | |
| | | Web: coolgear.com | |
| | | A4 | 3/3 |