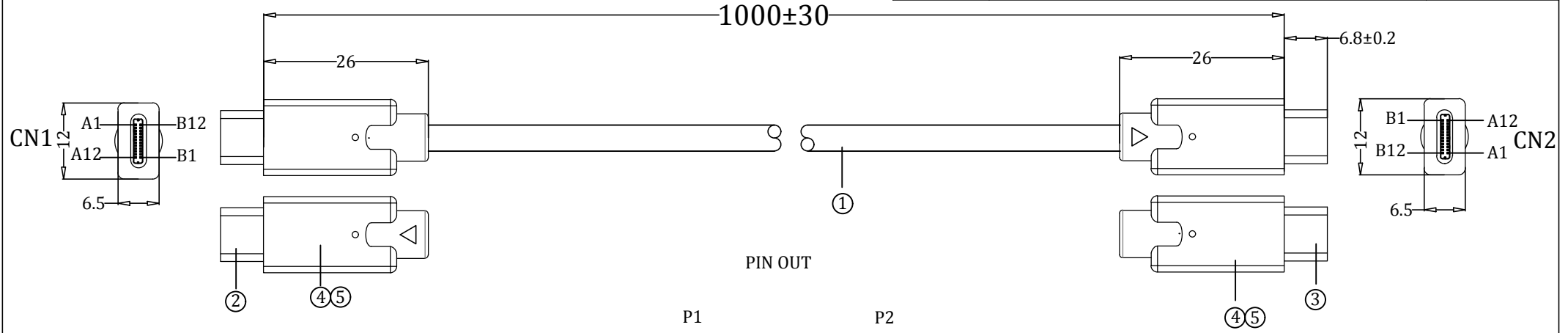
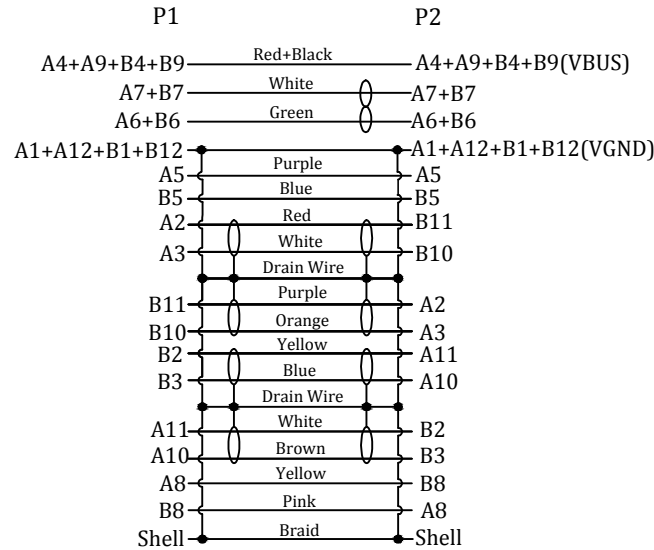


RoHS Compliant

Rev	Modification	Date
A1	Issue	07/13/2016



PIN OUT

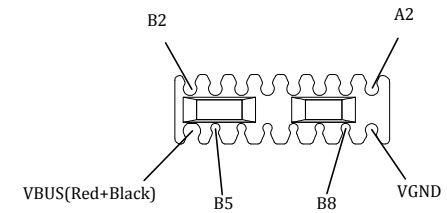
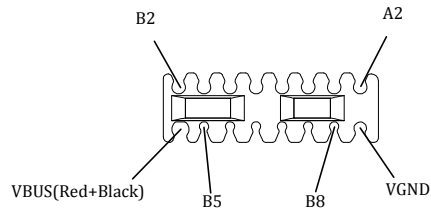
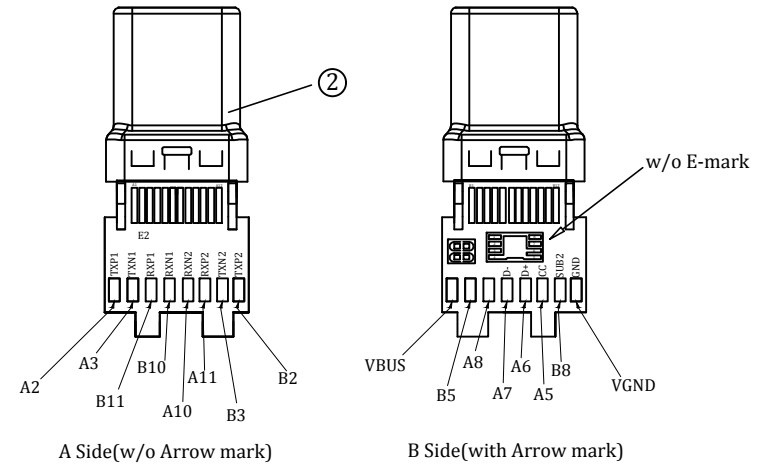
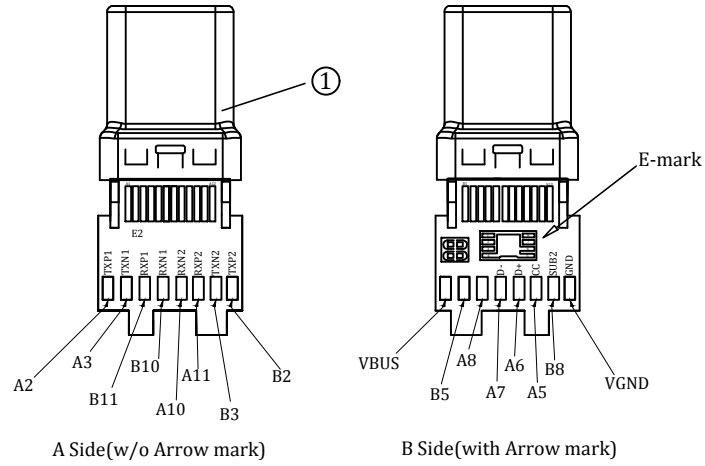


Electronic Tests:

- A. Open/Short/Intermittence: 100%
- B. Hi-Pot: AC 300V 0.01S 1mA
- C. Insulation Resistance: DC 300V 0.01S 10MΩ Min
- D. Conductive Resistance: 3Ω Max

⑤	Outer Mold	45P PVC, Black	12	G	Projection:	Tolerance: XX=XXX=	Product : USB 3.1 USB-C to USB-C
④	Inner Mold	LDPE	5	G	Scale: None	DWG No.: UB3201	Part No.: CM-CC1M3A
③	Connector	USB3.1 C Male, Pin Gold Flsh, Shell Nickel Plated, with PCB and E-mark(3A)	1	PC	Unit: MM	Page: 1/2	
②	Connector	USB3.1 C Male, Pin Gold Flsh, Shell Nickel Plated, with PCB	1	PC			
①	Cable	USB3.1, [32AWG (7/0.08TC)*1P+D(7/0.08TC)+AL-MY]*4C+32AWG(7/0.08TC)*1P+32AWG (7/0.08TC)*4C+26AWG (7/0.16TC)*2C+AL+B(96/0.08TC), Black PVC Jacket, OD:4.5± 0.2MM	L	MM			
No.	P/No.	Specifications	Q'TY	Unit			

Rev	Modification	Date
A1	Issue	07/13/2016



Projection:		Tolerance:	XX=XXX=	Product :	USB 3.1 USB-C to USB-C
Scale:	None	DWG No.:	UMUB3201	Part No.:	CM-CC1M3A
Unit:	MM	Page:	2/2		

②	Connector	USB3.1 C Male, Pin Gold Fish, Shell Nickel Plated, with PCB	1	PC
①	Connector	USB3.1 C Male, Pin Gold Fish, Shell Nickel Plated, with PCB and E-mark(3A)	1	PC
No.	P/No.	Specifications	Q'TY	Unit