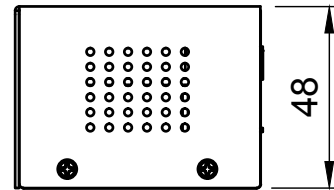
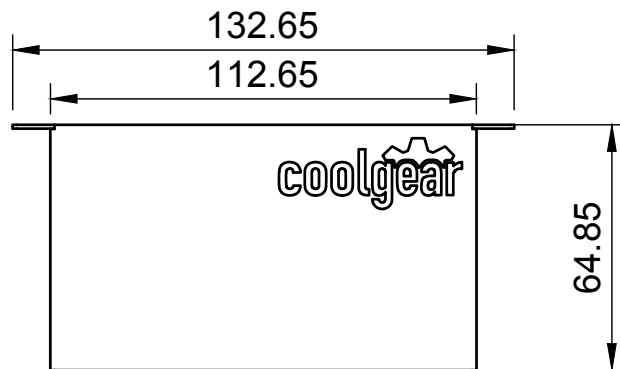
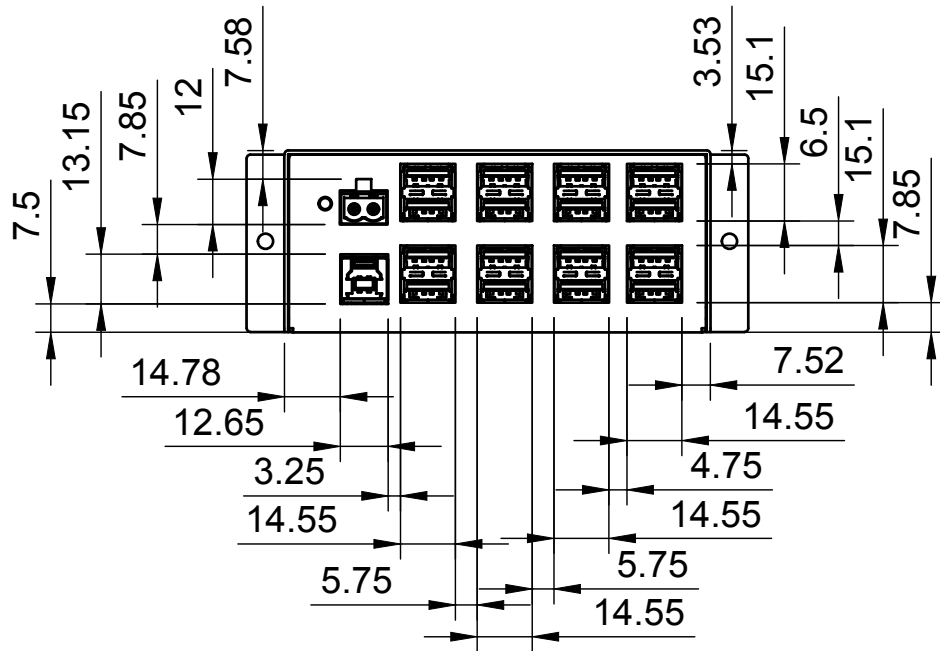

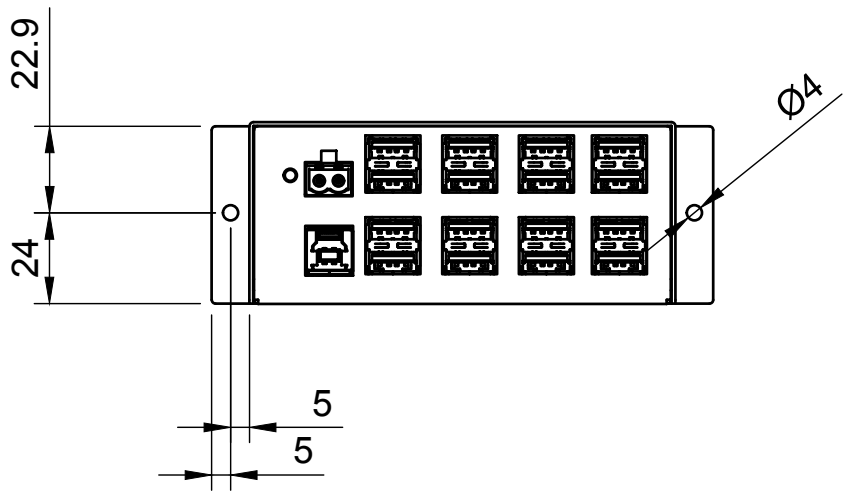
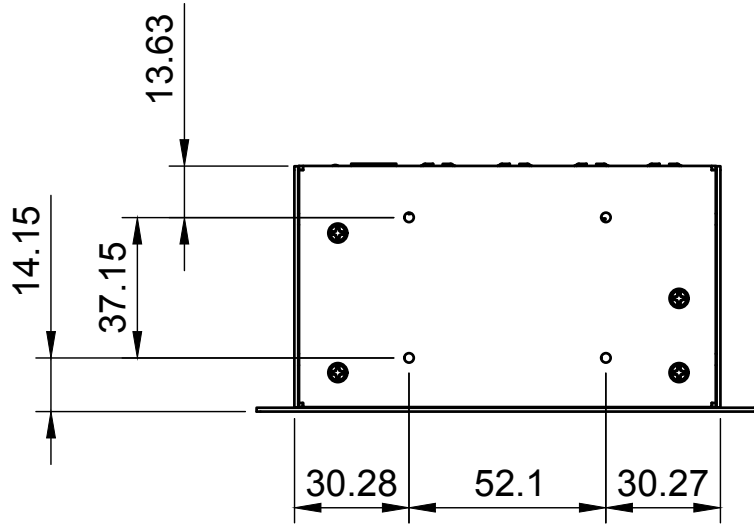



Basic Measurements



		Model #:	
		CG-16PU31H	
Drawn by: Leo Pinto		Scale: 1:2	Units: mm
Drawn Date: 6/8/21		Tolerance: +/- 0.15mm	
Notes:		Contact: support@coolgear.com	
		Web: coolgear.com	
		A4	1/3

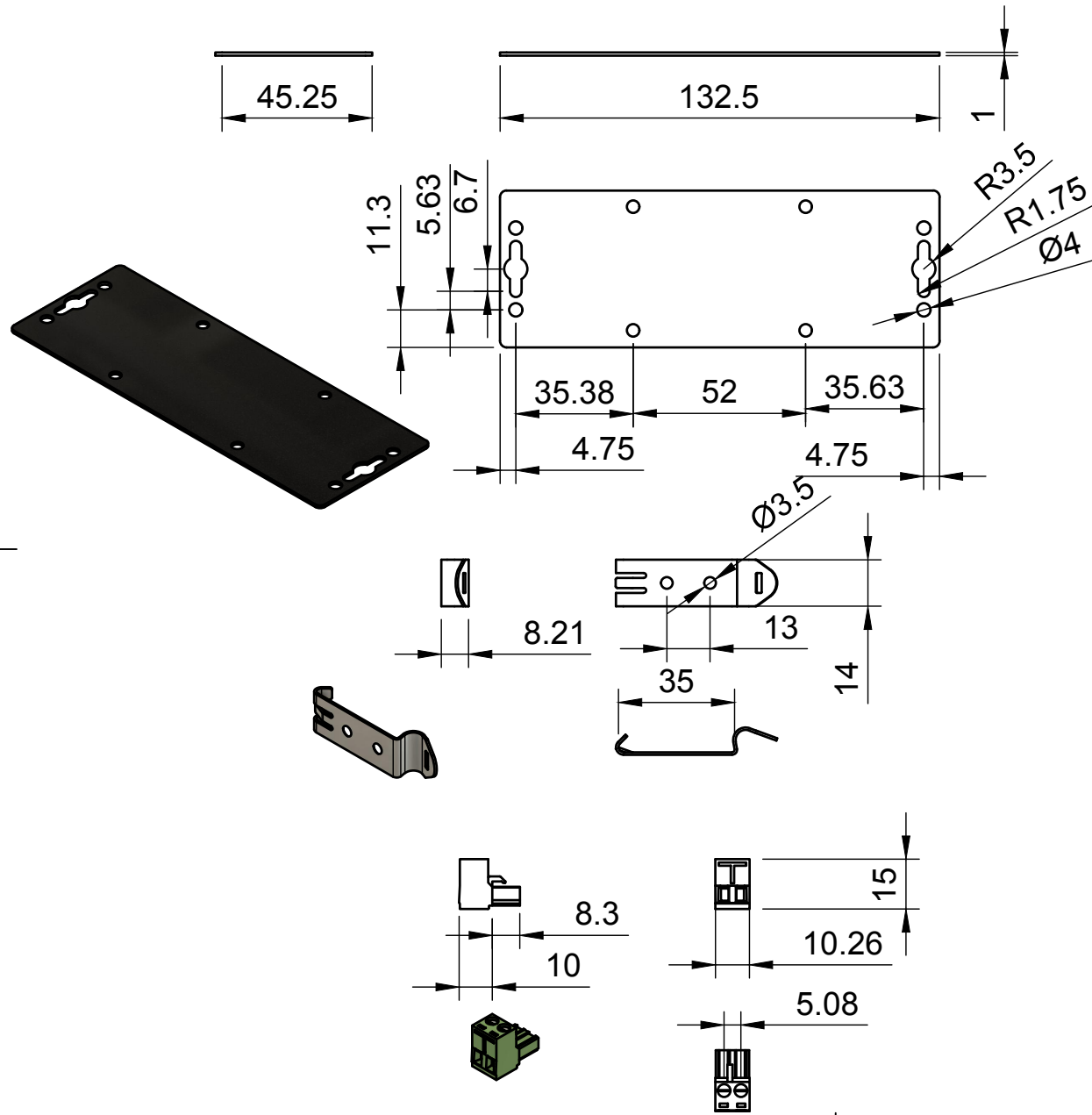
Mounting Holes




		Model #:	
		CG-16PU31H	
Drawn by: Leo Pinto		Scale: 1:2	Units: mm
Drawn Date: 6/8/21		Tolerance: +/- 0.15mm	
Notes:		Contact: support@coolgear.com	
		Web: coolgear.com	
		A4	2/3

Accessories

Exploded View



		Model #:	
		CG-16PU31H	
Drawn by: Leo Pinto		Scale: 1:2	Units: mm
Drawn Date: 6/8/21		Tolerance: +/- 0.15mm	
Notes:		Contact: support@coolgear.com	
		Web: coolgear.com	
		A4	3/3