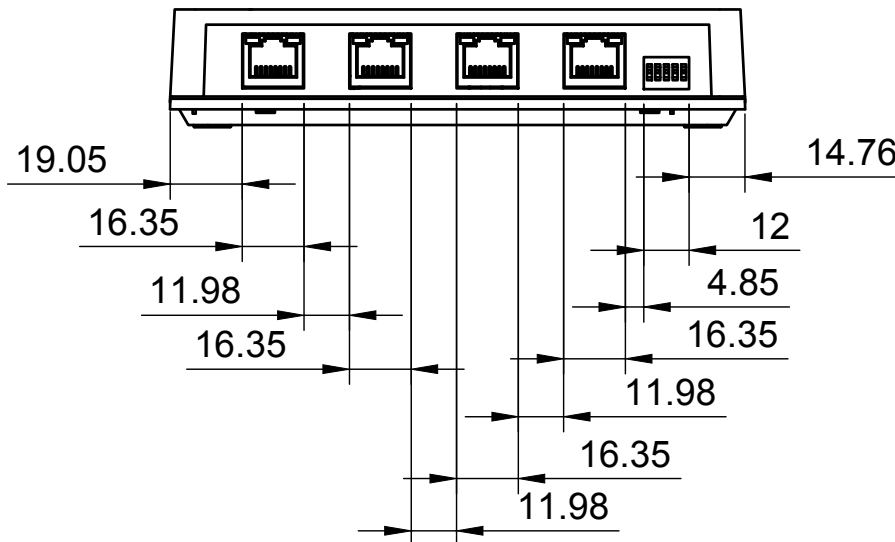
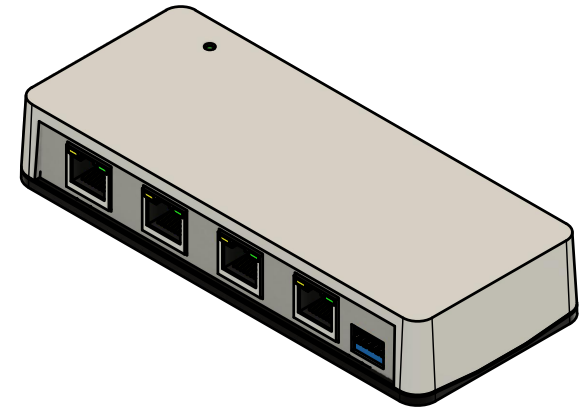
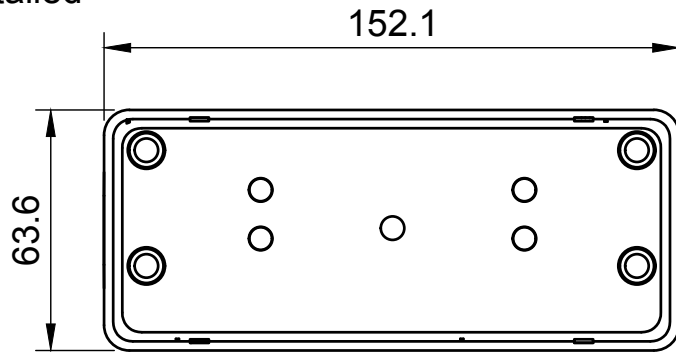

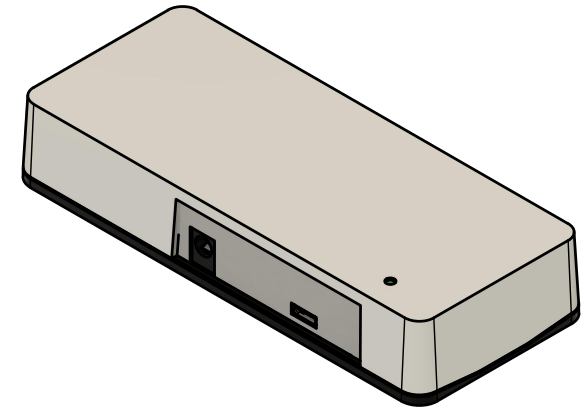
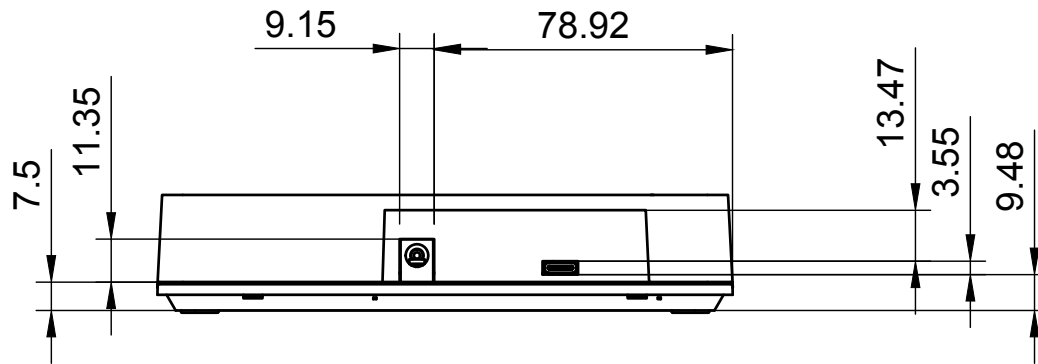



Basic Measurements  
Port Detailed



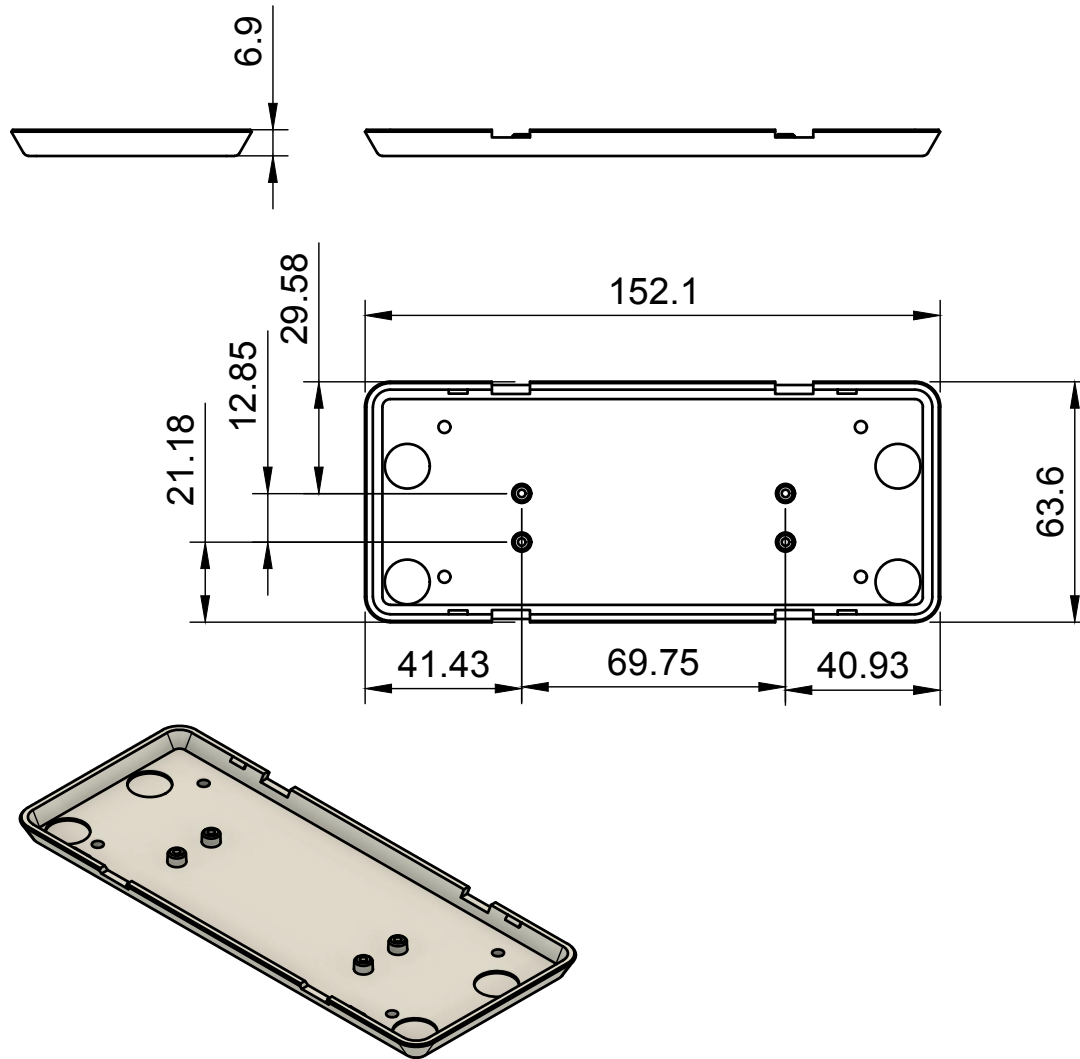
	Model #: CG-4P31G1EA	
	Drawn by: Leo Pinto	Scale: 1:2
Drawn Date: 9/30/2021	Tolerance: +/- 0.15mm	
Notes:	Contact: support@coolgear.com	
	Web: coolgear.com	
	A4	1/3

# Ports Detailed

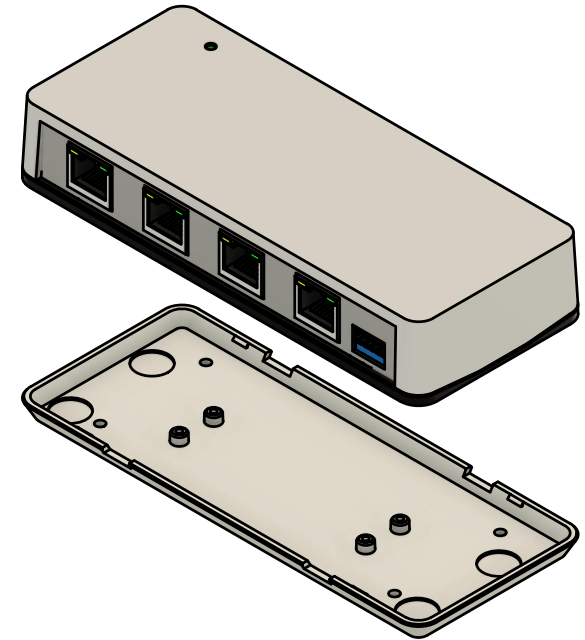



		Model #:	
		CG-4P31G1EA	
Drawn by: Leo Pinto		Scale: 1:2	Units: mm
Drawn Date: 9/30/2021		Tolerance: +/- 0.15mm	
Notes:		Contact: support@coolgear.com	
		Web: coolgear.com	
		A4	2/3

### Accesorios



### Exploded View



		Model #:	
		CG-4P31G1EA	
Drawn by: Leo Pinto		Scale: 1:2	Units: mm
Drawn Date: 9/30/2021		Tolerance: +/- 0.15mm	
Notes:		Contact: support@coolgear.com	
		Web: coolgear.com	
		A4	3/3