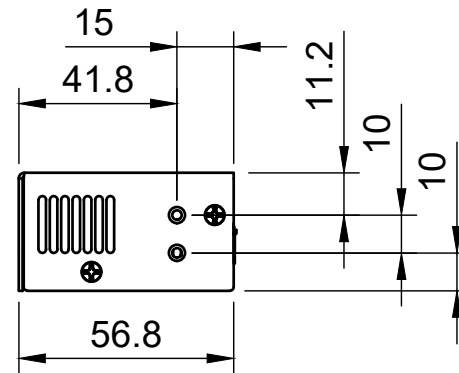
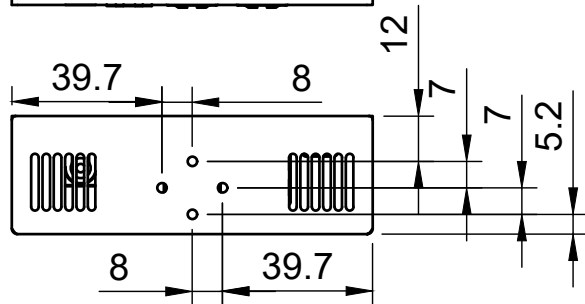
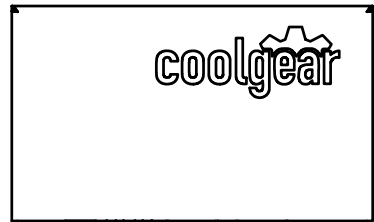
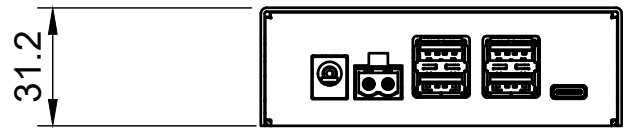
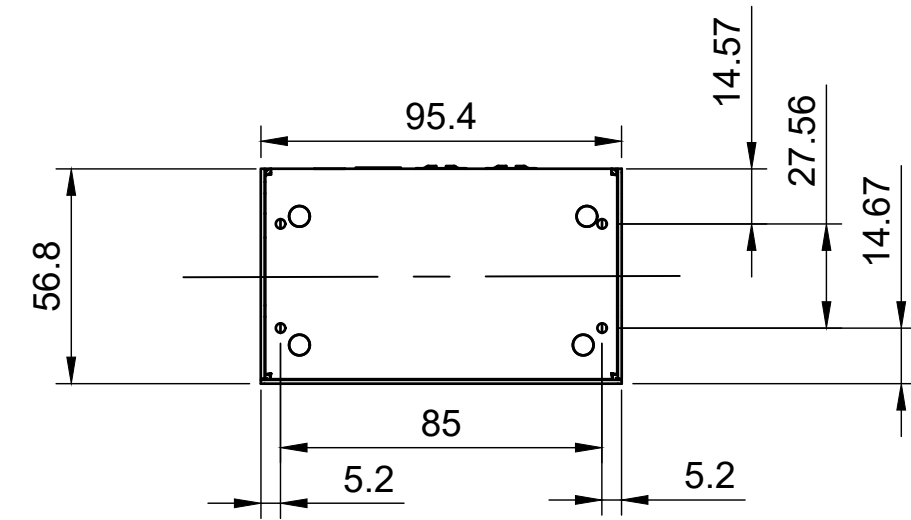

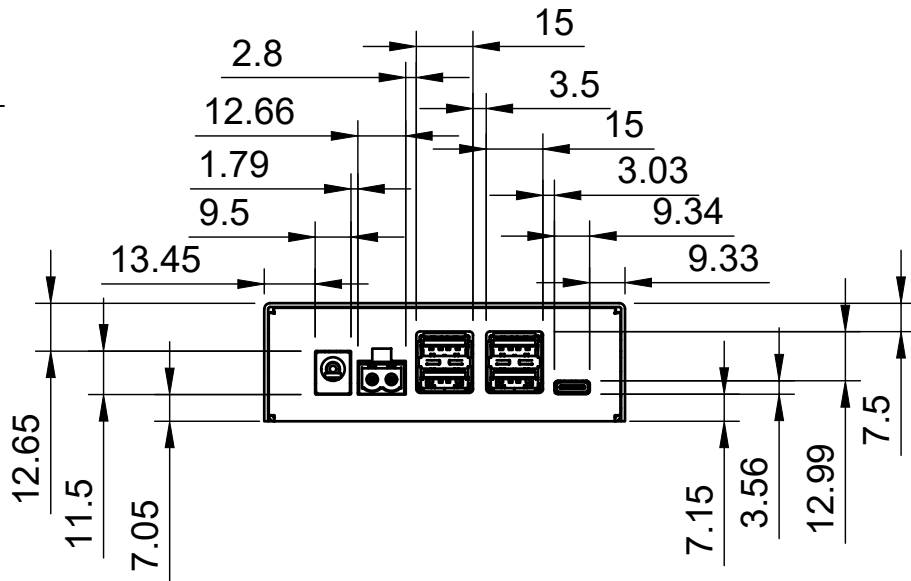


Basic Measurements Mounting Holes

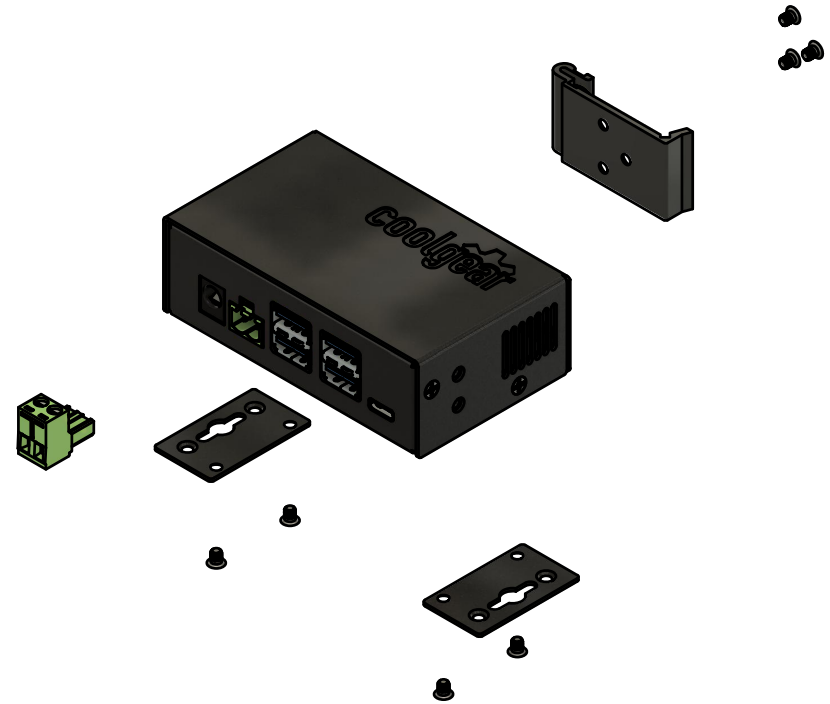



		Model #:	
		CG-UC4AQC3 LPV	
Drawn by: Leo Pinto		Scale: 1:2	Units: mm
Drawn Date: 3/29/2021		Tolerance: +/- 0.15mm	
Notes:		Contact: support@coolgear.com	
		Web: coolgear.com	
		A4	1/3

Detailed Port Holes



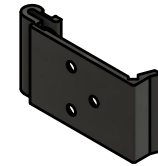
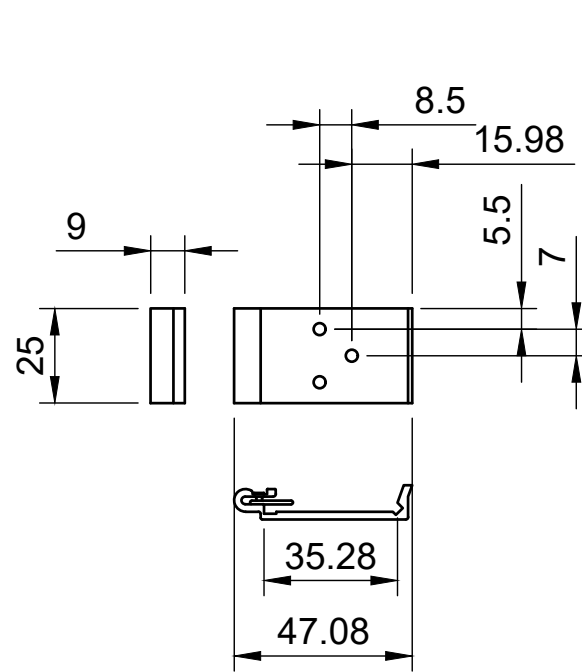
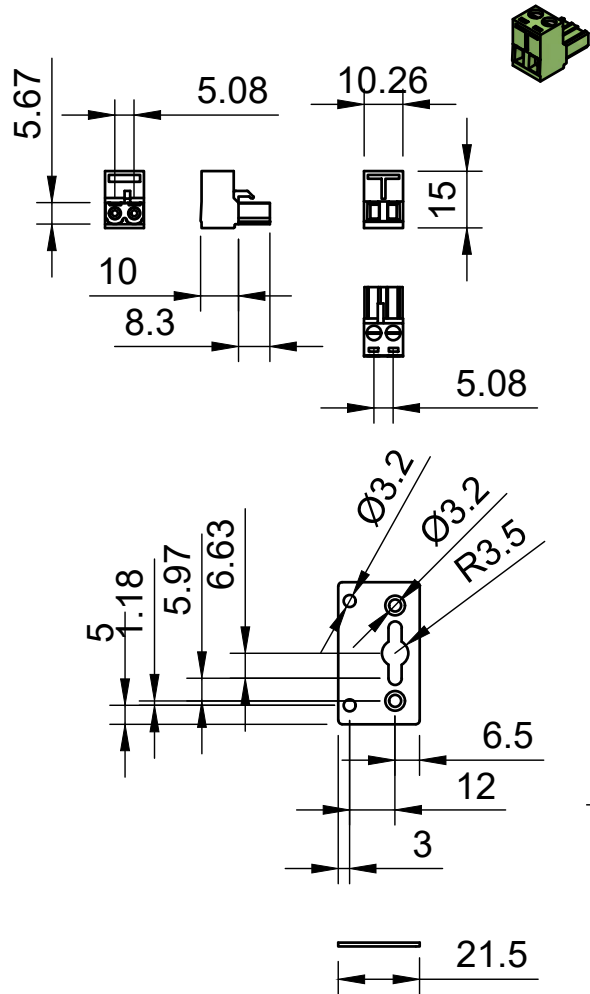
Exploded View




		Model #:	
		CG-UC4AQC3 LPV	
Drawn by: Leo Pinto		Scale: 1:2	Units: mm
Drawn Date: 3/29/2021		Tolerance: +/- 0.15mm	
Notes:		Contact: support@coolgear.com	
		Web: coolgear.com	
		A4	2/3

Accessories

- Phoenix Connector
- 2x Mounting Plates
- DIN Clip Rail



		Model #:	
		CG-UC4AQC3 LPV	
Drawn by: Leo Pinto		Scale: 1:2	Units: mm
Drawn Date: 3/29/2021		Tolerance: +/- 0.15mm	
Notes:		Contact: support@coolgear.com	
		Web: coolgear.com	
		A4	3/3