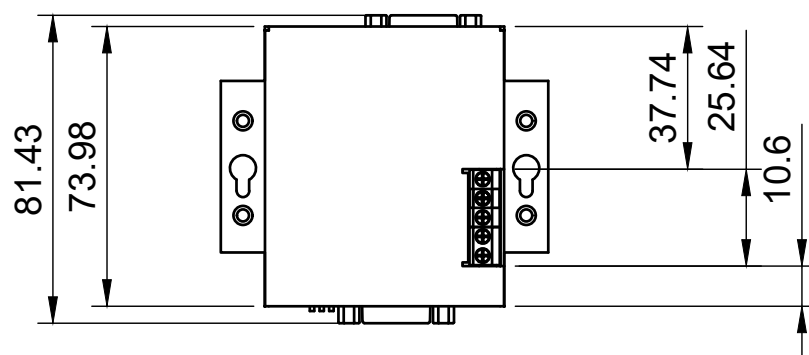
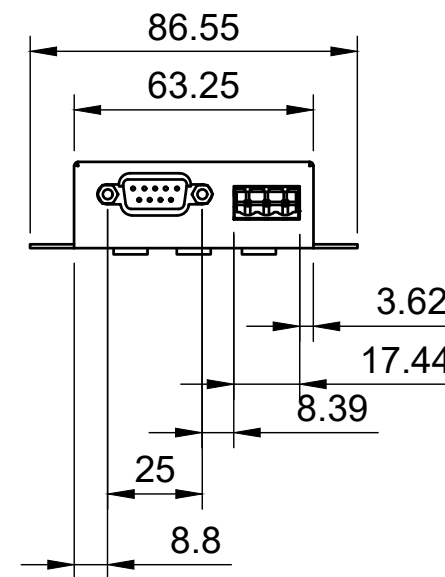
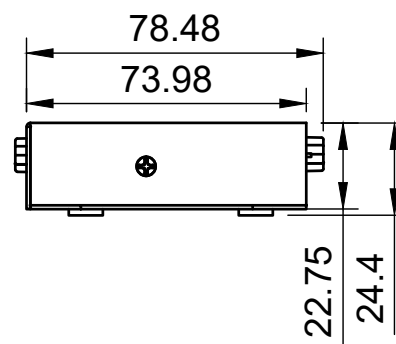
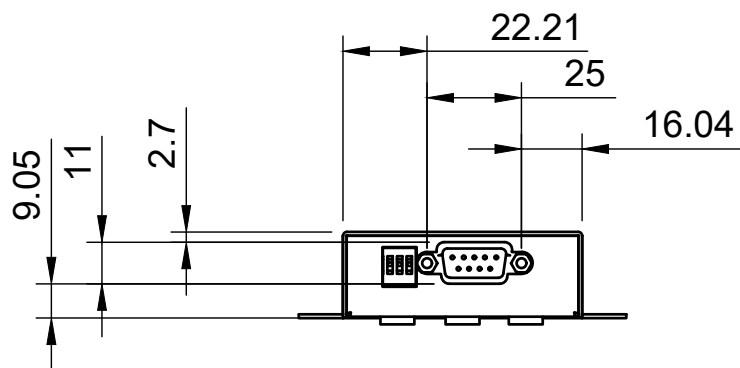

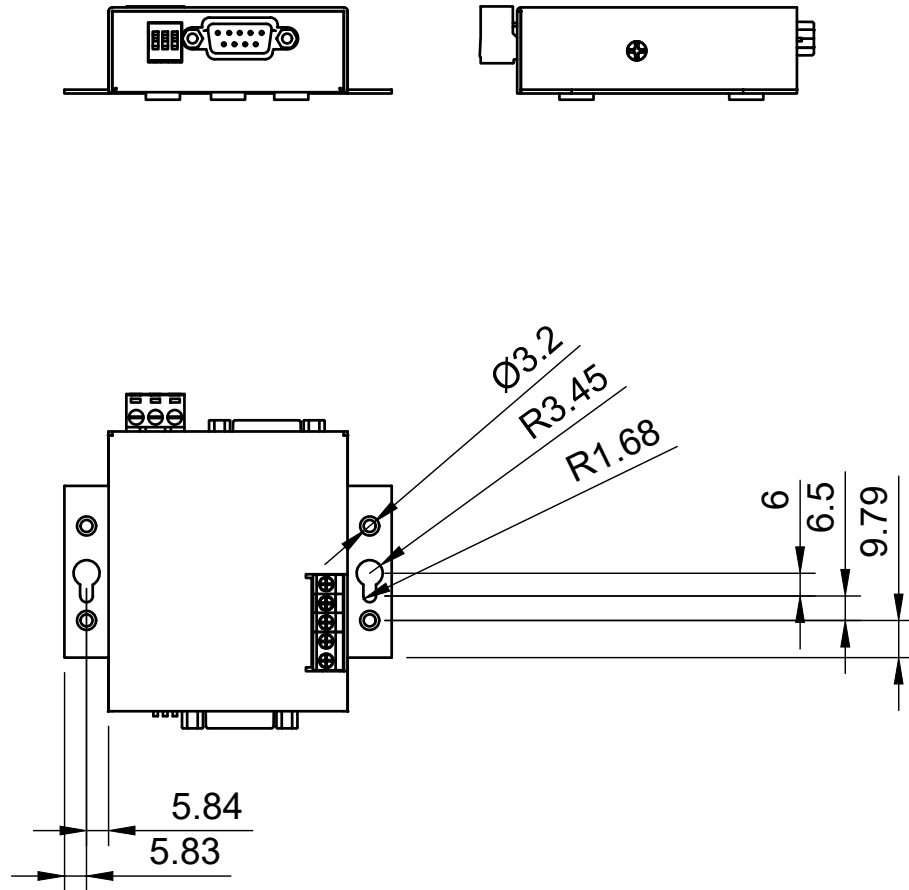


Basic Measurements
Detailed Port Measurements

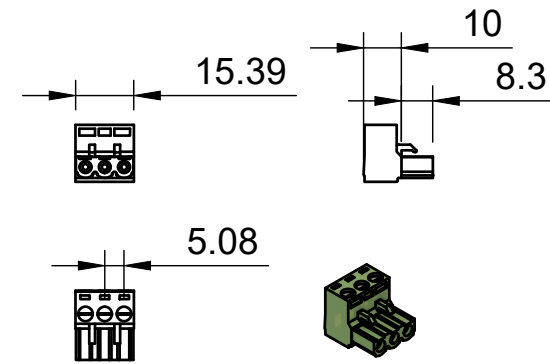



		Model #:	
		CG-1P232CAN	
Drawn by: Leo Pinto		Scale: 1:2	Units: mm
Drawn Date: 11/14/2021		Tolerance: +/- 0.15mm	
Notes:		Contact: support@coolgear.com	
		Web: coolgear.com	
		A4	1/2

Mounting Holes Measurements



Accessories



		Model #:	
		CG-1P232CAN	
Drawn by: Leo Pinto		Scale: 1:2	Units: mm
Drawn Date: 11/14/2021		Tolerance: +/- 0.15mm	
Notes:		Contact: support@coolgear.com	
		Web: coolgear.com	
		A4	2/2