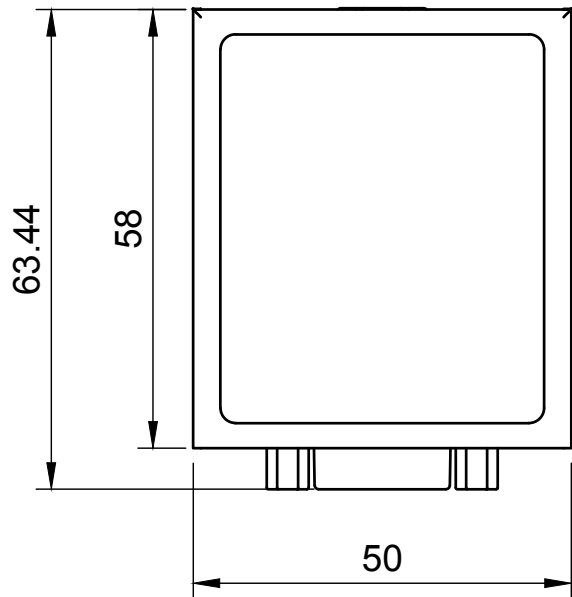
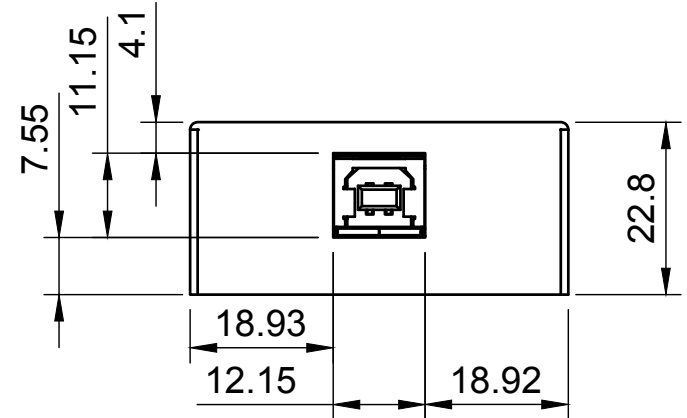
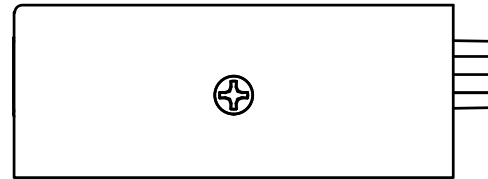
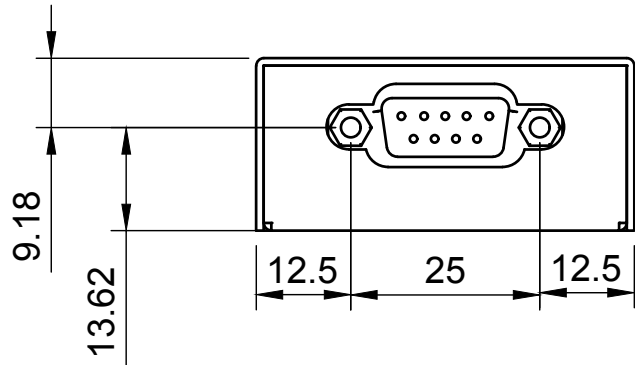



Basic Measurements  
Port Detailed



	Model #: CG-1PRTMCAN	
	Drawn by: Leo Pinto	Scale: 1:1
Drawn Date: 8/27/21	Tolerance: +/- 0.15mm	
Notes:	Contact: support@coolgear.com	
	Web: coolgear.com	
	A4	1/1