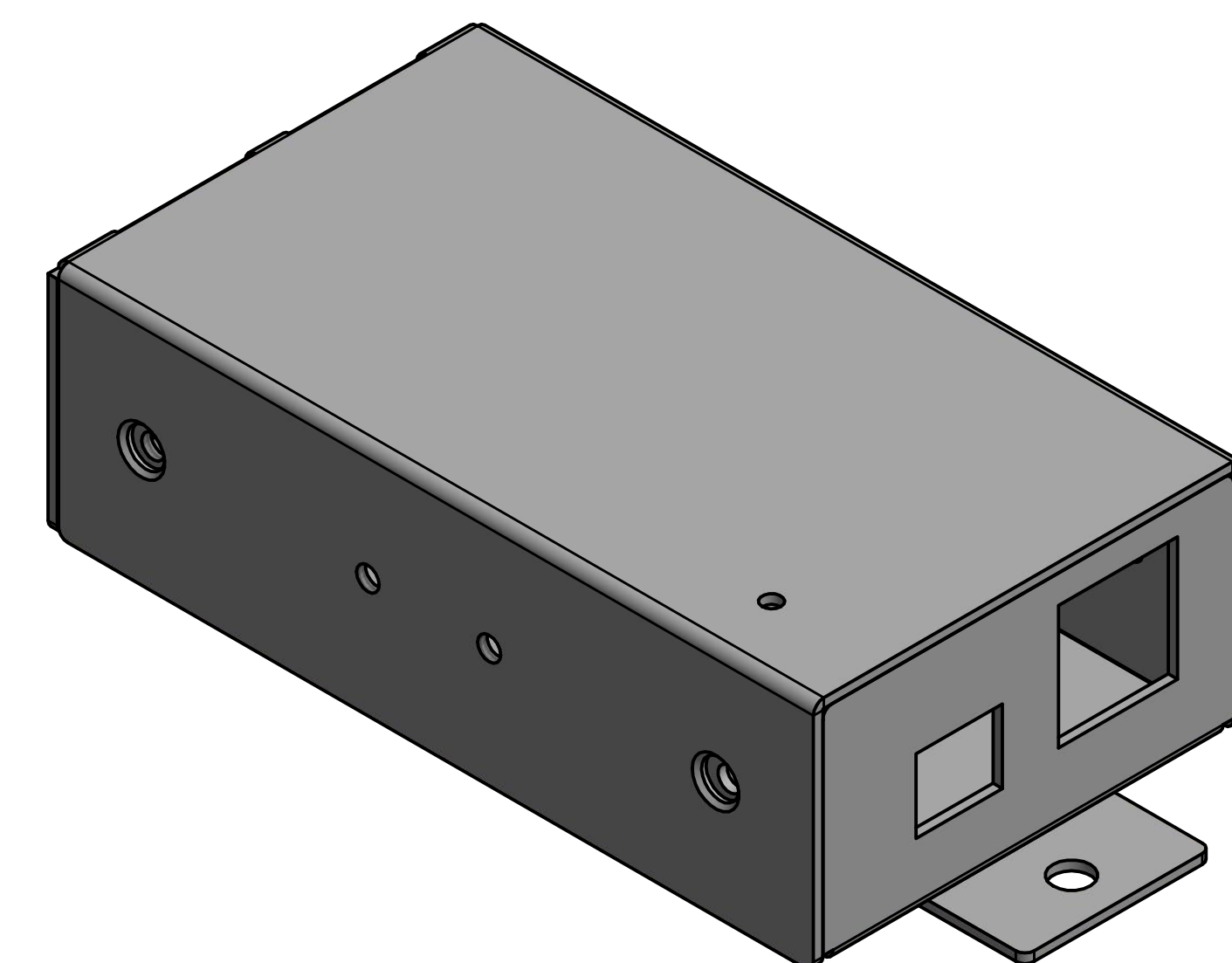
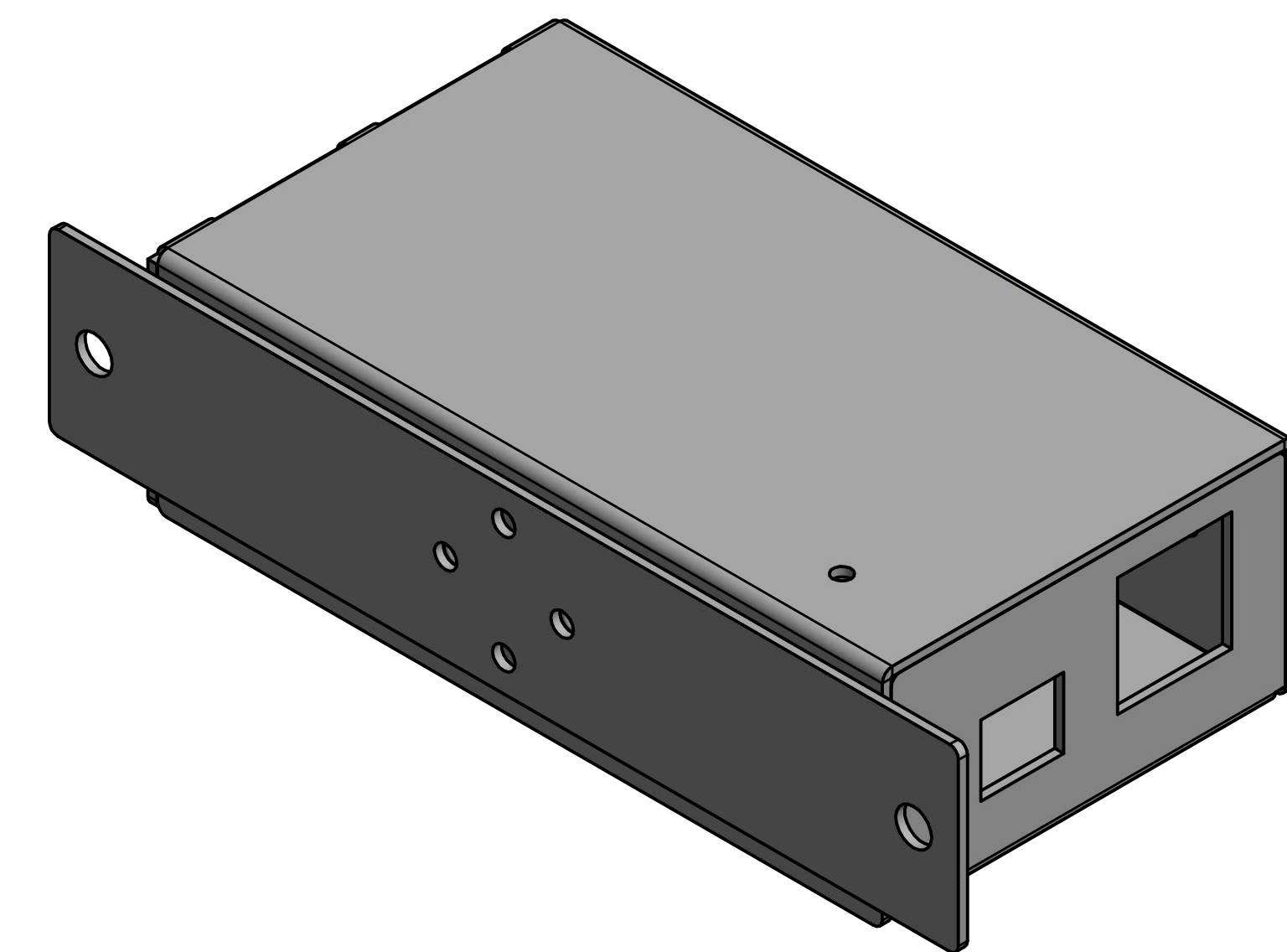
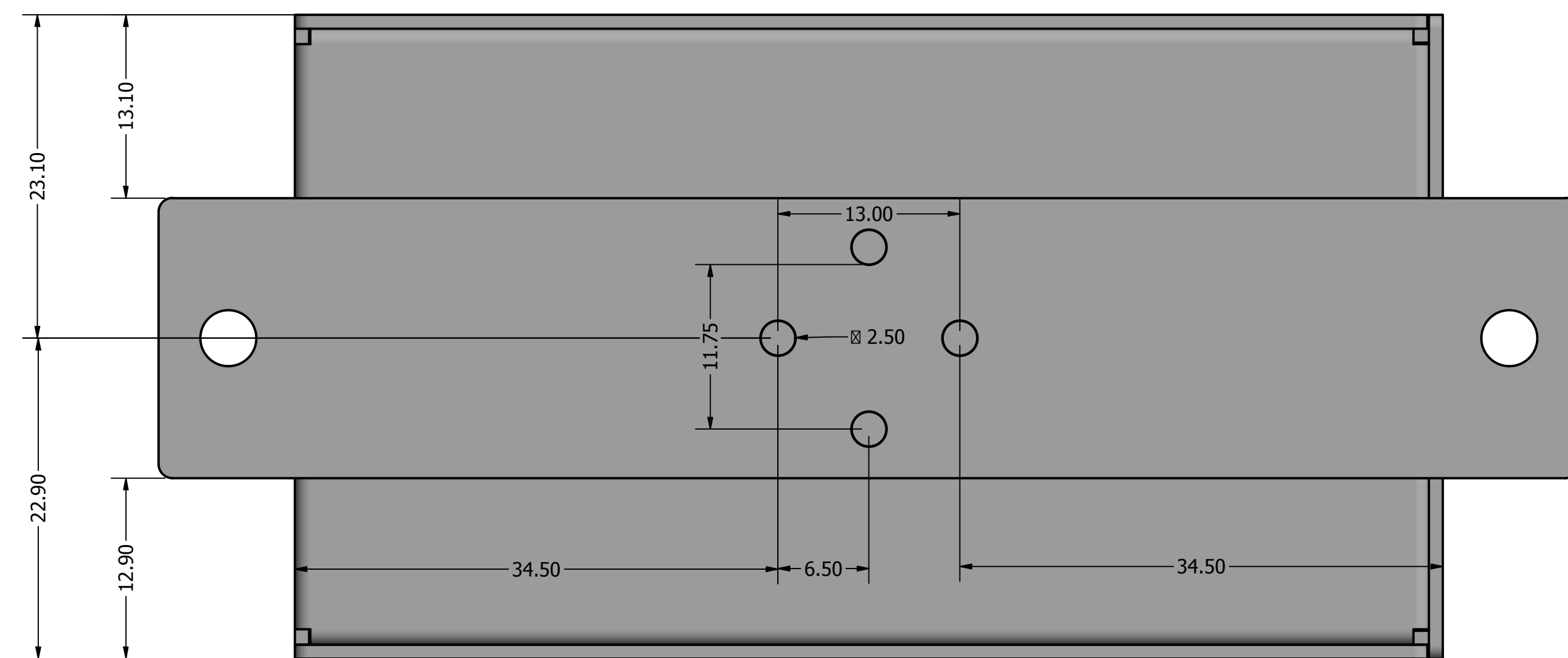
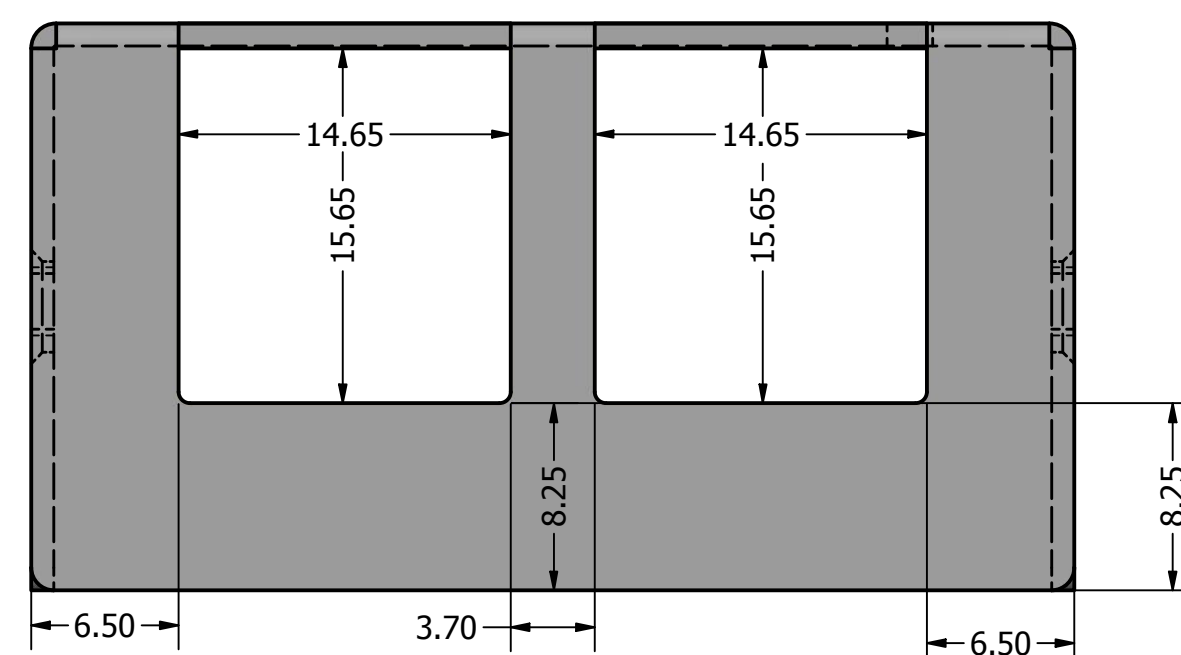
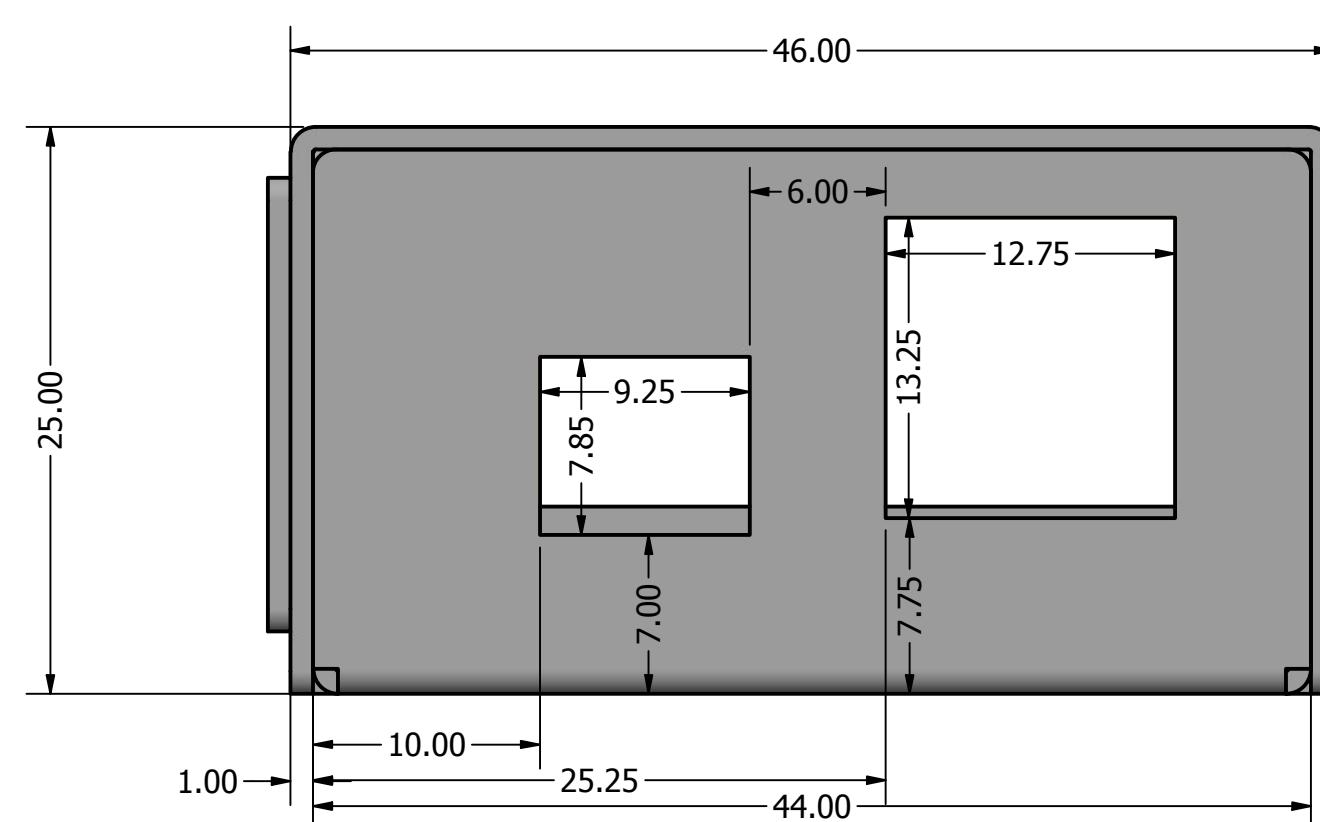
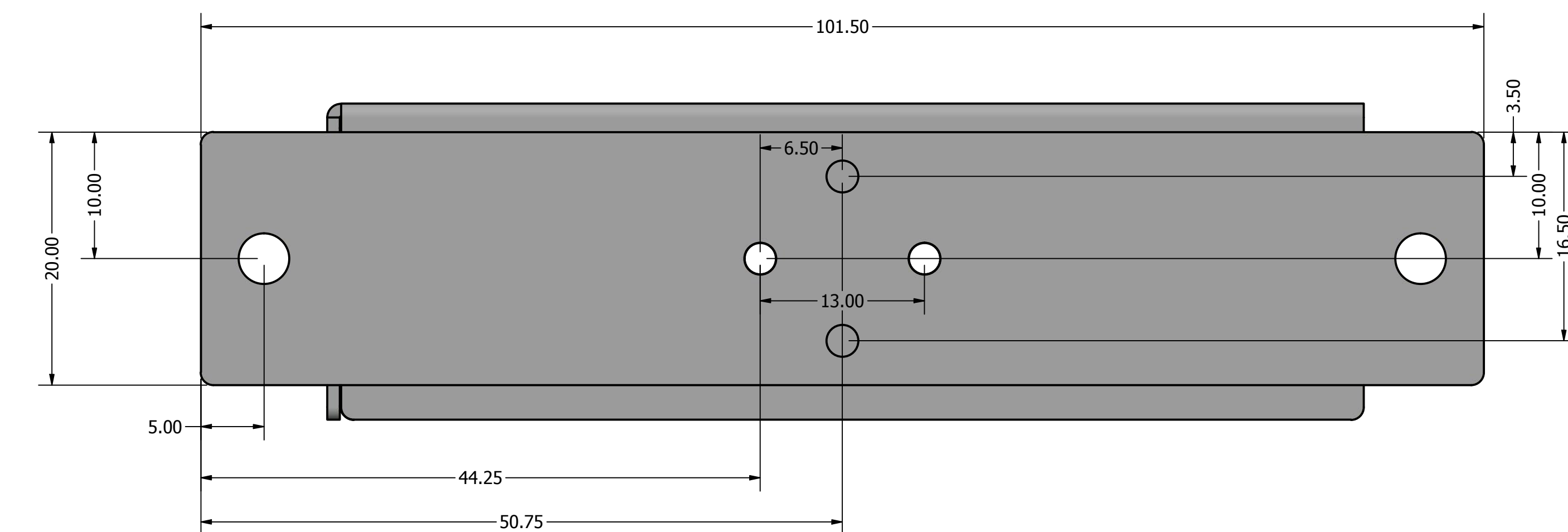
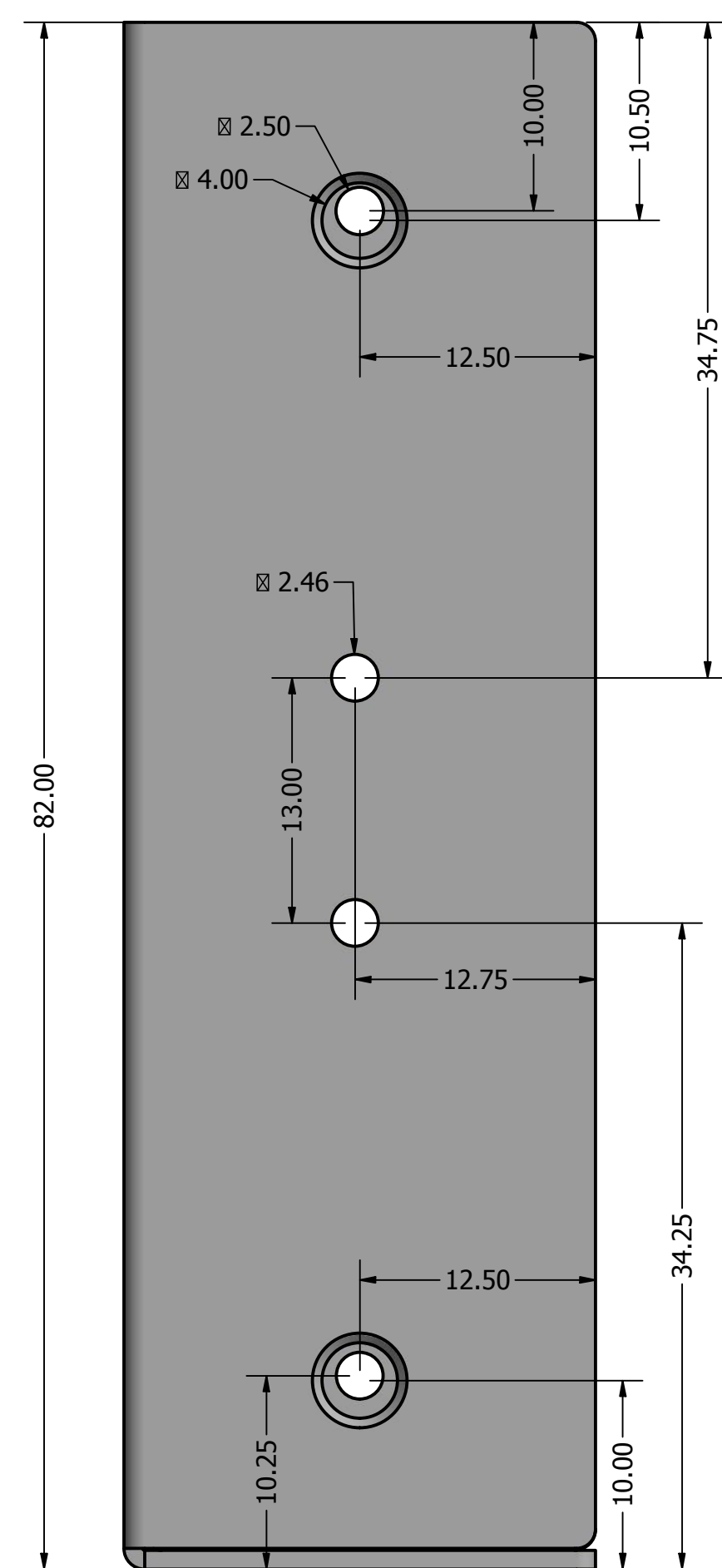


8 7 6 5 4 3 2 1



MODEL #: CG-MIC4P31HW	
NOTES:	
SCALE: 1mm = 1mm	
TOLERANCE: +/- 0.15 mm	
CONTACT: support@coolgear.com	
DRAW:	
DATE: 7/05/2019	
UNIT: mm	
SITE: coolgear.com	

8 7 6 5 4 3 2 1