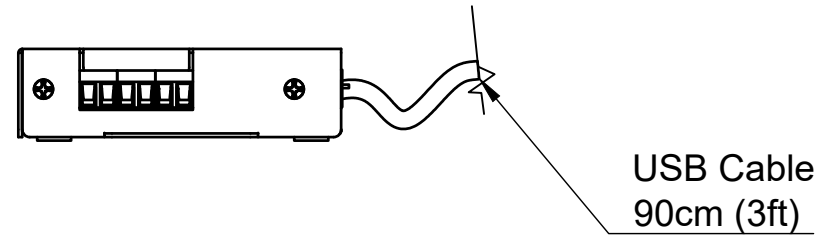
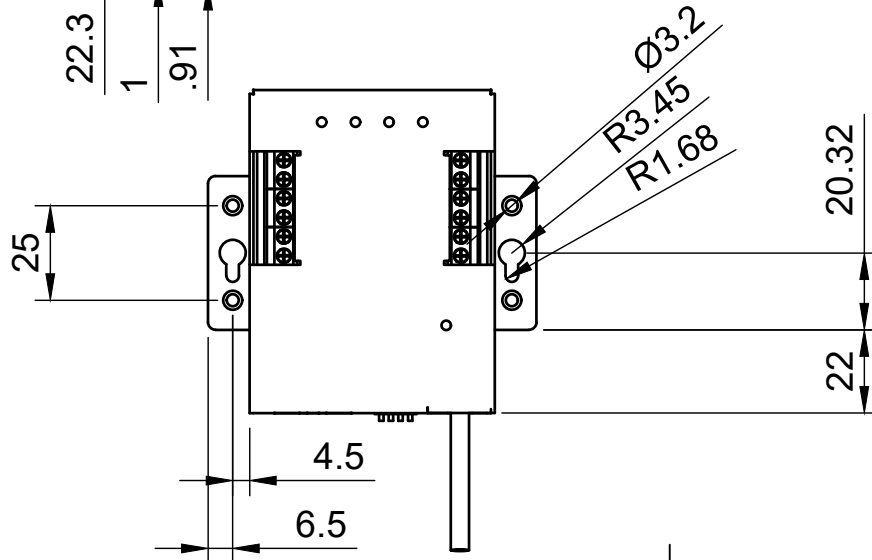
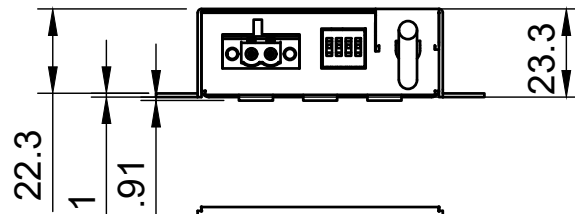
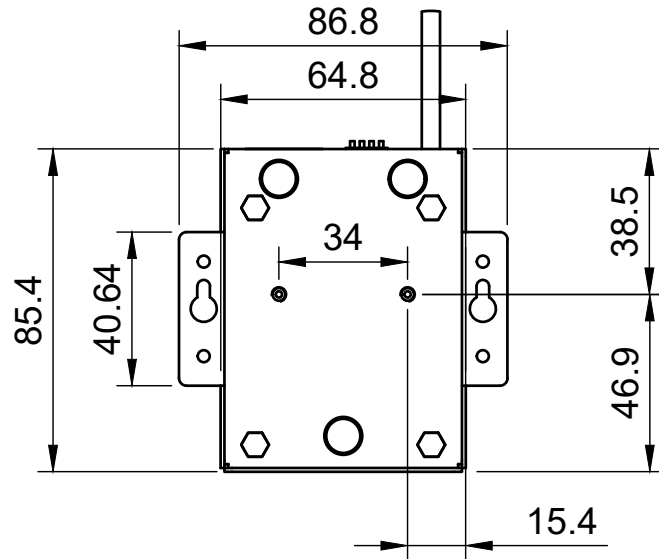

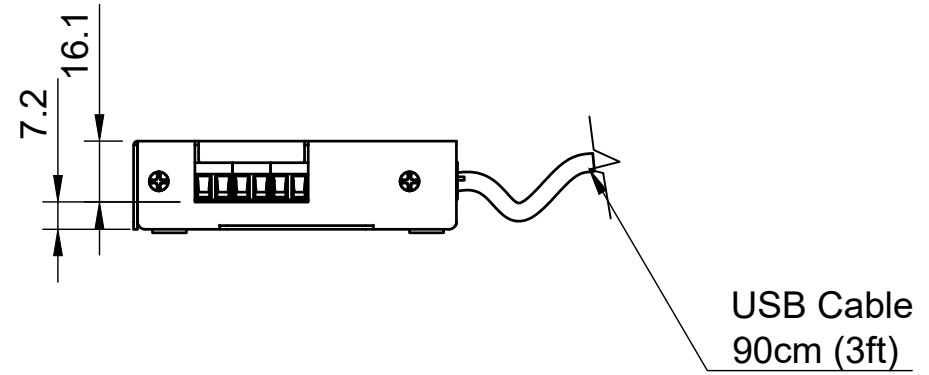
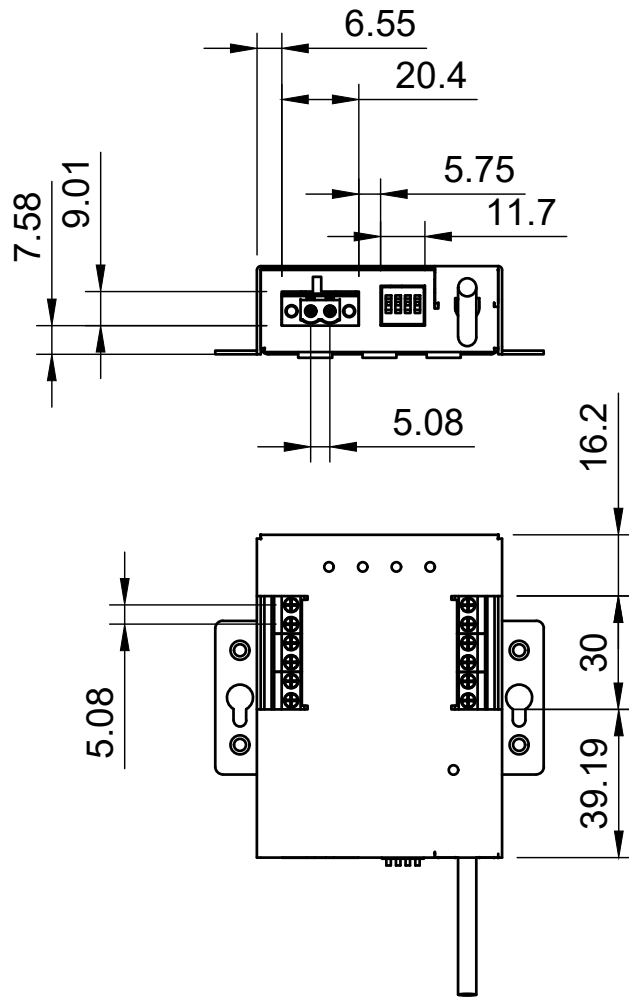



Basic Measurements  
Mounting Holes Measurements



		Model #:	
		CG-UHS4P485	
Drawn by: Leo Pinto	Scale: 1:2	Units: mm	
Drawn Date: 3/31/2021	Tolerance: +/- 0.15mm		
Notes:	Contact: support@coolgear.com		
	Web: coolgear.com		
	A4	1/2	

# Detailed Port Measurements



	Model #: CG-UHS4P485	
	Drawn by: Leo Pinto	Scale: 1:2
Drawn Date: 3/31/2021	Tolerance: +/- 0.15mm	
Notes:	Contact: support@coolgear.com	
	Web: coolgear.com	
	A4	2/2