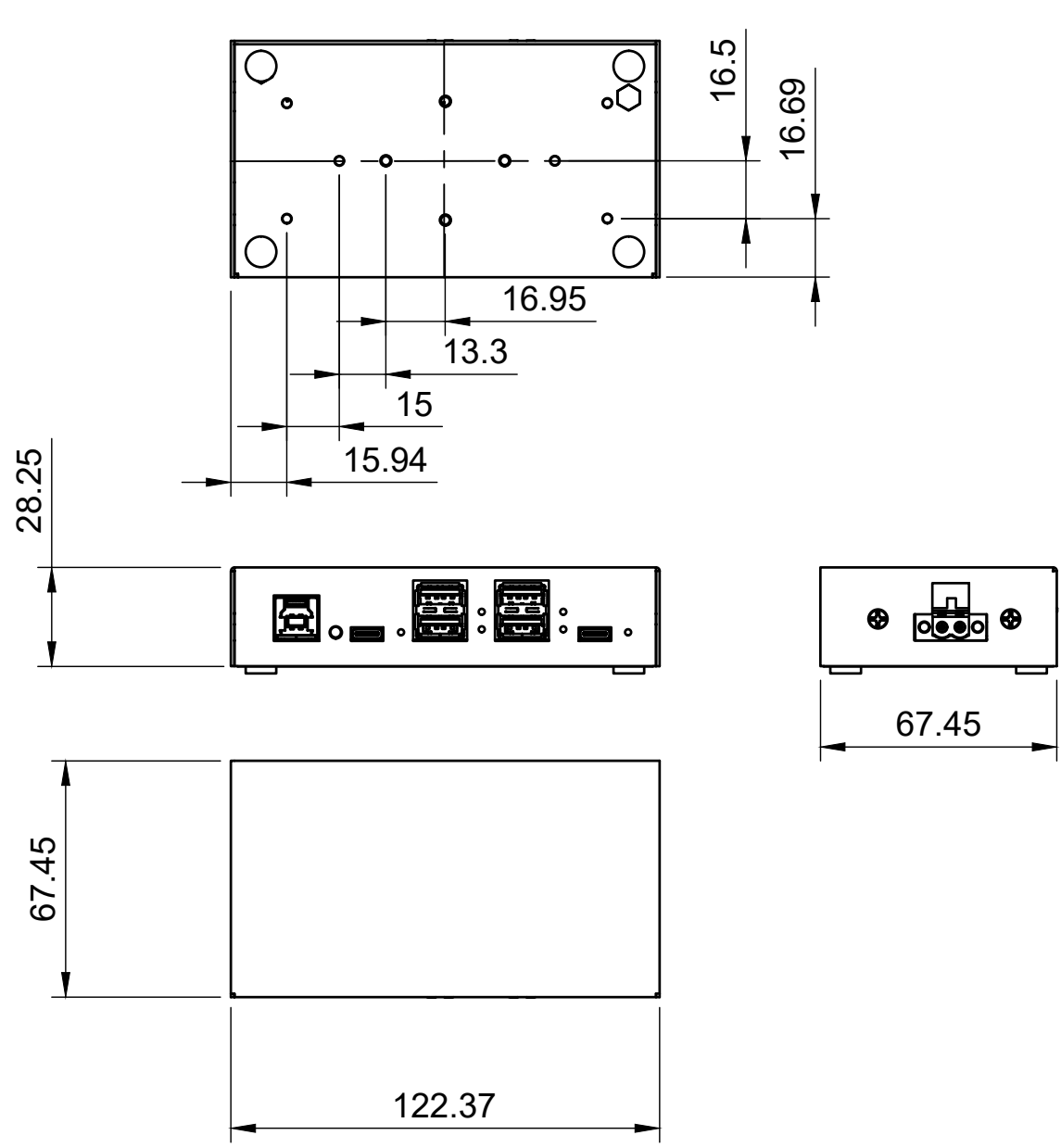

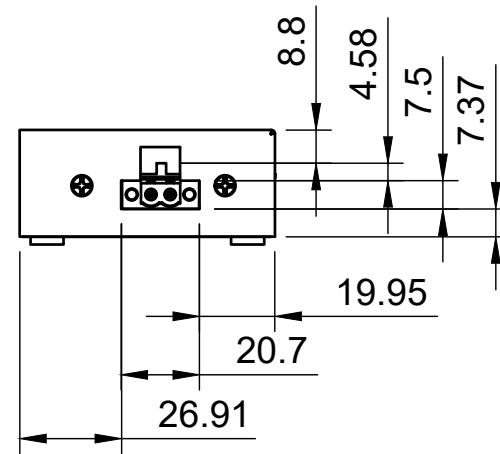
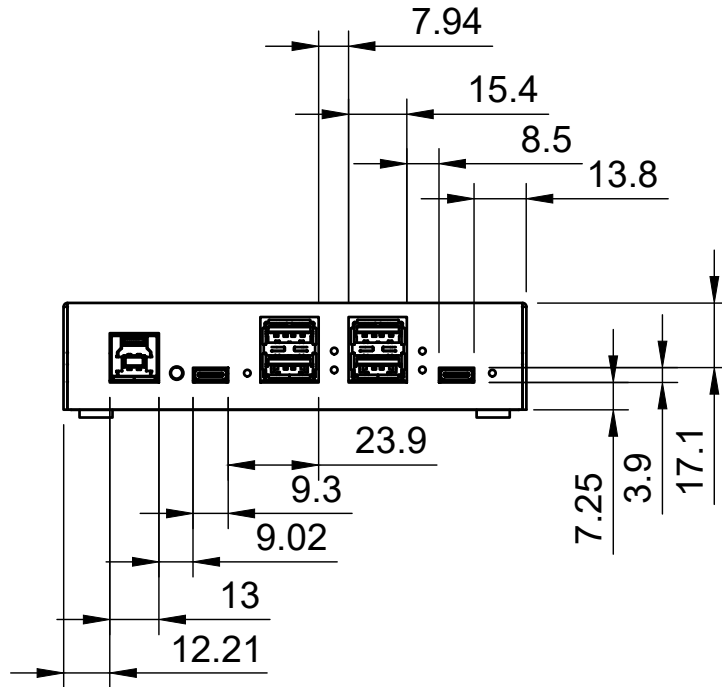



Basic Measurements  
Mounting Holes



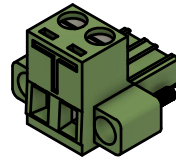
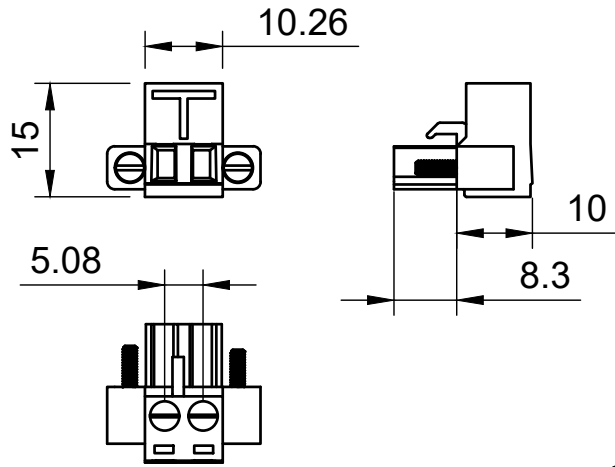
|   |  |                               |           |
|---|--|-------------------------------|-----------|
|  |  | Model #:                      |           |
|   |  | CG-6PU3DH-C                   |           |
| Drawn by: leo.pinto   |  | Scale: 1:2                    | Units: mm |
| Drawn Date: 5/10/2021   |  | Tolerance: +/- 0.15mm         |           |
| Notes:  |  | Contact: support@coolgear.com |           |
|   |  | Web: coolgear.com             |           |
|   |  | A4                            | 1/3       |

# Detailed Port Measurements

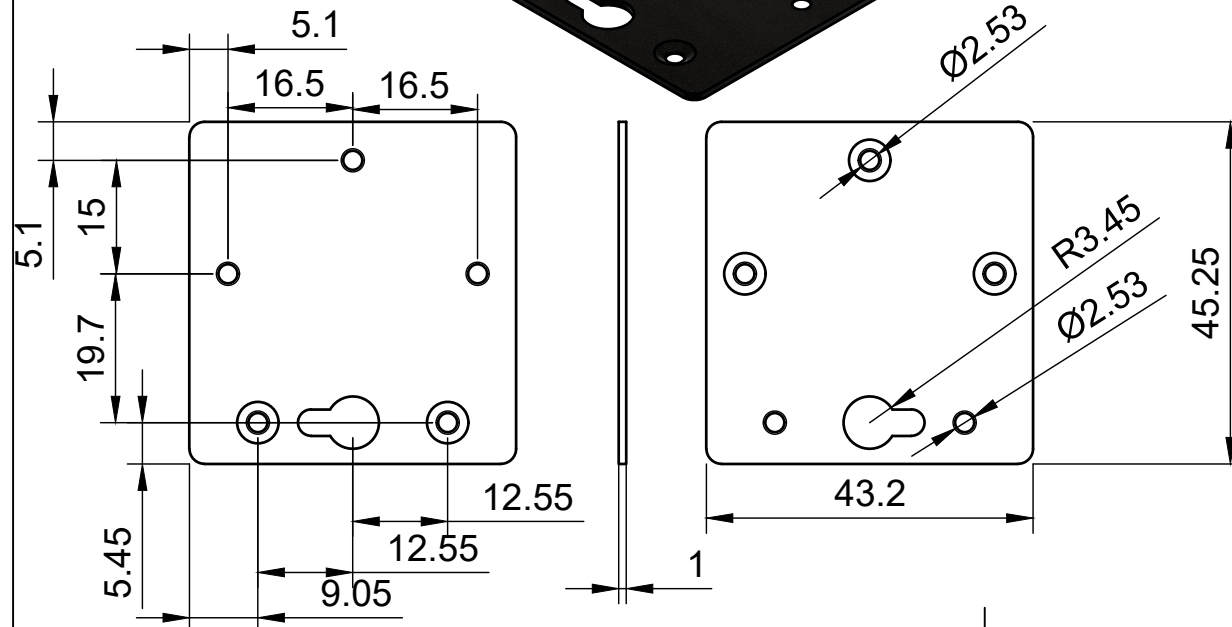


|   |                               |            |
|---|-------------------------------|------------|
|  | Model #: CG-6PU3DH-C          |            |
|   | Drawn by: leo.pinto           | Scale: 1:2 |
| Drawn Date: 5/10/2021   | Tolerance: +/- 0.15mm         |            |
| Notes:  | Contact: support@coolgear.com |            |
|   | Web: coolgear.com             |            |
|   | A4                            | 2/3        |

Accesories  
Scale 1:1




Scale 1:1



Exploded View



|   |  |                               |           |
|---|--|-------------------------------|-----------|
|  |  | Model #:                      |           |
|   |  | CG-6PU3DH-C                   |           |
| Drawn by: leo.pinto   |  | Scale: 1:2                    | Units: mm |
| Drawn Date: 5/10/2021   |  | Tolerance: +/- 0.15mm         |           |
| Notes:  |  | Contact: support@coolgear.com |           |
|   |  | Web: coolgear.com             |           |
|   |  | A4                            | 3/3       |