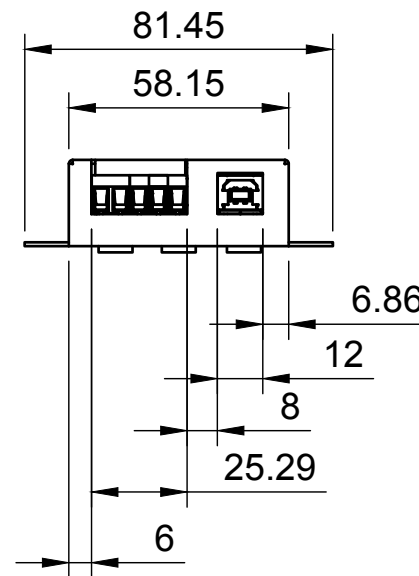
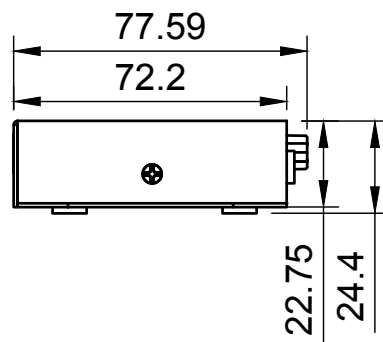
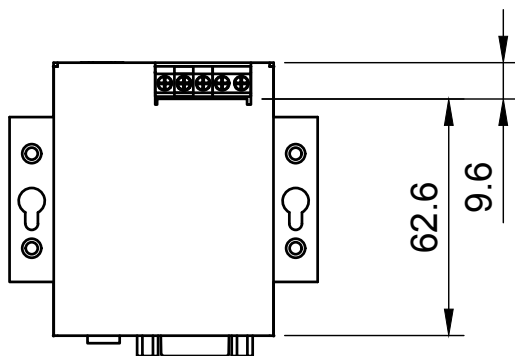
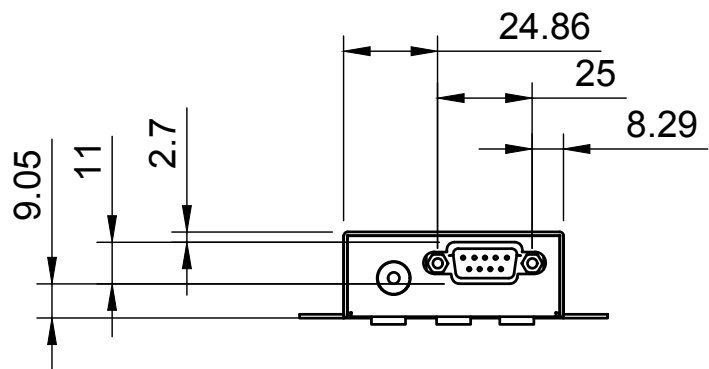

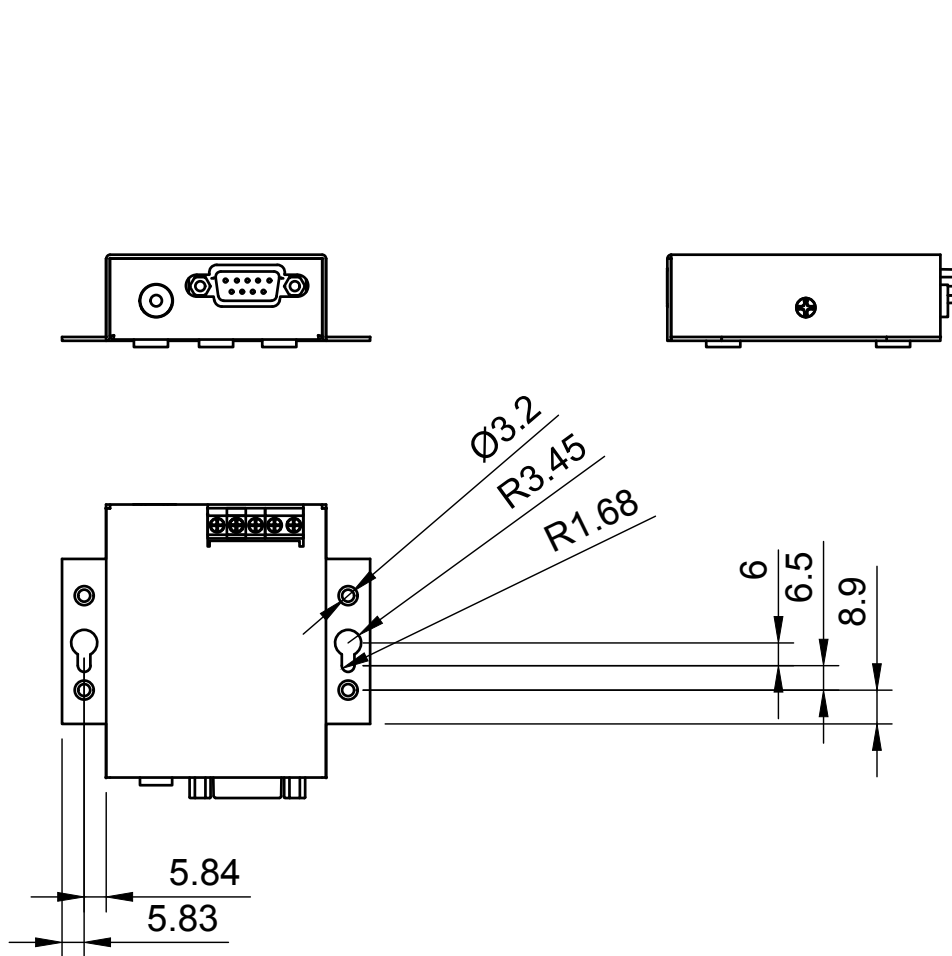



Basic Measurements  
Detailed Port Measurements



	Model #: USB-COMi-PRO	
	Drawn by: Leo Pinto	Scale: 1:2
Drawn Date: 10/13/2021	Tolerance: +/- 0.15mm	
Notes:	Contact: support@coolgear.com	
	Web: coolgear.com	
	A4	1/2

# Mounting Holes Measurements



		Model #:	
		USB-COMi-PRO	
Drawn by: Leo Pinto	Scale: 1:2	Units: mm	
Drawn Date: 10/13/2021	Tolerance: +/- 0.15mm		
Notes:	Contact: support@coolgear.com		
	Web: coolgear.com		
	A4	2/2	