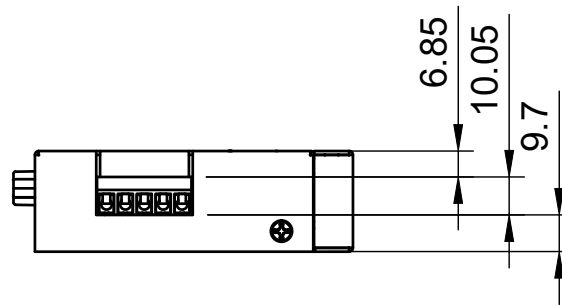
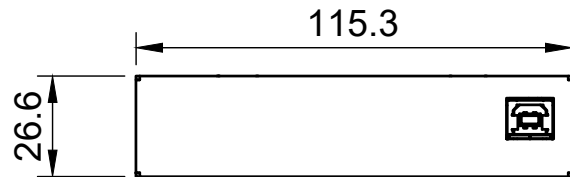
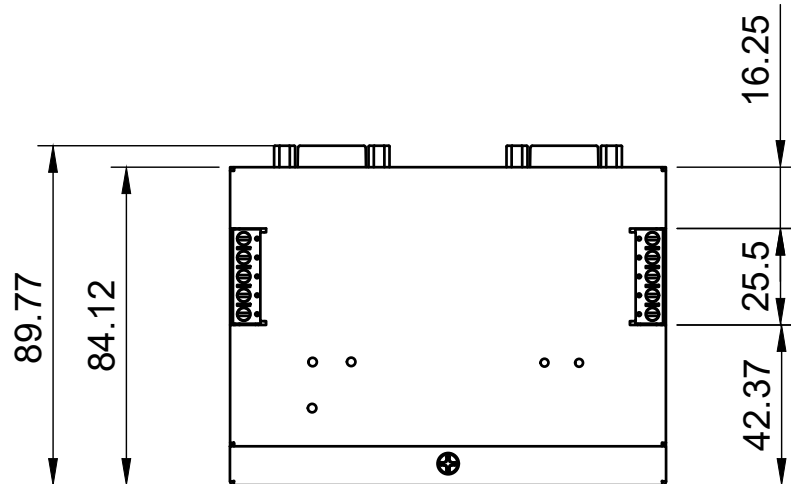

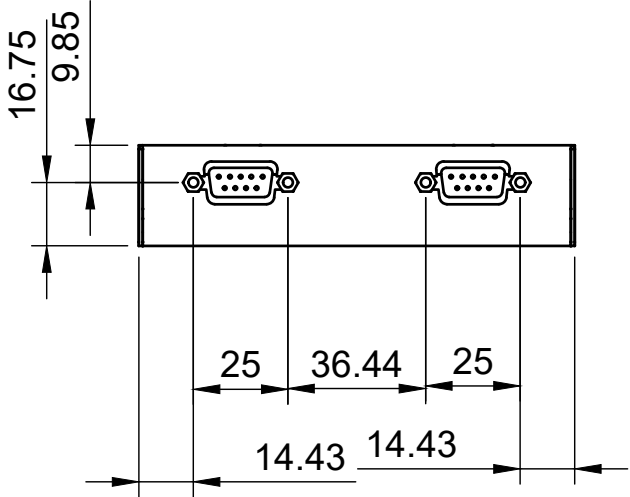
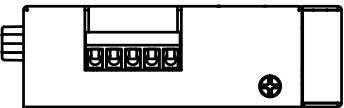
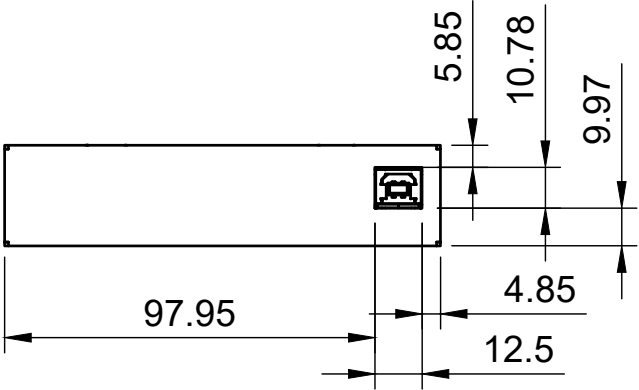



Basic Measurements
Terminals



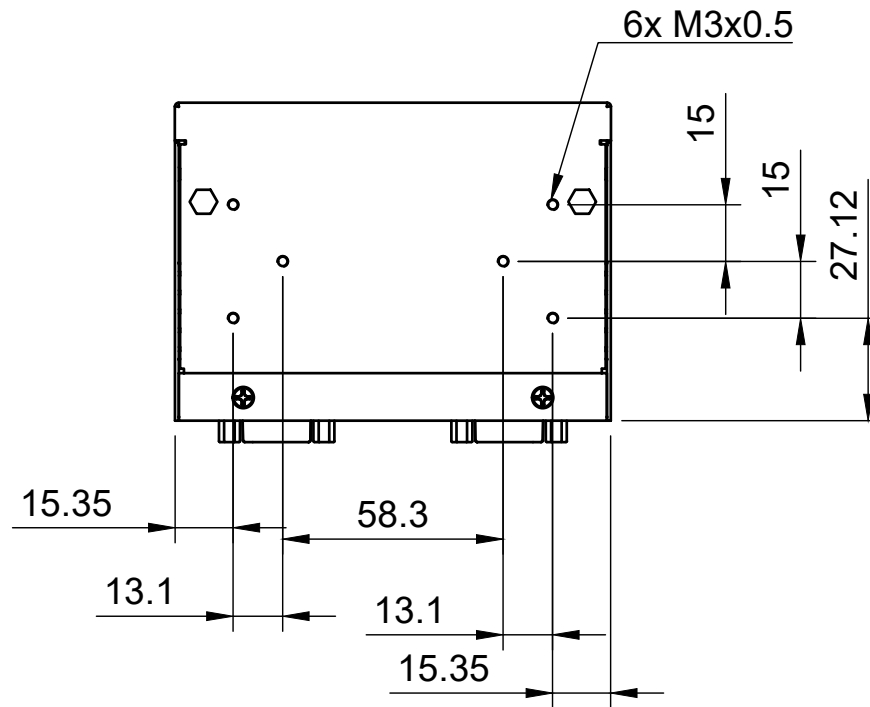
		Model #:	
		USB-2CAN-M	
Drawn by: Leo Pinto	Scale: 1:2	Units: mm	
Drawn Date: 9/29/21	Tolerance: +/- 0.15mm		
Notes:	Contact: support@coolgear.com		
	Web: coolgear.com		
	A4	1/4	


Port Detailed



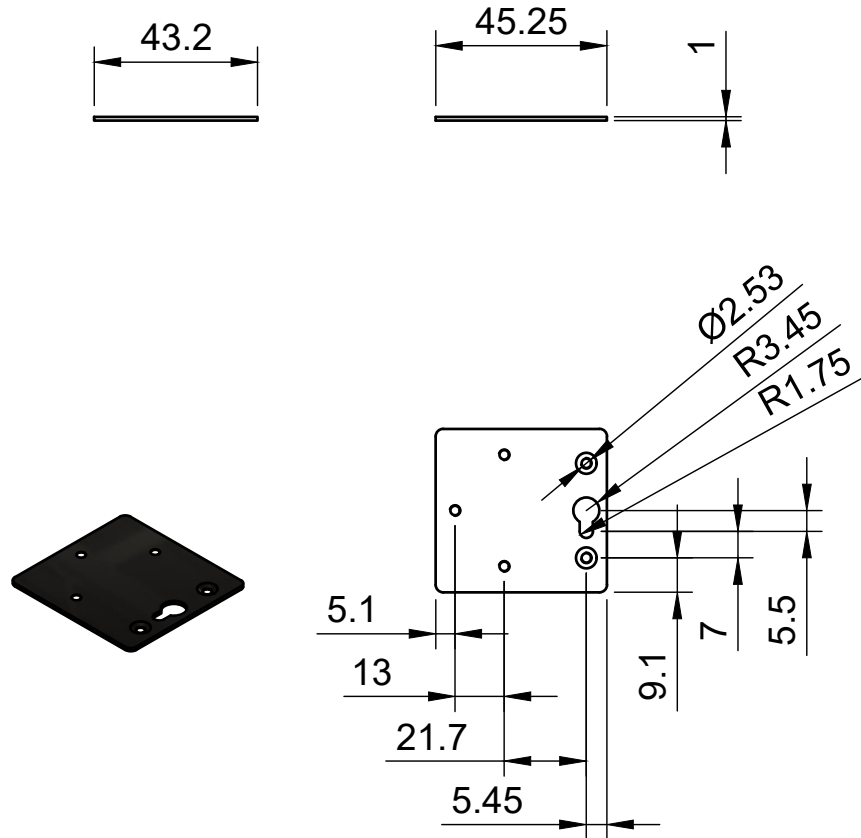
	Model #: USB-2CAN-M	
	Drawn by: Leo Pinto	Scale: 1:2
Drawn Date: 9/29/21	Tolerance: +/- 0.15mm	
Notes:	Contact: support@coolgear.com	
	Web: coolgear.com	
	A4	2/4

Mounting holes




		Model #:	
		USB-2CAN-M	
Drawn by: Leo Pinto		Scale: 1:2	Units: mm
Drawn Date: 9/29/21		Tolerance: +/- 0.15mm	
Notes:		Contact: support@coolgear.com	
		Web: coolgear.com	
		A4	3/4

Accessories



Exploded View



		Model #:	
		USB-2CAN-M	
Drawn by: Leo Pinto	Scale: 1:2	Units: mm	
Drawn Date: 9/29/21	Tolerance: +/- 0.15mm		
Notes:	Contact: support@coolgear.com		
	Web: coolgear.com		
	A4	4/4	