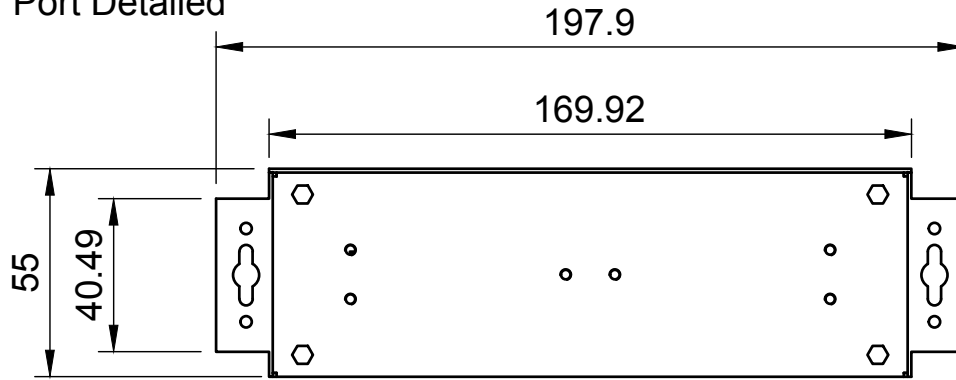
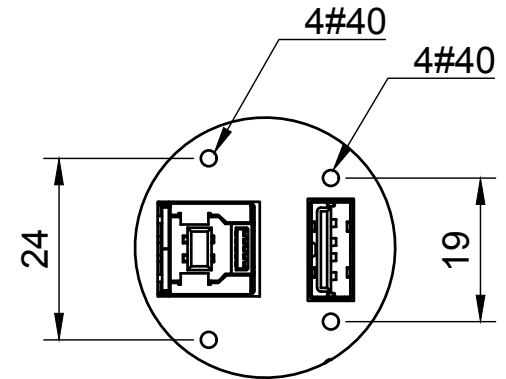
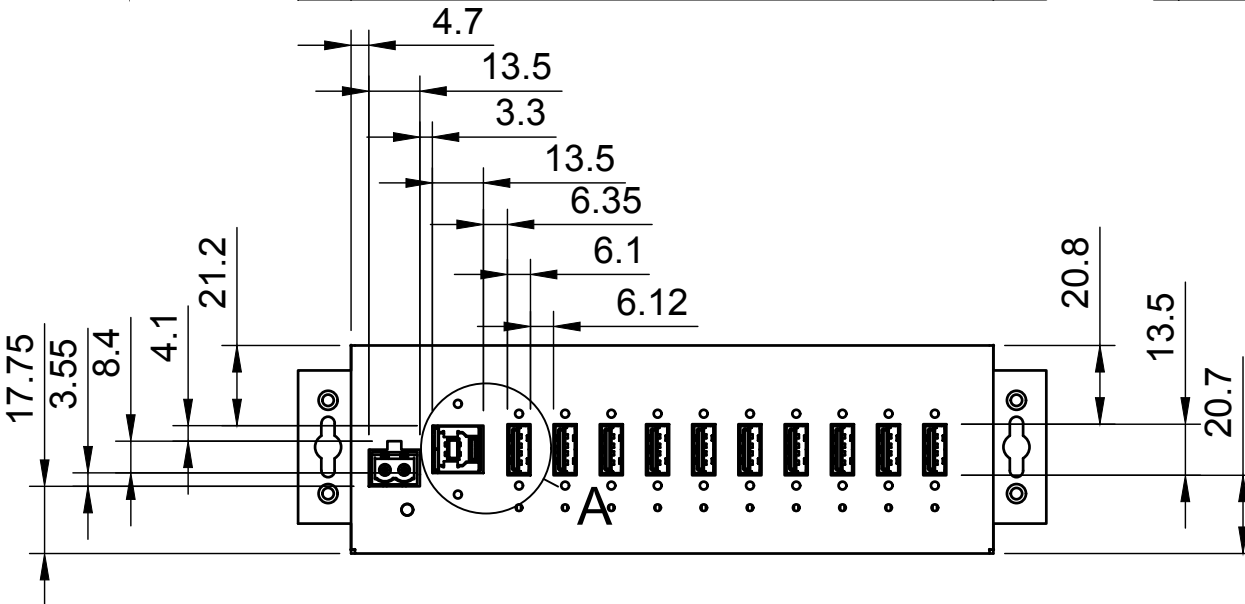
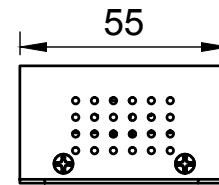
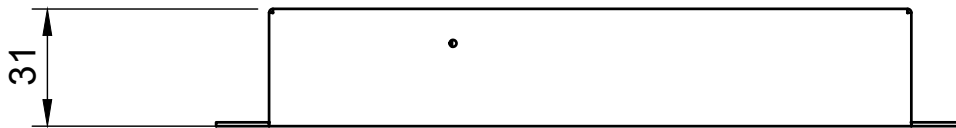



Basic Measurements  
Port Detailed

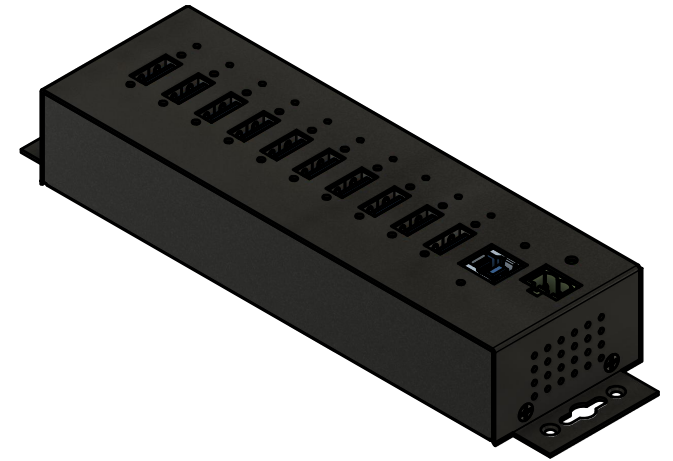
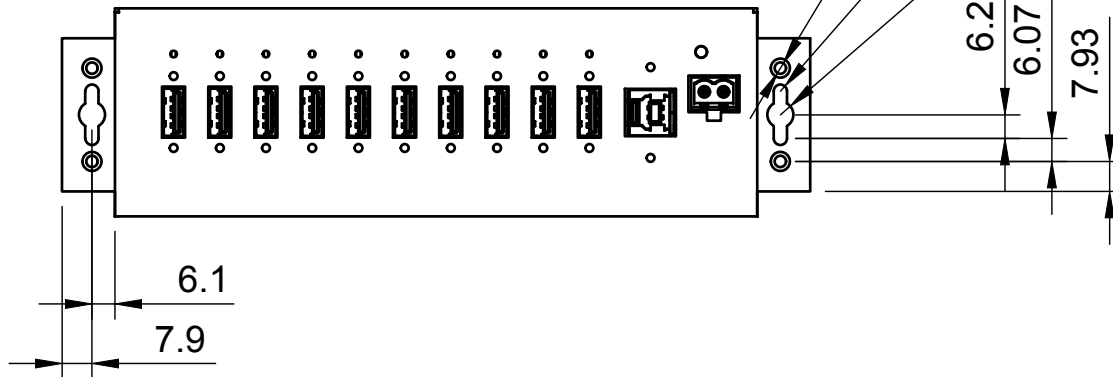
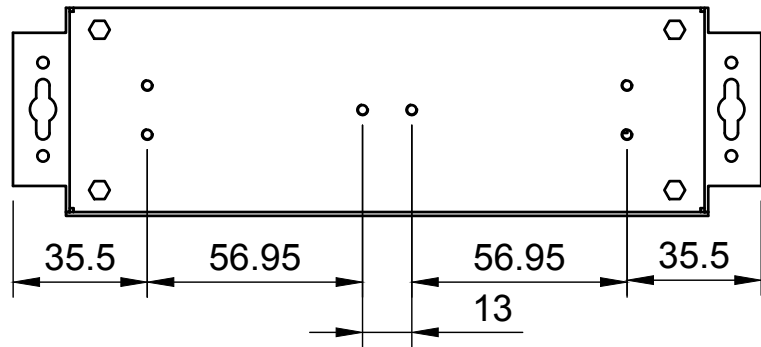



A (1:1)



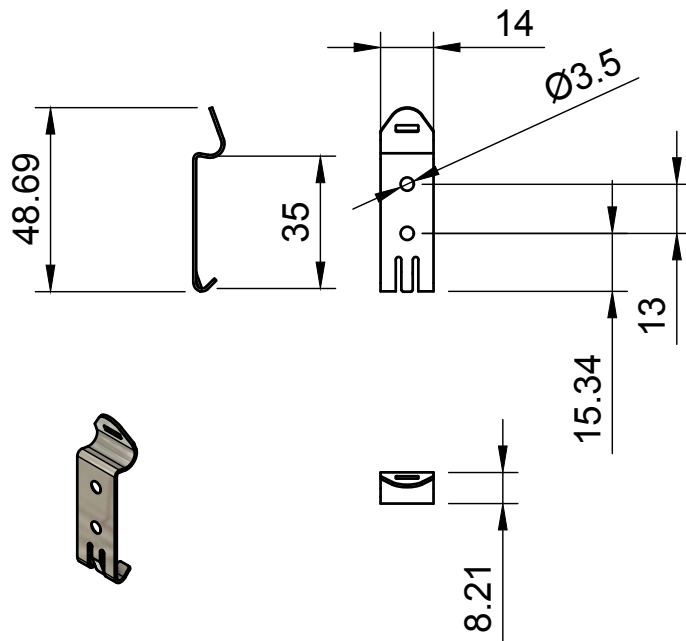
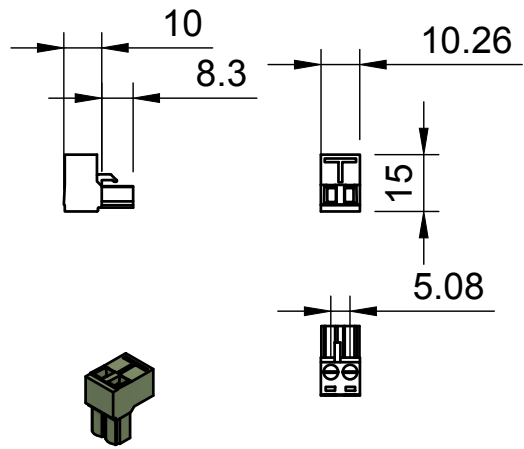
|   |  |                               |           |
|---|--|-------------------------------|-----------|
|  |  | Model #:                      |           |
|   |  | CG-10PU3MGD                   |           |
| Drawn by: Leo Pinto   |  | Scale: 1:2                    | Units: mm |
| Drawn Date: 4/20/21   |  | Tolerance: +/- 0.15mm         |           |
| Notes:  |  | Contact: support@coolgear.com |           |
|   |  | Web: coolgear.com             |           |
|   |  | A4                            | 1/3       |

# Mounting Holes

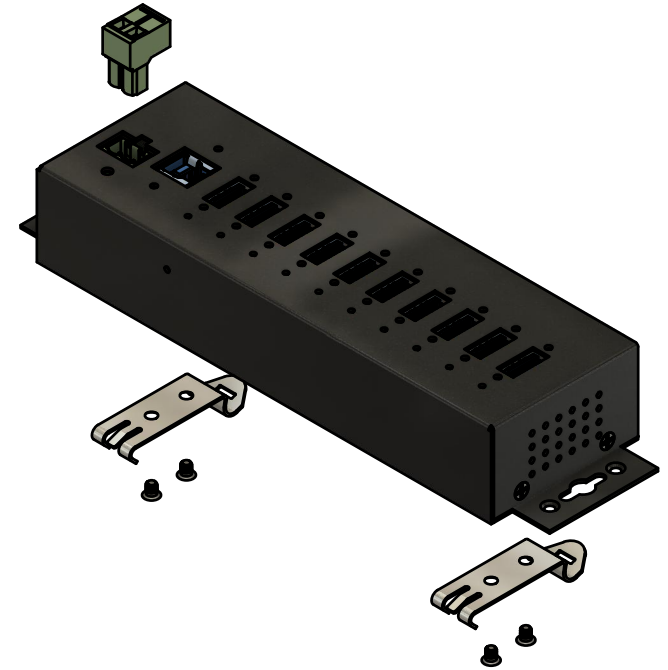


|   |  |                               |        |
|---|--|-------------------------------|--------|
|  |  | Model #:                      |        |
|   |  | CG-10PU3MGD                   |        |
| Drawn by: Leo Pinto   |  | Scale: 1:2                    | Units: |
| Drawn Date: 4/20/21   |  | Tolerance: +/- 0.15mm         |        |
| Notes:  |  | Contact: support@coolgear.com |        |
|   |  | Web: coolgear.com             |        |
|   |  | A4                            | 2/3    |

### Accessories



### Exploded View



Model #: CG-10PU3MGD

Drawn by: Leo Pinto

Scale: 1:2 Units:

Drawn Date: 4/20/21

Tolerance: +/- 0.15mm

Notes:

Contact: support@coolgear.com

Web: coolgear.com

A4

3/3