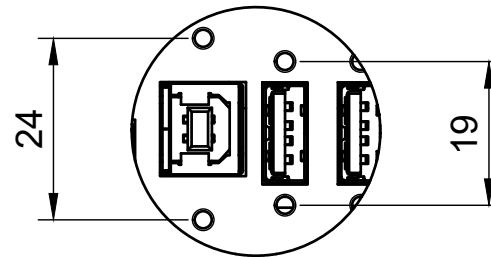
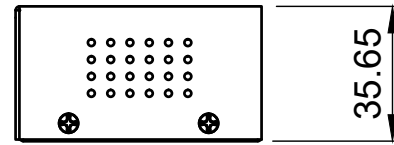
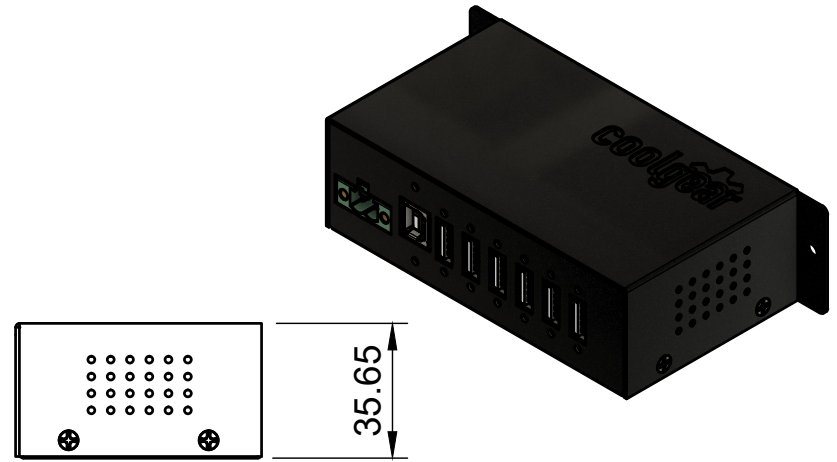
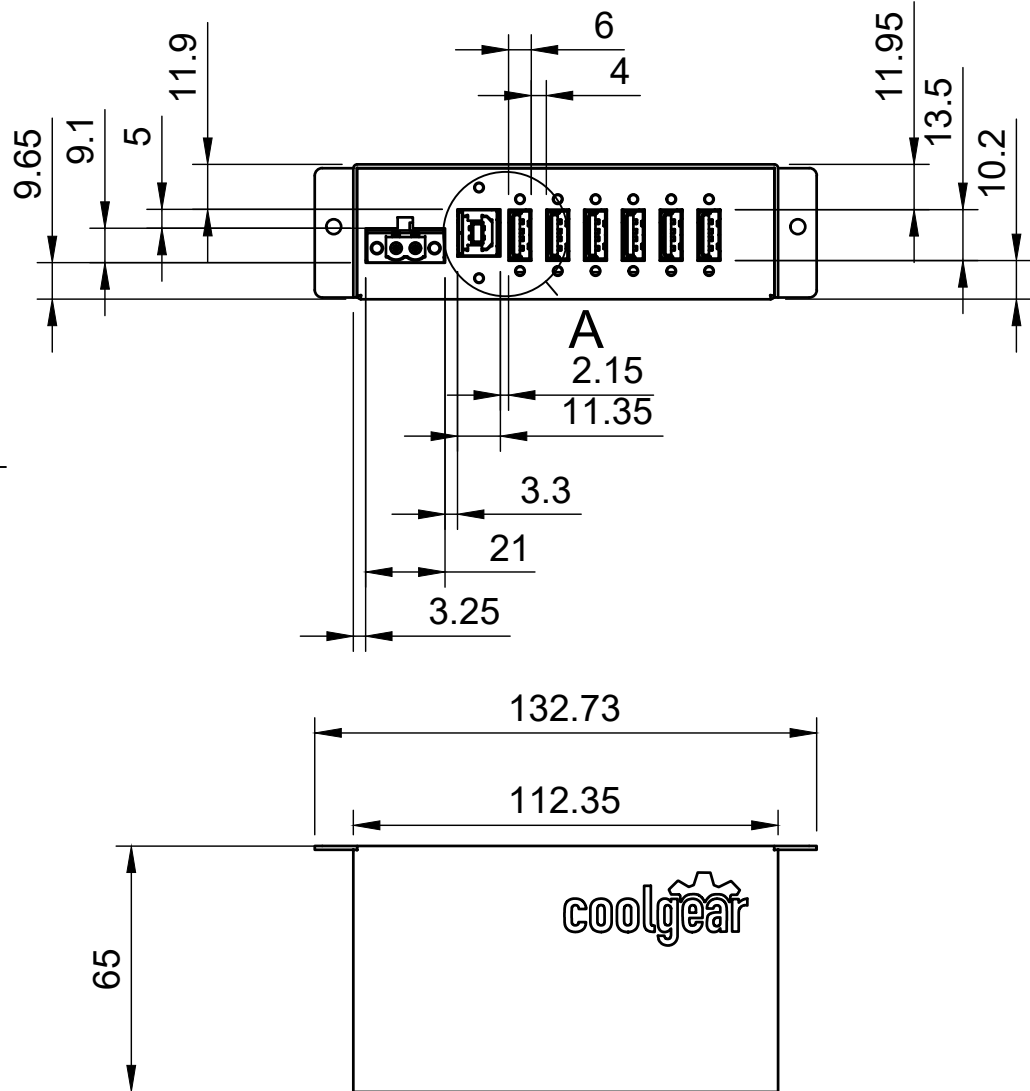



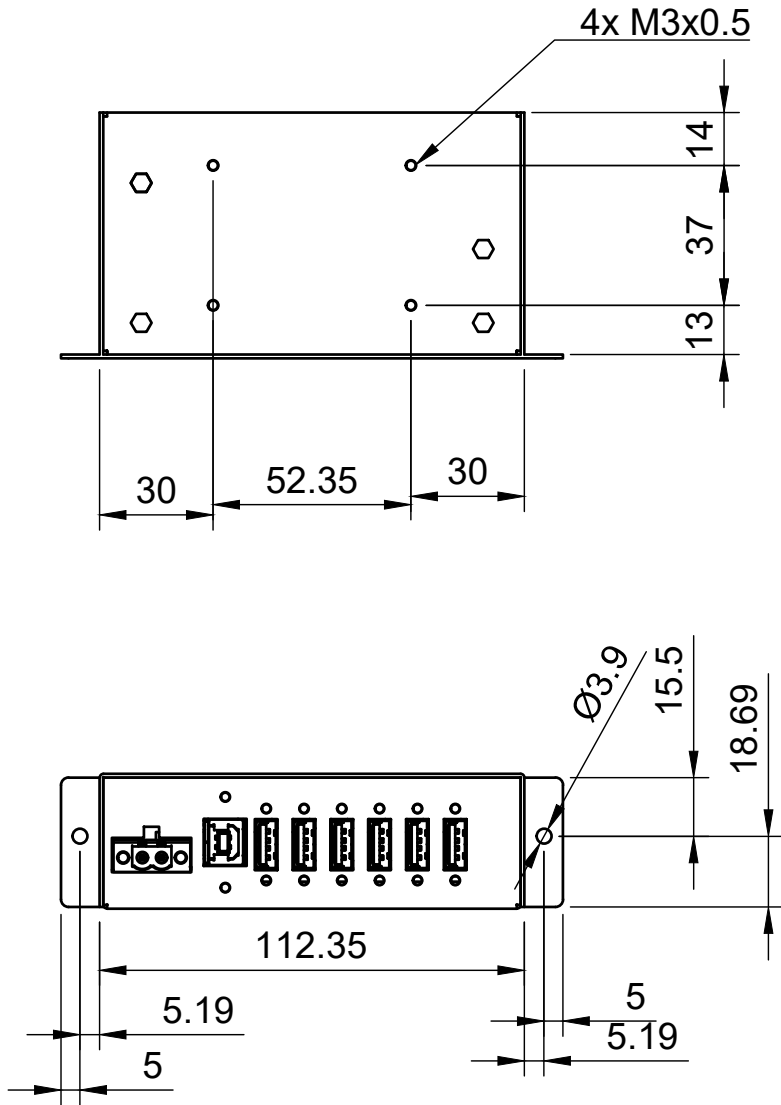
Basic Measurements




A (1:1)

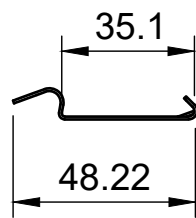
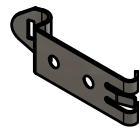
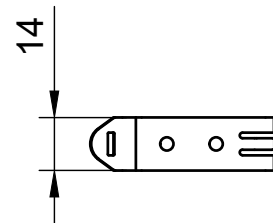
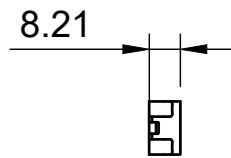
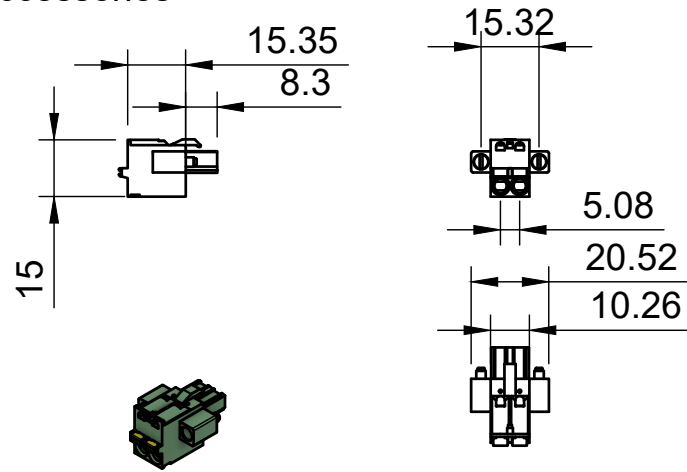
		Model #:	
		CG-6PU2MGD	
Drawn by: Leo Pinto		Scale: 1:2	Units: mm
Drawn Date: 4/27/2021		Tolerance: +/- 0.15mm	
Notes:		Contact: support@coolgear.com	
		Web: coolgear.com	
		A4	1/3

Mopunting Holes




		Model #:	
		CG-6PU2MGD	
Drawn by: Leo Pinto		Scale: 1:2	Units: mm
Drawn Date: 4/27/2021		Tolerance: +/- 0.15mm	
Notes:		Contact: support@coolgear.com	
		Web: coolgear.com	
		A4	2/3

Accessories



Exploded View



		Model #:	
		CG-6PU2MGD	
Drawn by: Leo Pinto		Scale: 1:2	Units: mm
Drawn Date: 4/27/2021		Tolerance: +/- 0.15mm	
Notes:		Contact: support@coolgear.com	
		Web: coolgear.com	
		A4	3/3