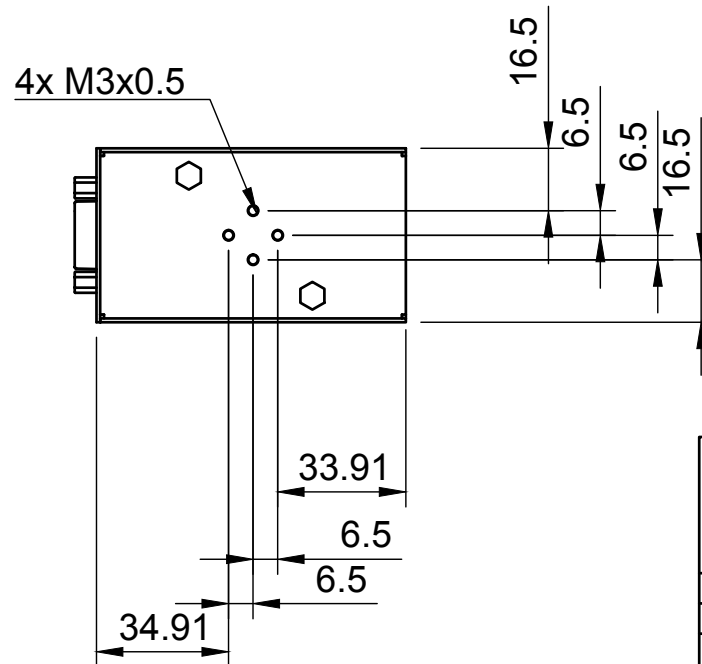
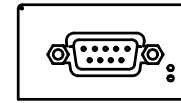
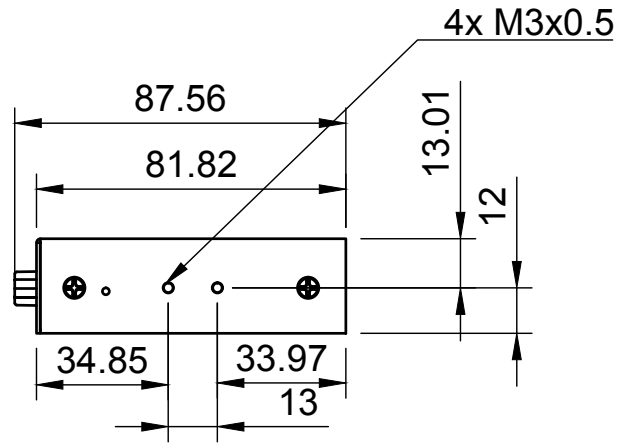
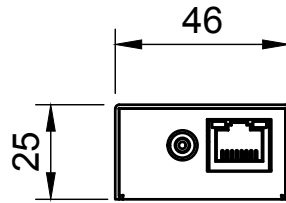

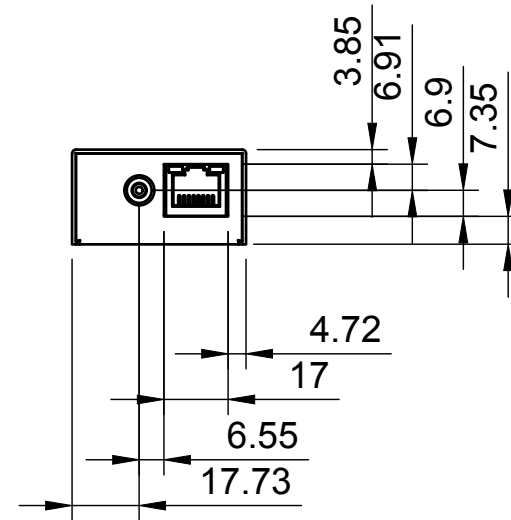
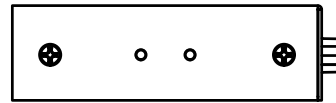
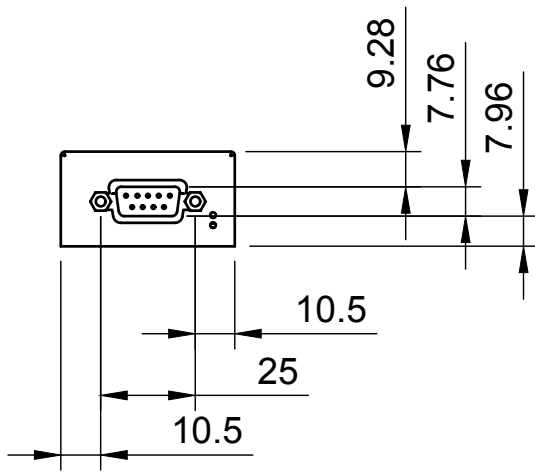



Basic Measurements
Mounting Holes



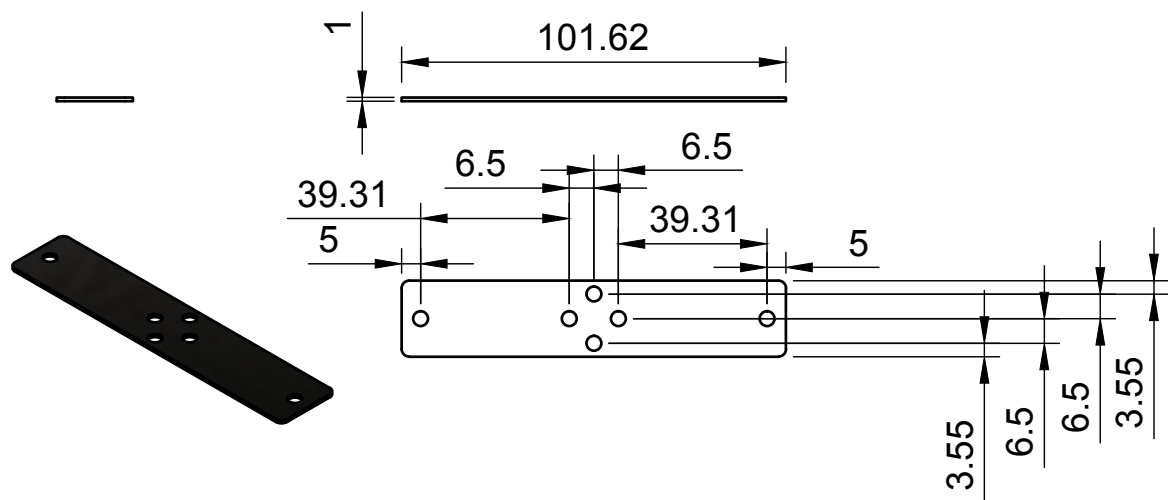
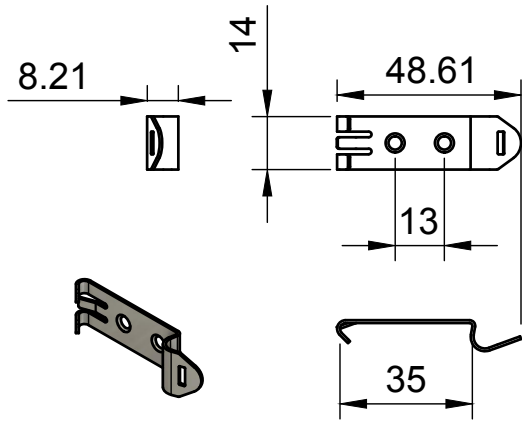
		Model #:	
		MSD-SRP1XM-PRO	
Drawn by: Leo Pinto		Scale: 1:2	Units: mm
Drawn Date: 7/8/21		Tolerance: +/- 0.15mm	
Notes:		Contact: support@coolgear.com	
		Web: coolgear.com	
		A4	1/3

Port Detailed




	Model #: MSD-SRP1XM-PRO	
	Drawn by: Leo Pinto	Scale: 1:2
Drawn Date: 7/8/21	Tolerance: +/- 0.15mm	
Notes:	Contact: support@coolgear.com	
	Web: coolgear.com	
	A4	2/3

Accessories



Exploded View



		Model #:	
		MSD-SRP1XM-PRO	
Drawn by: Leo Pinto		Scale: 1:2	Units: mm
Drawn Date: 7/8/21		Tolerance: +/- 0.15mm	
Notes:		Contact: support@coolgear.com	
		Web: coolgear.com	
		A4	3/3