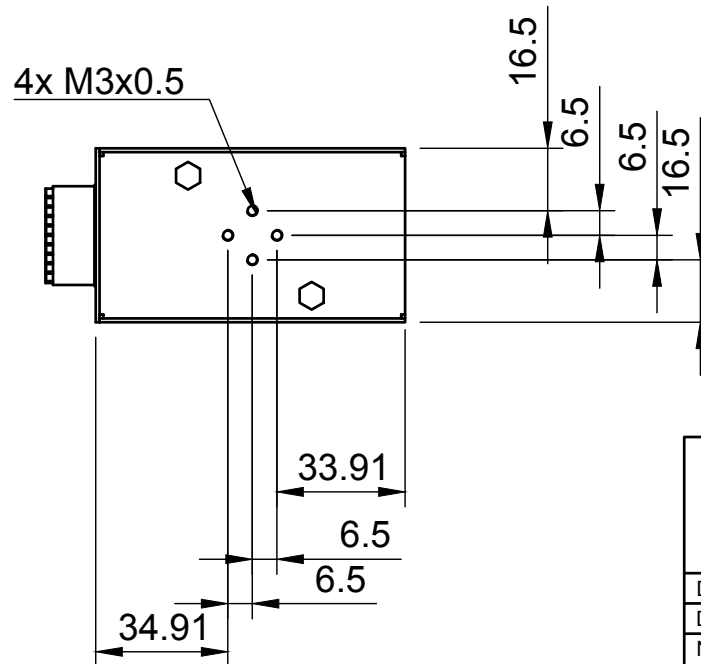
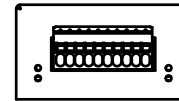
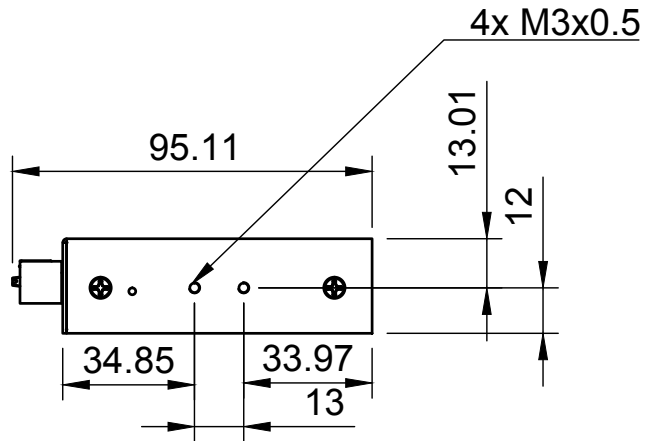
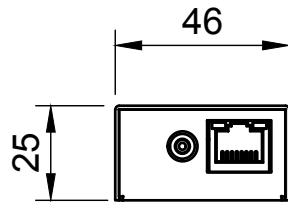

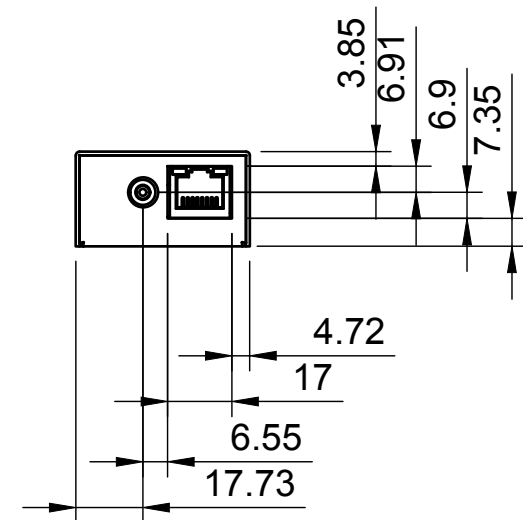
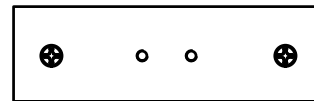
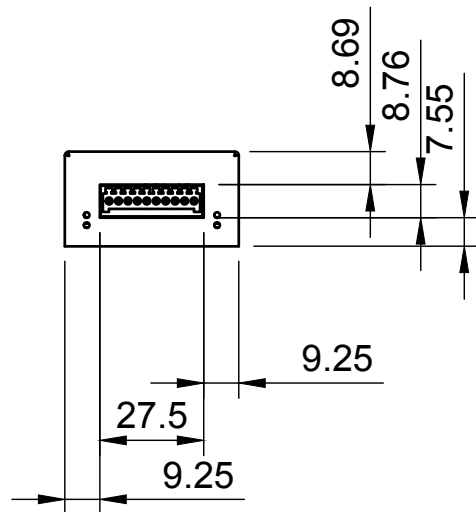


Basic Measurements
Mounting Holes



		Model #:	
		MSD-SRP2XM-TBPRO	
Drawn by: Leo Pinto	Scale: 1:2	Units: mm	
Drawn Date: 7/8/21	Tolerance: +/- 0.15mm		
Notes:	Contact: support@coolgear.com		
	Web: coolgear.com		
	A4	1/3	



Model #: MSD-SRP2XM-TBPRO

Drawn by: Leo Pinto

Scale: 1:2 Units: mm

Drawn Date: 7/8/21

Tolerance: +/- 0.15mm

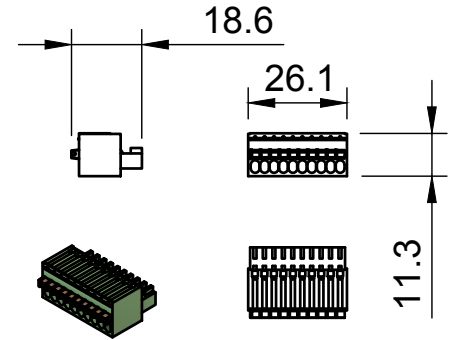
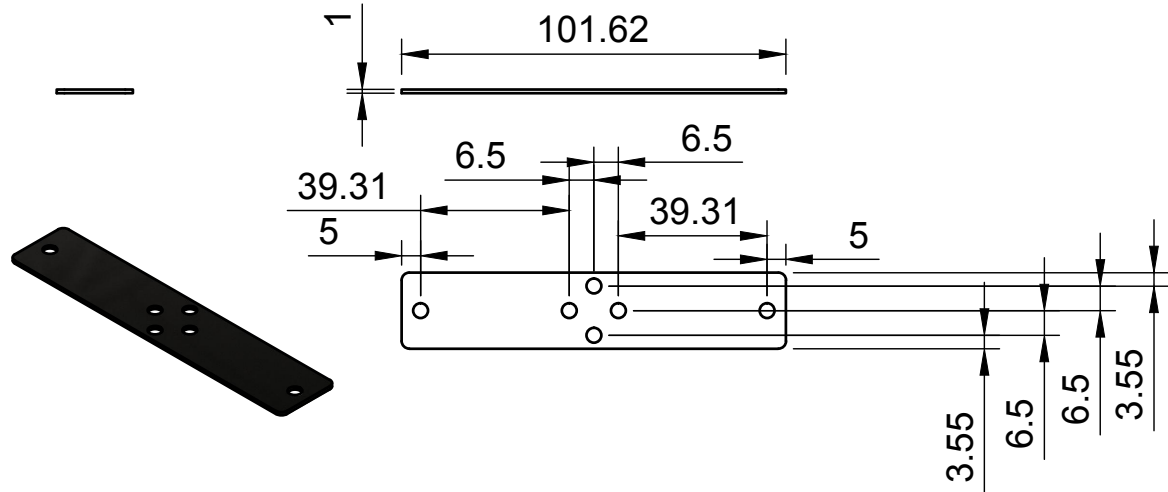
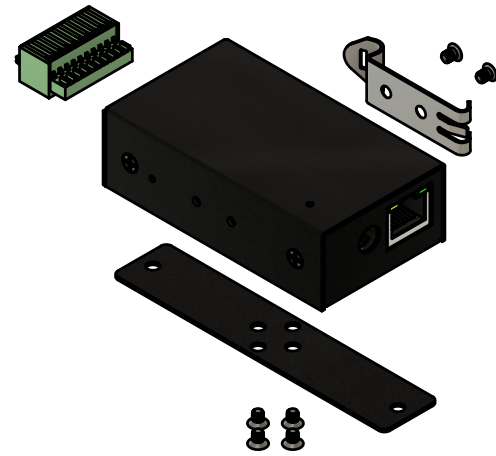
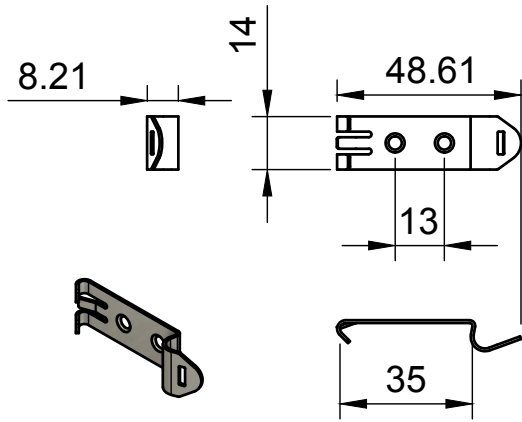
Notes:


Contact: support@coolgear.com

Web: coolgear.com

A4

2/3



		Model #:	
		MSD-SRP2XM-TBPRO	
Drawn by: Leo Pinto		Scale: 1:2	Units: mm
Drawn Date: 7/8/21		Tolerance: +/- 0.15mm	
Notes:		Contact: support@coolgear.com	
		Web: coolgear.com	
		A4	3/3