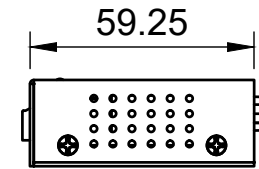
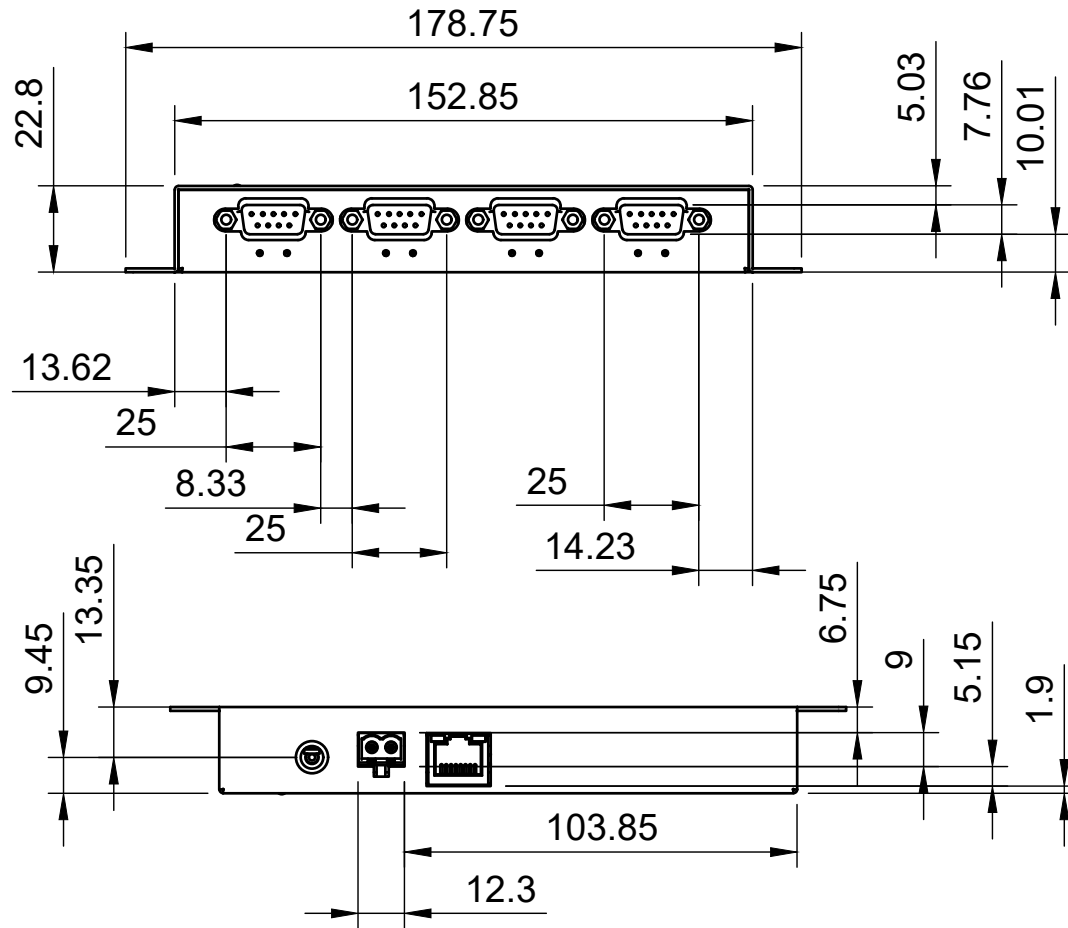

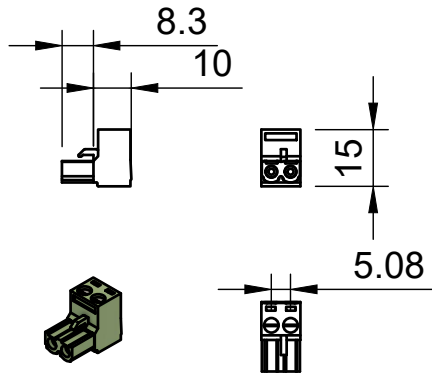


Basic Measurements  
Port Detailed

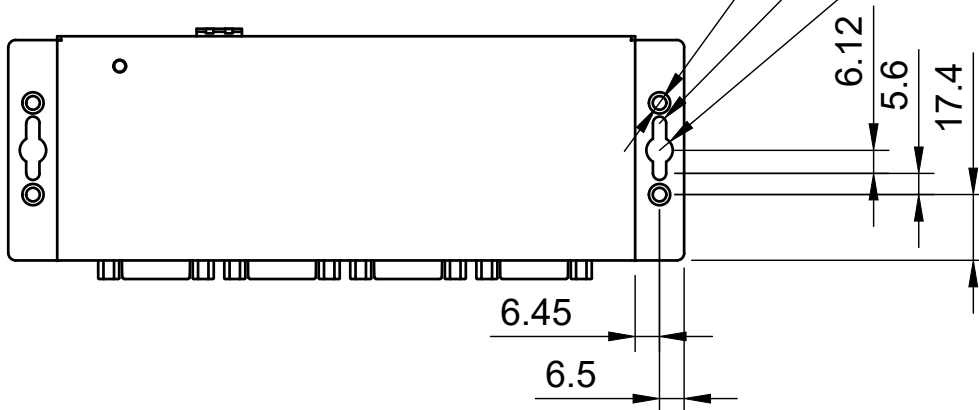
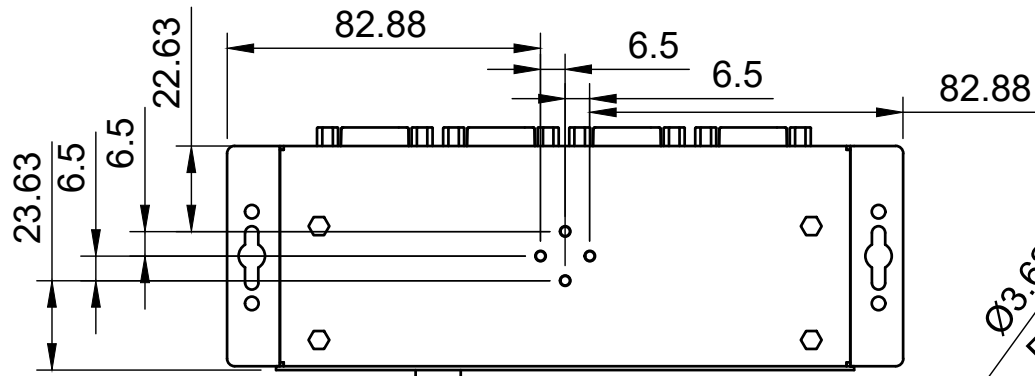



|   |                               |            |
|---|-------------------------------|------------|
|  | Model #: MSD-SRP4XM-PRO       |            |
|   | Drawn by: Leo Pinto           | Scale: 1:2 |
| Drawn Date: 7/9/2021  | Tolerance: +/- 0.15mm         |            |
| Notes:  | Contact: support@coolgear.com |            |
|   | Web: coolgear.com             |            |
|   | A4                            | 1/2        |

Accessories  
Mounting Holes



Exploded View



|   |  |                               |           |
|---|--|-------------------------------|-----------|
|  |  | Model #:                      |           |
|   |  | MSD-SRP4XM-PRO                |           |
| Drawn by: Leo Pinto   |  | Scale: 1:2                    | Units: mm |
| Drawn Date: 7/9/2021  |  | Tolerance: +/- 0.15mm         |           |
| Notes:  |  | Contact: support@coolgear.com |           |
|   |  | Web: coolgear.com             |           |
|   |  | A4                            | 2/2       |