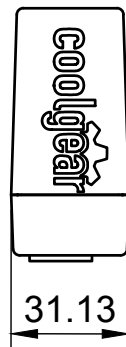
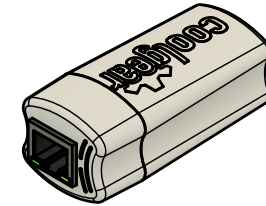
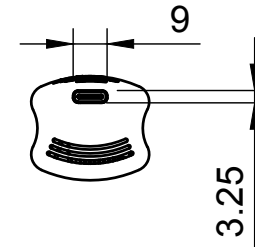
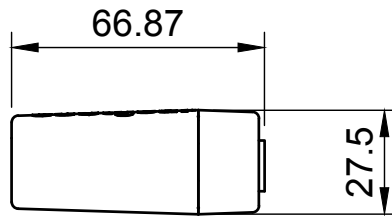
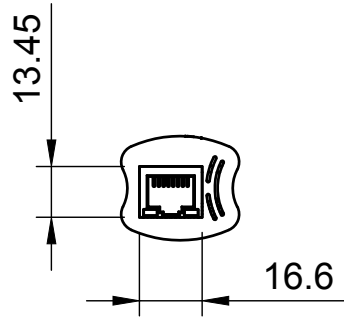



Basic Measurements
Port Detailed



		Model #:	
		CG-POE15VPD-LP	
Drawn by: Leo Pinto	Scale: 1:2	Units:	
Drawn Date: 10/08/21	Tolerance: +/- 0.15mm		
Notes:	Contact: support@coolgear.com		
	Web: coolgear.com		
	A4	1/1	