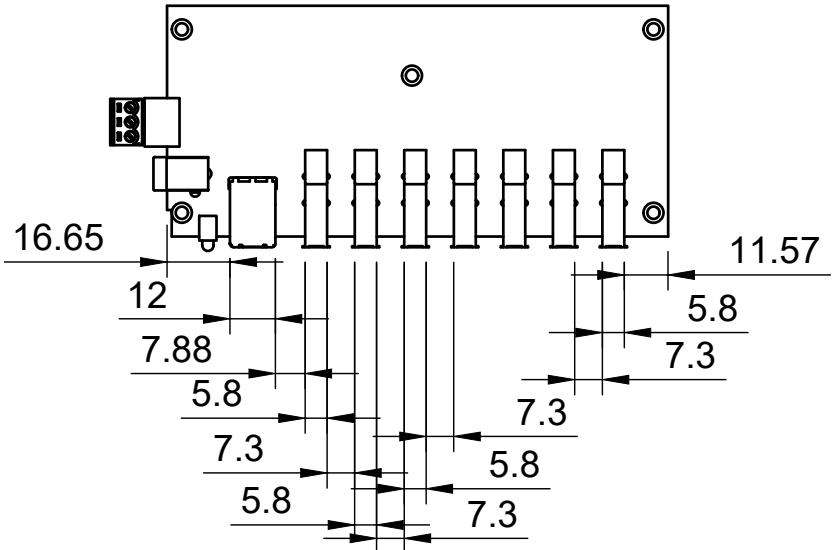
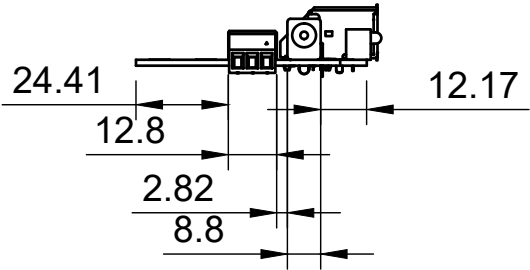
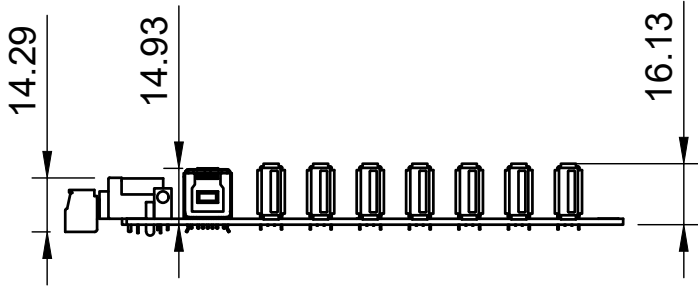
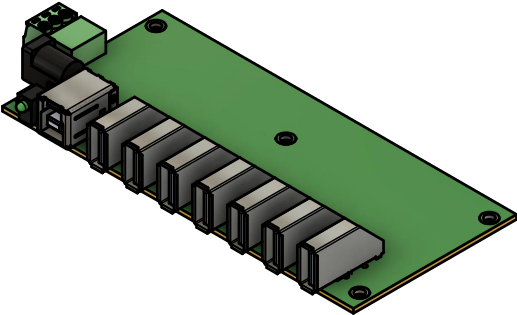

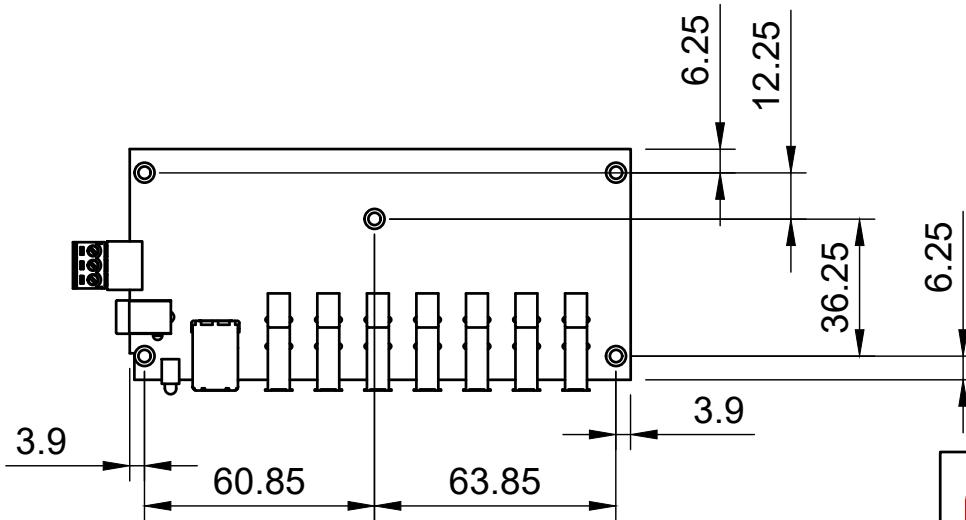
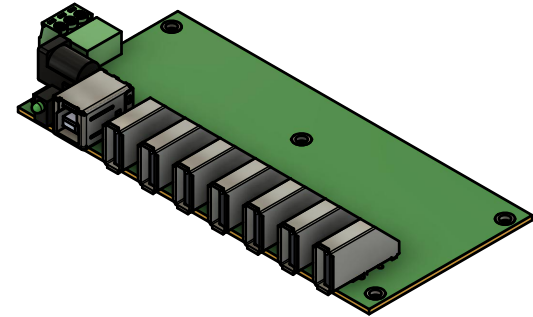
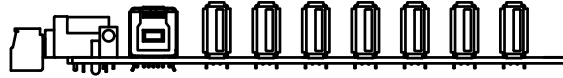



Basic Measurements
Port Detailed



		Model #:	
		GM-HU37-PCBA	
Drawn by: Leo Pinto		Scale: 1:2	Units: mm
Drawn Date: 7/12/2022		Tolerance: +/- 0.15mm	
Notes:		Contact: support@gearmo.com	
		Web: gearmo.com	
		A4	1/2

Mounting holes



		Model #: GM-HU37-PCBA	
Drawn by: Leo Pinto		Scale: 1:2	Units: mm
Drawn Date: 7/12/2022		Tolerance: +/- 0.15mm	
Notes:		Contact: support@gearmo.com	
		Web: gearmo.com	
		A4	2/2