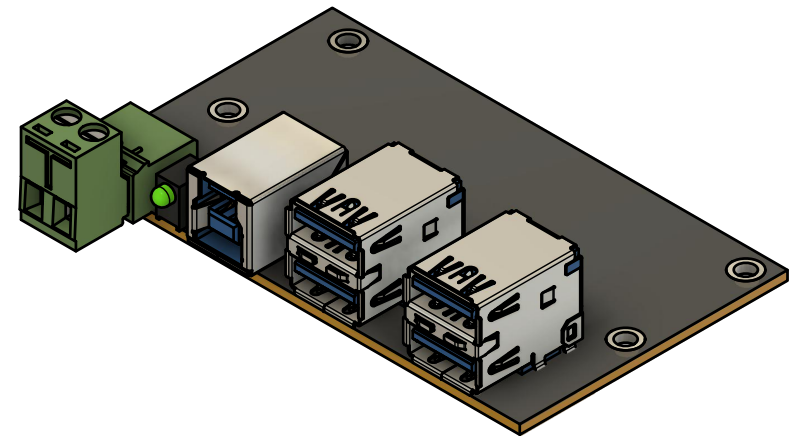
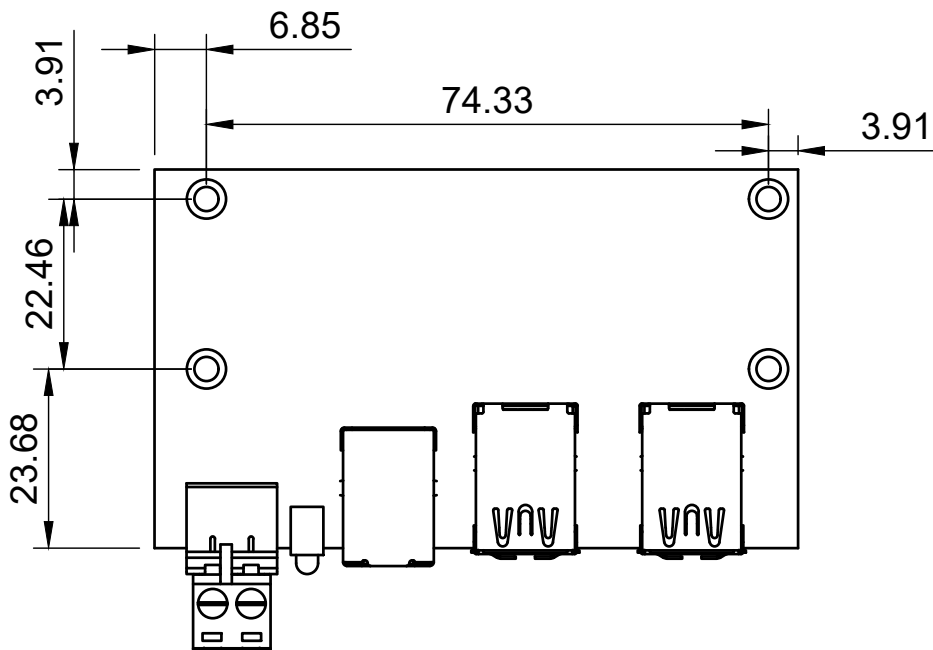
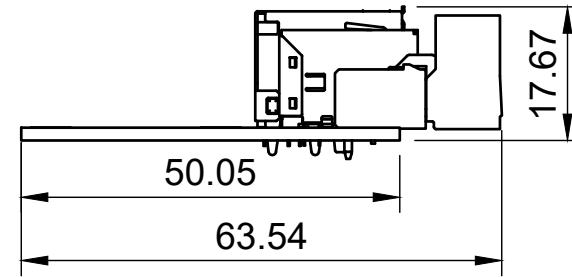
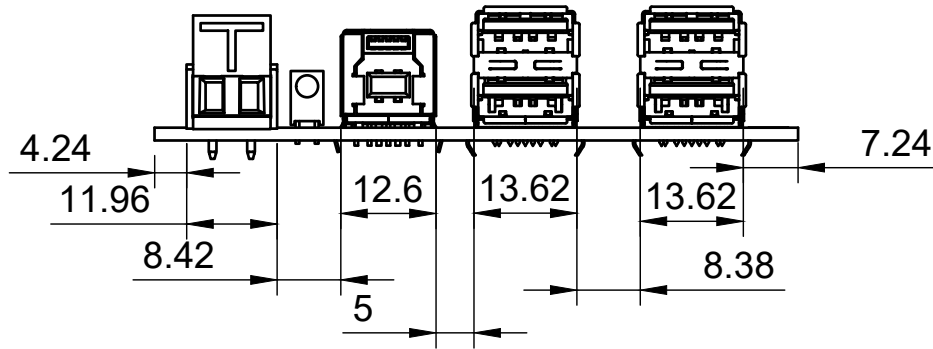



Basic Measurements
 Mounting holes
 Port detailed



		Model #:	
		USBG-4U3MLR2	
Drawn by: Leo Pinto	Scale: 1:1	Units:	
Drawn Date: 7/8/2022	Tolerance: +/- 0.15mm		
Notes:	Contact: support@coolgear.com		
	Web: coolgear.com		
	A4	1/1	