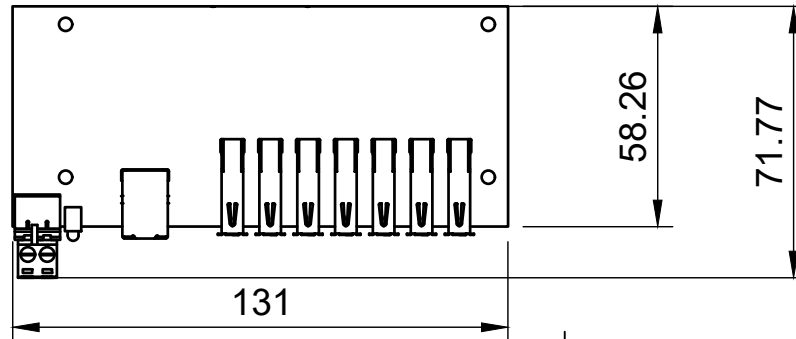
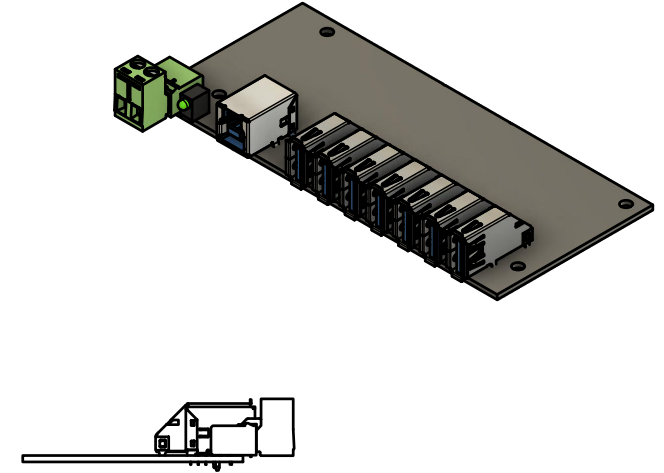
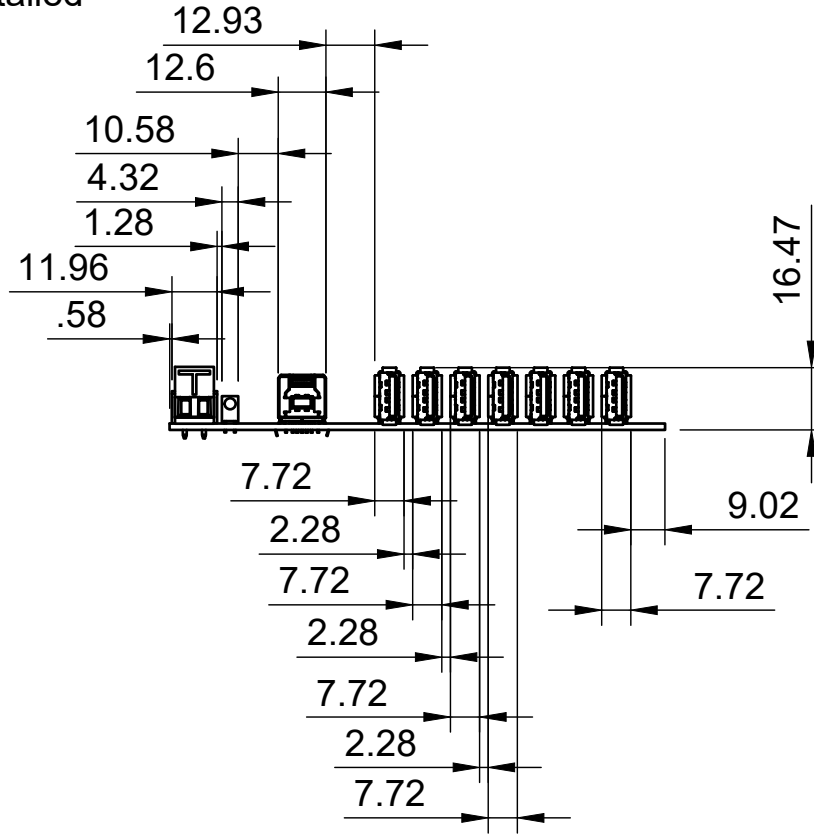

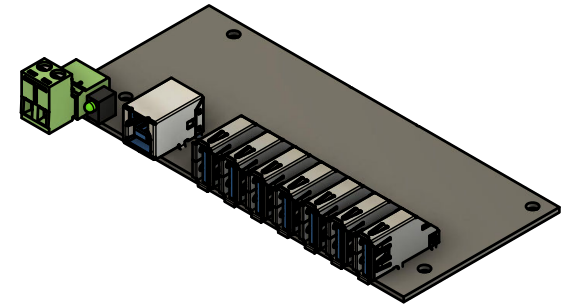
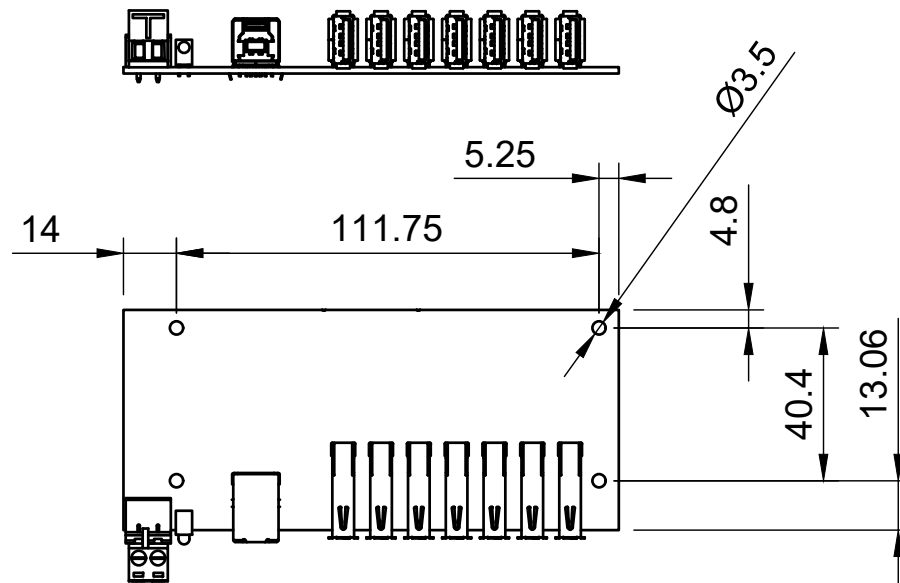



Basic Measurements  
Port Detailed



		Model #:	
		USBG-7U3ML	
Drawn by: Leo Pinto		Scale: 1:2	Units: mm
Drawn Date: 10/9/2021		Tolerance: +/- 0.15mm	
Notes: <b>PCBA</b>		Contact: support@coolgear.com	
		Web: coolgear.com	
		A4	1/2

# Mounting Holes



		Model #:	
		USBG-7U3ML	
Drawn by: Leo Pinto		Scale: 1:2	Units: mm
Drawn Date: 10/9/2021		Tolerance: +/- 0.15mm	
Notes:  PCBA		Contact: support@coolgear.com	
		Web: coolgear.com	
		A4	2/2