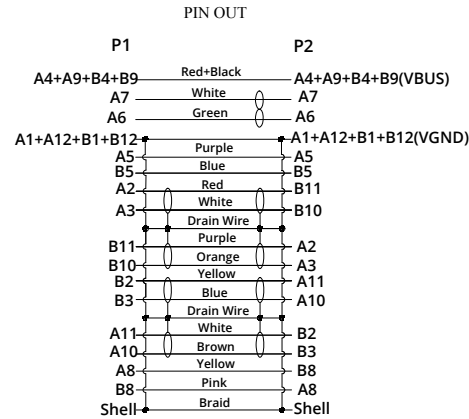
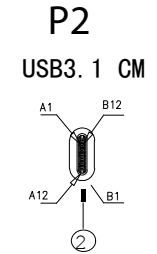
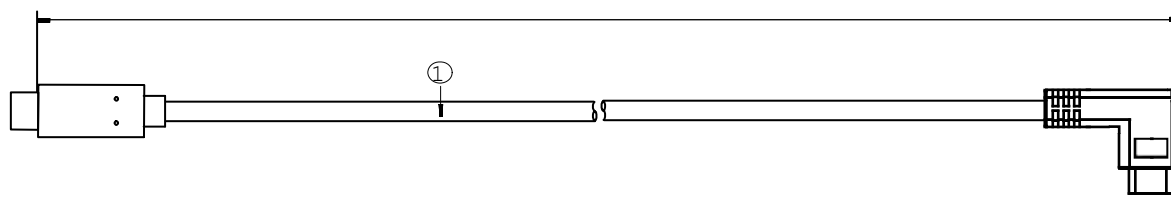
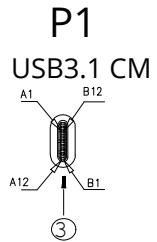


All materials compliant with RoHS, REACH and PrO65 standards

CG-CMCRM5A100-05M: 500±20MM
 CG-CMCRM5A100-1M: 1000±20MM
 CG-CMCRM5A100-1.8M: 1800±20MM



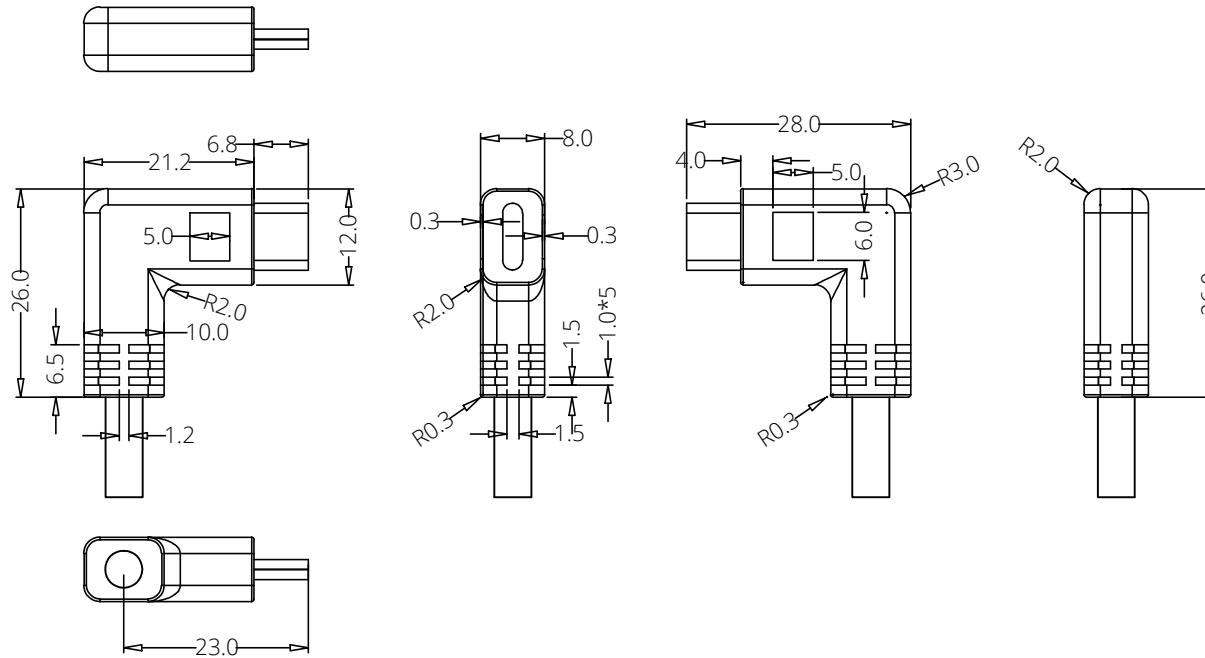
Electronic Tests:


- A. Open/Short/Intermittence: 100%
- B. Hi-Pot: AC 300V 0.01S 1mA
- C. Insulation Resistance: DC 300V 0.01S 10MΩ Min
- D. Conductive Resistance: 3Ω Max

NO.	NAME	SPECIFICATIONS	Q'TY	UNIT
5	OUTER MOLDING	45P PVC, Black	10	G
4	INNER MOLDING	LDPE	10	G
3	CONNECTOR	USB3.1 C Male, Pin Gold Fish, Shell Nickel Plated, with PCB and E-mark	1	PCS
2	CONNECTOR	USB3.1 C Male, Pin Gold Fish, Shell Nickel Plated, with PCB	1	PCS
1	CABLE	USB3.1 [32AWG*1P+D+AL-MY]*4C+32AWG*1P+32AWG*4C+21AWG*2C+AL+B+PVC Jacket, OD:4.5±0.2MM	AR	MM

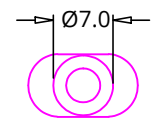
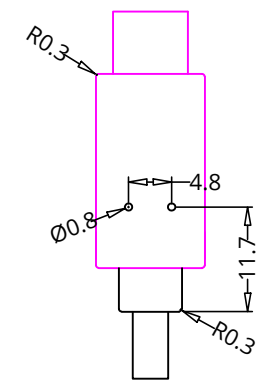
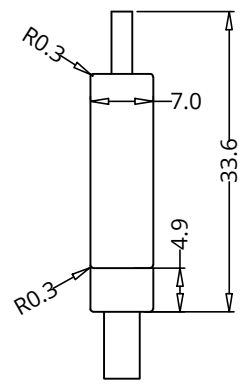
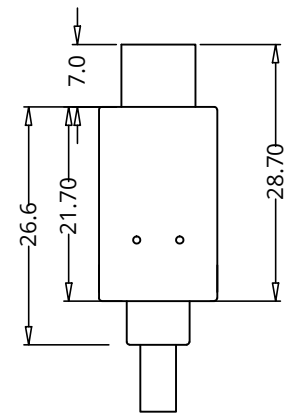
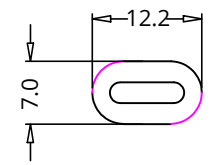
	MODEL #:	CG-CMCRM5A100
	PAGE:	1 / 2
DRAW:		NOTES: USB 3.2 Gen 2 Type-C to Right Angle Type-C Cable 5A 100W
DATE: 08/24/23	SCALE:	
UNIT: mm	TOLERANCE:	+/- 20 mm
SITE: coolgear.com	CONTACT:	support@coolgear.com

All materials compliant with RoHS, REACH standards



	MODEL #:	CG-CMCRM5A100
	PAGE:	2 / 3
DRAW:		NOTES: USB 3.2 Gen 2 Type-C to Right Angle Type-C Cable 5A 100W
DATE:	08/24/23	SCALE:
UNIT:	mm	TOLERANCE: +/- 20 mm
SITE:	coolgear.com	CONTACT: support@coolgear.com

All materials compliant with RoHS, REACH standards



	MODEL #:	CG-CMCRM5A100	
	PAGE:	3 / 3	
NOTES:	USB 3.2 Gen 2 Type-C to Right Angle Type-C Cable 5A 100W		
DATE:	08/24/23	SCALE:	
UNIT:	mm	TOLERANCE:	+/- 20 mm
SITE:	coolgear.com	CONTACT:	support@coolgear.com