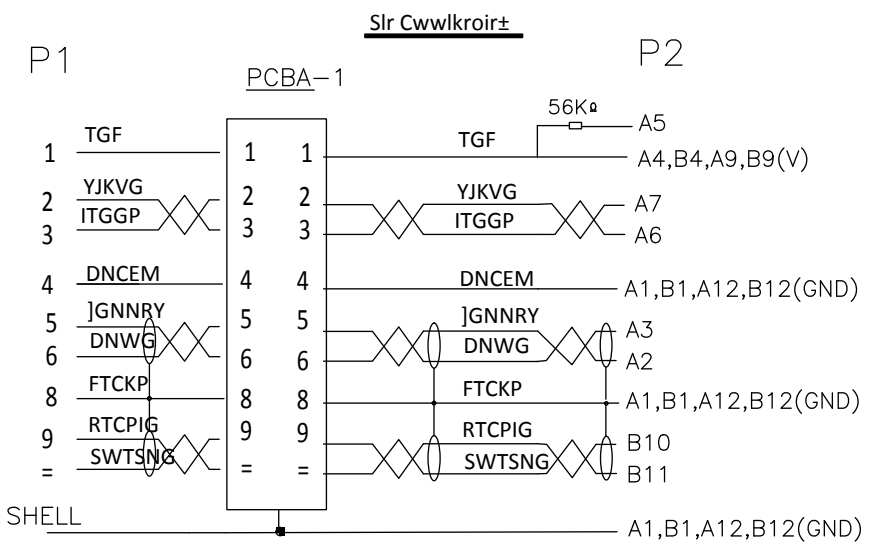


ELECTRONIC FEATURES:

A.Read &Write speed more than 300MB/S with SSD disk.



NO	NAME	SPECIFICATIONS	QTY	UNIT
⑨	Screw stick	NB32.500	2	PCS
⑧	MOLDED	PVC BLACK COLOR	16	G
⑥	MOLDED	LD-PE	3	G
⑤	HOOD	CDU CUUGODN] JRRF,DNCM ERNRT	2	PCS
④	PCBA	USB3.0 PCBA WITH IC VL210	1	PCS
③	CONN.2	Type C MALE BALCK INSULATION ,CONTACT PIN G/F AND SHELL NICKEL PLATE(Rp=56K)	1	PCS
②	CONN.1	WUD 3.0C OCNB ERPPGEVRT, DNWG KPUWNCVKRP, ERPVCEV SKP I/H SNCVGF CPF UJGNN PKEMGN SNCVGF	1	PCS
①	CABLE	_(8/0.128VE*1S+F8/0.10VE+CN+O)CNT)*2E+8/0.128VE*1S+8/0.20*2E+CN -HRKN+F (1/0.32DE)+D(=6/0.12NOU)a Dnegm SXE LCEMGV,RFA5.5 Oetml#KIJ USGGF WUD 3.0 ECDNG	8.0	M

		MODEL #:	CG-30SLIAC-A8M
		PAGE:	1/1
DRAW:	Jesse Woodward	NOTES:	26ft (8m) USB 3.2 Gen 1 Type-A to C Dual Screw Lock Active Extension Cable Vision Compliant
DATE:	7/6/2023		
UNIT:	mm	TOLERANCE:	+/- 0.15 mm
SITE:	coolgear.com	CONTACT:	support@coolgear.com