



User Manual

# USB 3.2 Gen 1 Charging & Super Speed Mountable Hubs

**Model Numbers:** *USBG-BREC304, USBG-BREC307, USBG-BREC3010*

## Table of Contents

---

1. Introduction	2
2. Connector Layout	3
3. Hardware Installation	4
4. Checking the Installation	5
5. Restore to Factory Settings	7
6. Environmental Specifications	7

## Revision History

---

Revision	Date	Comments
1.0	2023-10-04	First Release

## 1. Introduction

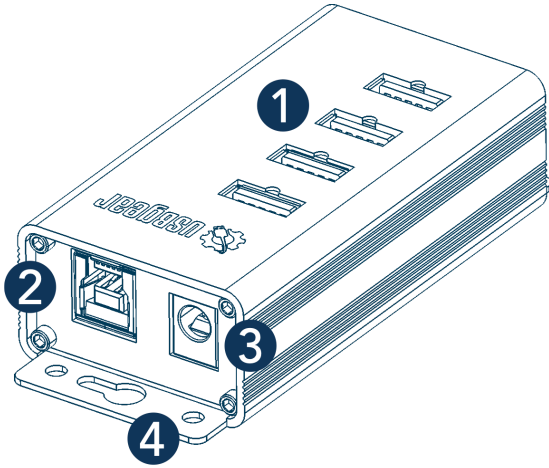
Thank you for purchasing one of our 4, 7, or 10 port hubs. This User Manual covers the USBG-BREC304, USBG-BREC307, and USBG-BREC3010 hubs. Housed in a compact steel chassis, these hubs are perfect for discreet installations in offices, labs, warehouses, heavy machinery, automation equipment, and other industrial applications.

### Features:

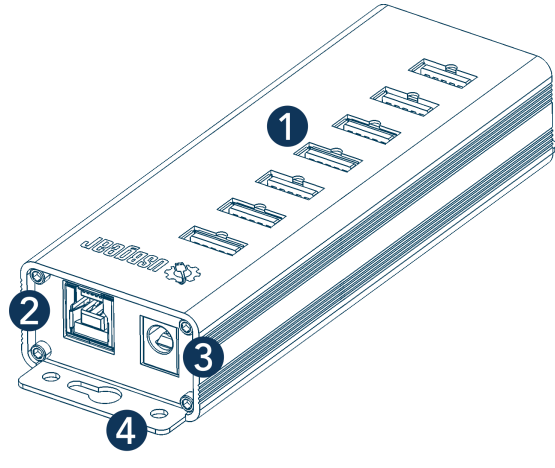
- ✓ Compliant with USB 3.2 Gen 1 Specifications
- ✓ Upstream and Downstream ports support Super-Speed (SS), High-Speed (HS) and Full-Speed (FS) traffic
- ✓ Backward compatible to USB specification Revision 2.0/1.1
- ✓ Includes a charging function to power each port up to 900mA, enough for normal charging
- ✓ Compliant with Fast Charging for international Battery Charging 1.2 Standard Protocol and Smart Control
- ✓ Transfer data and charge connected devices simultaneously
- ✓ Support included for Plug-and-Play and hot swapping. No driver installation needed
- ✓ Bus-Powered with Limit current protection
- ✓ Compatible with all operating systems
- ✓ Power Adapter Included in all models

## 2. Connector Layout

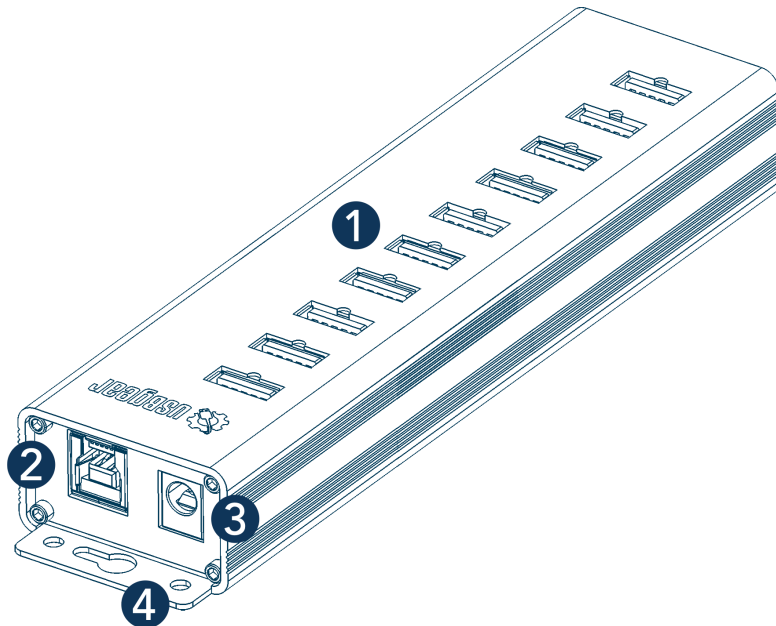
USBG-BREC304



USBG-BREC307



USBG-BREC3010



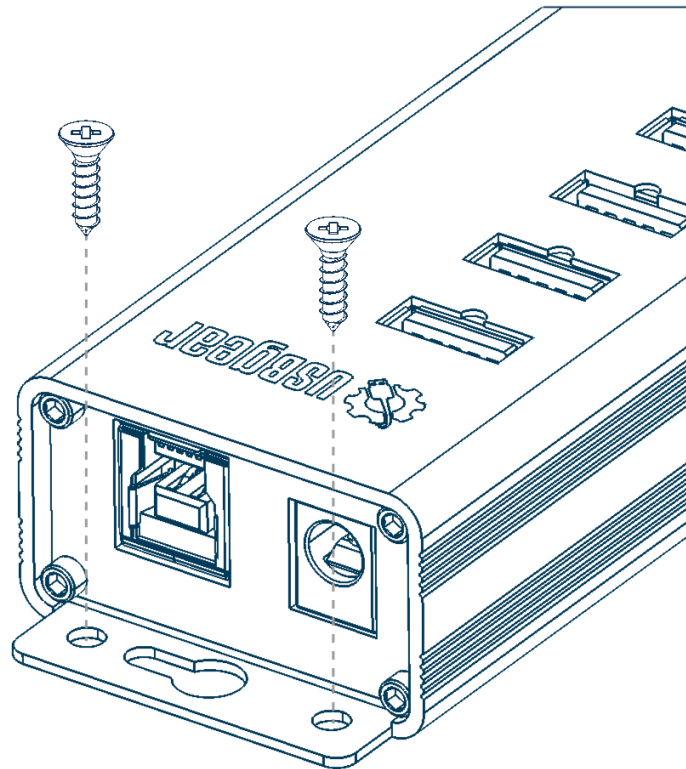
1	Downstream Device Charging Ports	4, 7, or 10x USB 3.2 Gen 1 Female Type-A
2	Upstream Host Port	1x USB 3.2 Gen 1 Female Type-B
3	Power Connector	DC Barrel Jack
4	Surface Mounting Bracket	Fixed Non-Removable

## 3. Hardware Installation

1. **Use static electricity discharge precautions.** Remove possible static discharge potential from any objects that the hub may come in contact with before installation. This can be accomplished by touching a bare metal chassis rail after you have turned off the power.
2. Apply DC power via the DC Barrel Jack. Attach the included DC Barrel Power Supply.
3. Connect USB Host cable: The host cable is a standard A-to-B USB 3.2 Gen 1 cable. Please connect the Type-A end connector of the cable to your USB Host or PC, then connect the Type-B end connector to this hub. Since the USB hub is plug-and-play, you don't have to turn off your host computer when installing the hub.
4. Connect USB devices to the downstream ports of this hub.
5. **(OPTIONAL)** Mount your hub on the wall / surface.

### 3.1 Surface Mounting

1. Mount your hub where needed via the integrated surface mounting flanges. *\*Screws for surface mounting not included*



## 3. Environmental Specifications

**Operating Temperature:** 0°C to 55°C (32°F to 131°F)

**Storage Temperature:** -20 to 75°C (-4 to 167°F)

**Humidity:** 5% ~ 95% (non-condensing)

### Safety

- Read the entire Product Manual before implementing this product for your application. This manual contains important information about electrical connections that must be followed for safe and proper operation.
- Inspect the product closely for visual defects before putting it to use.
- Keep away from areas where moisture builds, this product contains electrical components that can be damaged by moisture build up, this can adversely affect your equipment connected to it.
- Do not disassemble the product. Handling the product's internal components can expose it to ESD (Electro-Static Discharge) hazards that can affect the function of the device.
- If this product is not functioning properly, email our support team at [support@usbgear.com](mailto:support@usbgear.com).

### Compliance Statement

View compliance within the product's respective Technical Data Sheet, found on the product's online listing.

### Technical Support

When you reach out to USBGear support, you'll find yourself in the hands of a solution-oriented and knowledgeable expert ready to answer whatever question you throw at them. If you ever need help with your product, visit [USBGear.com/support](http://USBGear.com/support) for support tickets, downloads, and other support resources. For the latest drivers, please visit [USBGear.com/download](http://USBGear.com/download).

### Product Standard Warranty

One (1) Year Warranty from Date of Purchase Invoice. USBGear will repair or replace any Product determined to be defective and which has been returned, at your risk and expense, to USBGear. Where USBGear determines in its sole judgment that repair or replacement of such Product is not reasonable, USBGear will keep the non-conforming Product and refund to you the amount you paid for such Product. Returned Products shall be subject to the balance of the Warranty Period otherwise applicable. Any reconditioned parts used by USBGear shall be subject to all the same provisions as otherwise applicable to new parts. THE FOREGOING DESCRIBES USBGear'S SOLE LIABILITY, AND YOUR SOLE REMEDY, FOR ANY BREACH OF WARRANTY. IF YOU DO NOT AGREE WITH THE TERMS OF THIS LIMITED WARRANTY, YOU MUST RETURN THE PRODUCTS UNUSED AND IN THEIR ORIGINAL CONTAINERS TO YOUR ORIGIN OF PURCHASE.

### Limitation of Liability

This Limited Warranty does not cover: (i) defects or damages resulting from natural causes, casualty, accident, misuse or abuse, neglect, alterations, service or repair by other than USBGear, including without limitation by you; (ii) improper installation or de-installation, operation or maintenance, improper connections with peripherals or other causes not arising out of defects in the materials or workmanship of Products; (iii) any Product for which the warranty sticker has been removed, modified or defaced; (iv) normal wear and tear; (v) damage to or loss of repaired or replaced Products during shipping by USBGear except when such damage or loss is caused by poor or inadequate packaging by USBGear; or (vi) Products purchased outside the United States. UNDER NO CIRCUMSTANCES WILL USBGear BE LIABLE FOR ANY LOSS OF USE, INTERRUPTION OF BUSINESS OR ANY INDIRECT, SPECIAL, INCIDENTAL, PUNITIVE OR CONSEQUENTIAL DAMAGES OF ANY KIND (INCLUDING LOST PROFITS) REGARDLESS OF THE FORM OF ACTION WHETHER IN CONTRACT, TORT (INCLUDING NEGLIGENCE), STRICT PRODUCT LIABILITY OR OTHERWISE, EVEN IF USBGear HAS BEEN ADVISED OF THE POSSIBILITY OF SUCH DAMAGES. IN NO EVENT SHALL THE TOTAL LIABILITY OF USBGear HEREUNDER EXCEED THE GREATER OF \$50.00 OR THE AMOUNT YOU ACTUALLY PAID FOR THE PRODUCT GIVING RISE TO SUCH LIABILITY,

REGARDLESS OF THE CAUSE OF ACTION, IN CONTRACT, TORT, STRICT LIABILITY OR OTHERWISE. NOT ALL JURISDICTIONS ALLOW SUCH LIMITATIONS OF DAMAGES SO THE FOREGOING LIMITATIONS MAY NOT APPLY TO YOU.

© 2022 USBGear. All Rights Reserved. All products and accompanying digital documentation including images are the property and / or trademarks of USBGear. USBGear are continuously improving upon its products. Product specifications are subject to change without notice.